

Atoll Pool Float

Assembly | User Guide

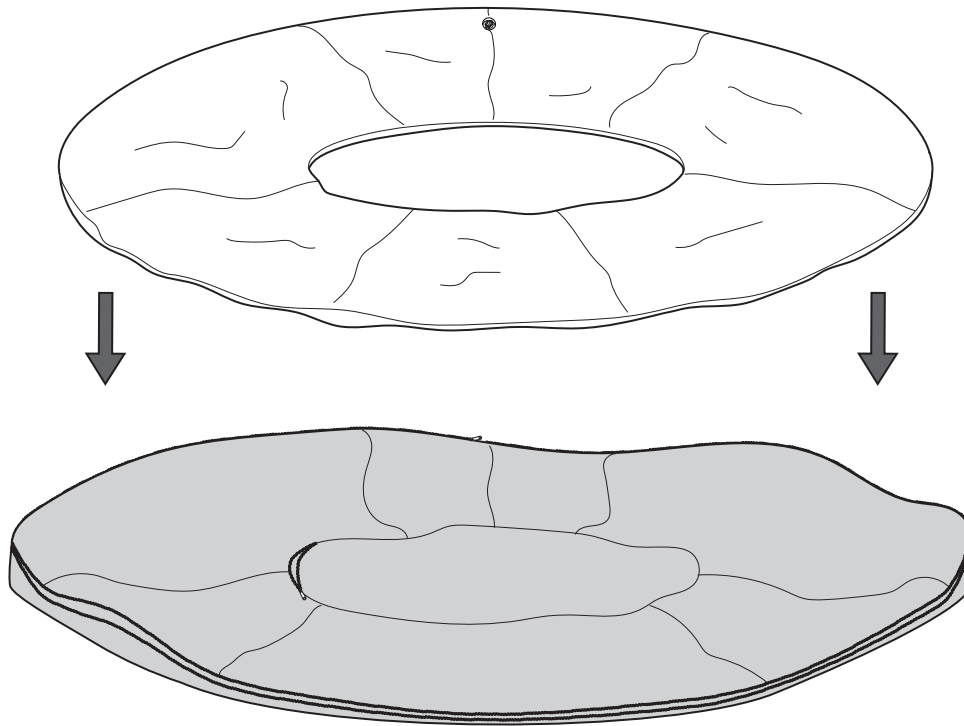
One person required for safe assembly

Opening Boxes:

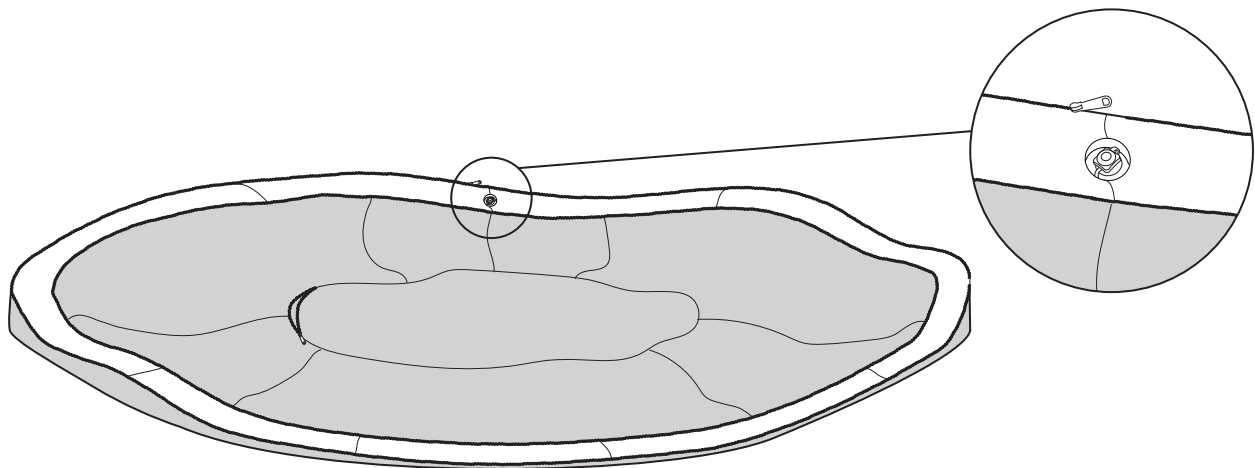
DO NOT use a knife to open the packaging as you may damage your pool float. Peel off the tape, then lift & separate the cardboard flaps to open.

Assemble your pool float by following the instructions below.

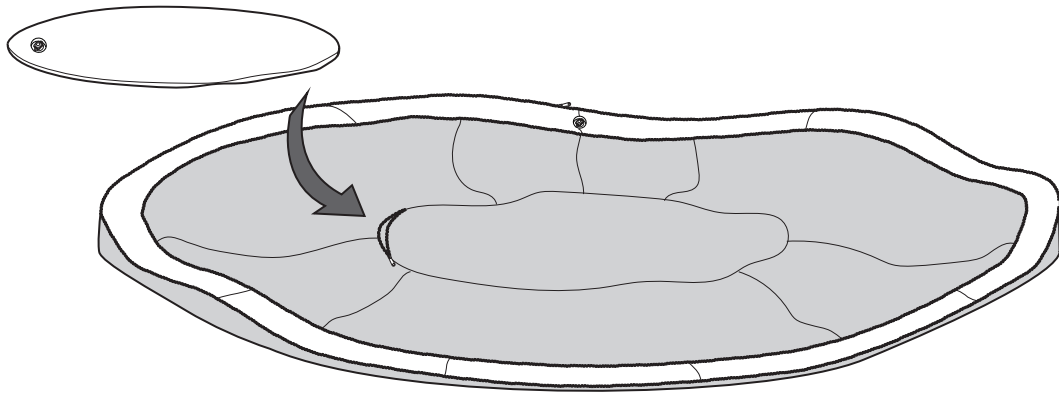
1 Inflation



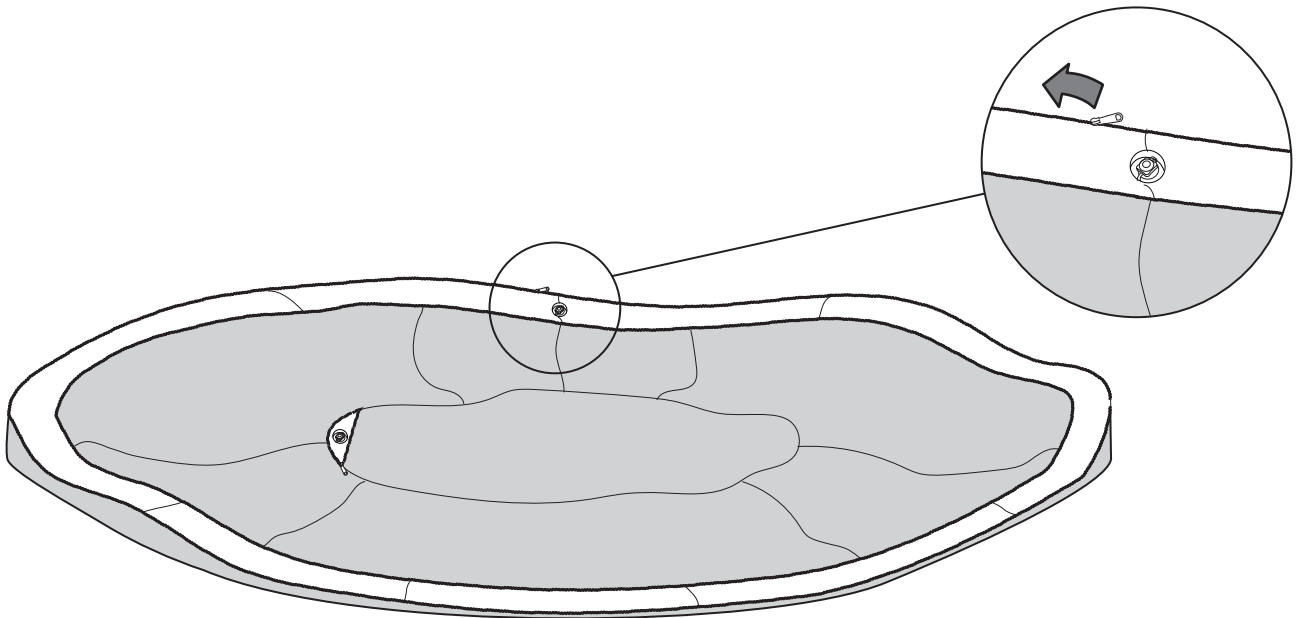
2



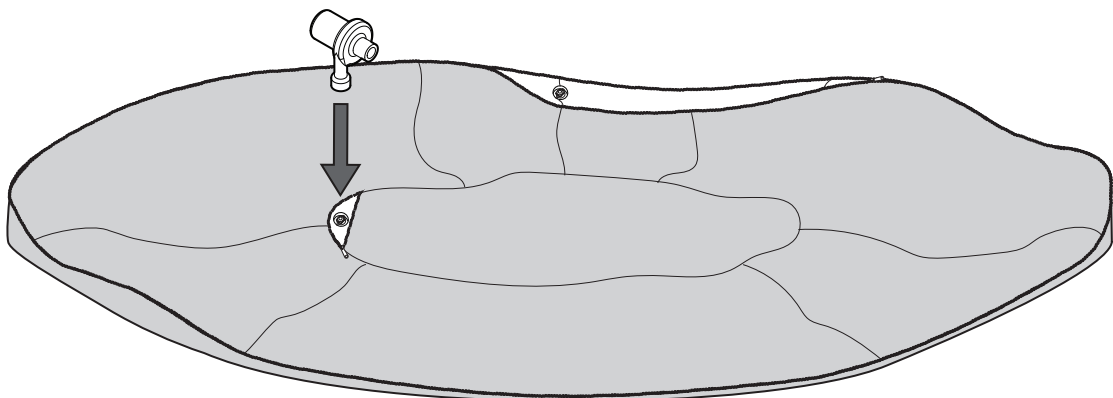
3



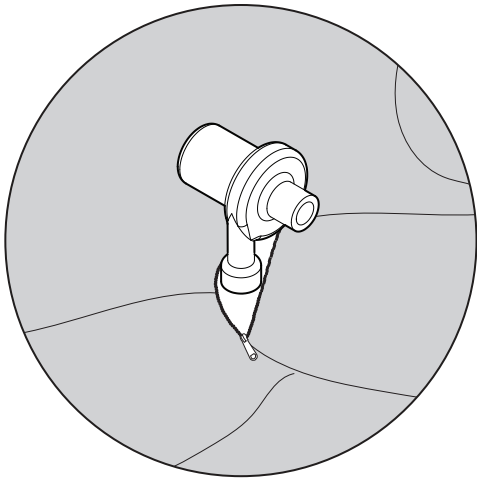
4



5



6



WARNING

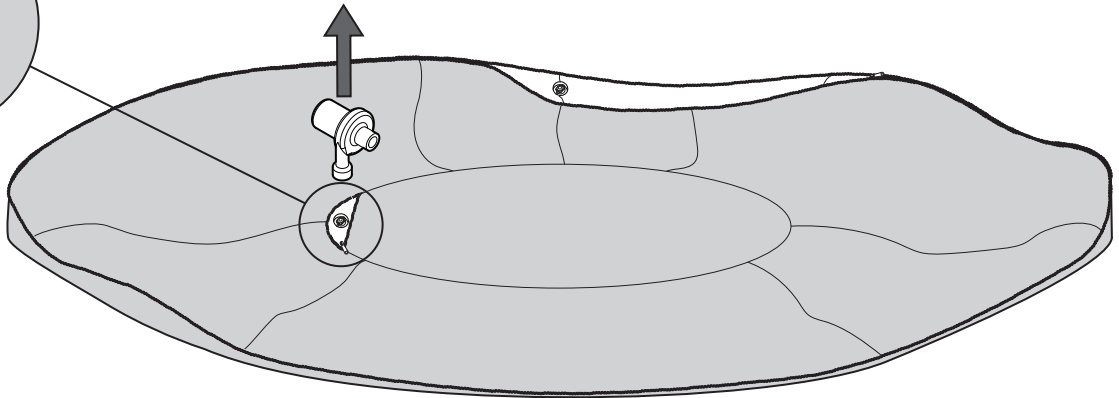
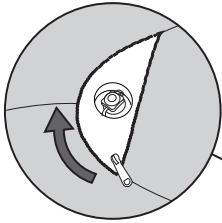
Please ensure you read the **Air Pump User Guide | Safety Manual** (provided with the product), before operating the air pump.

To download the online manual please visit: kingliving.com

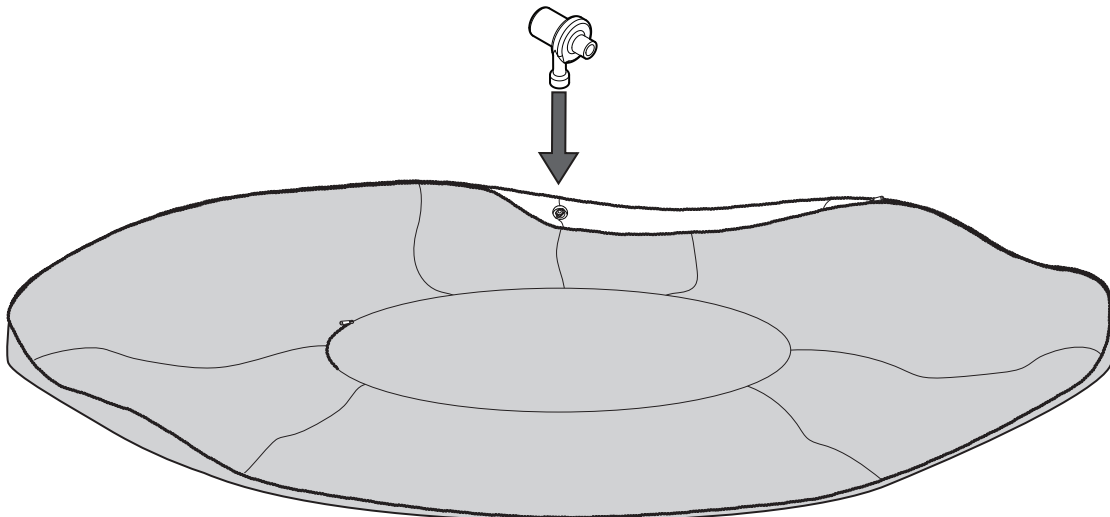
Operating Air Pump Safely:

- Connect air pump directly to electrical supply
- Ensure the valves are not obstructed
- Do not use or store air pump in wet conditions
- Do not use air pump when pool float is wet
- Never put hands/fingers into the air pump ports
- Protect eyes while operating air pump:
 - never look into air pump ports
 - never point air pump ports towards eyes
- Keep air pump out of reach of children
- Do not leave air pump unattended when in use
- Ensure inflation/deflation zone is clean & dry and ensure that small particles (e.g. sand, or stones etc) can't be sucked into the air pump ports

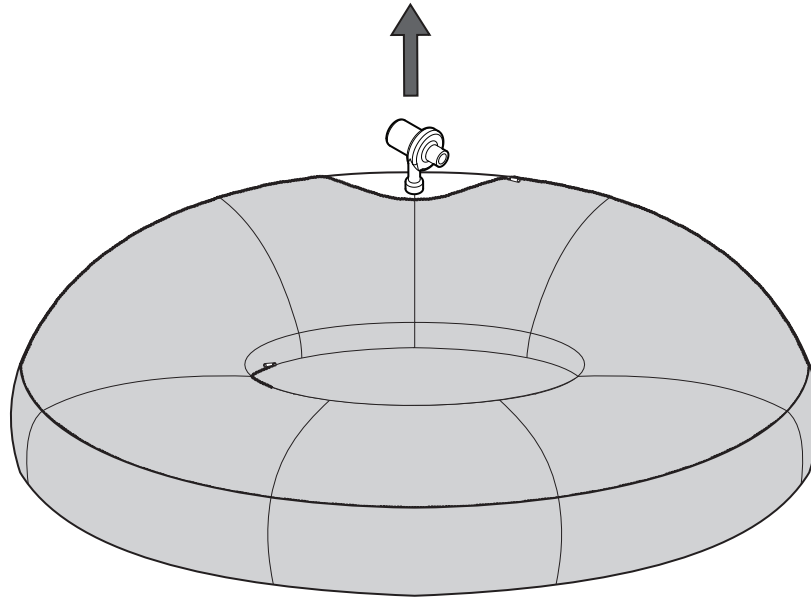
7



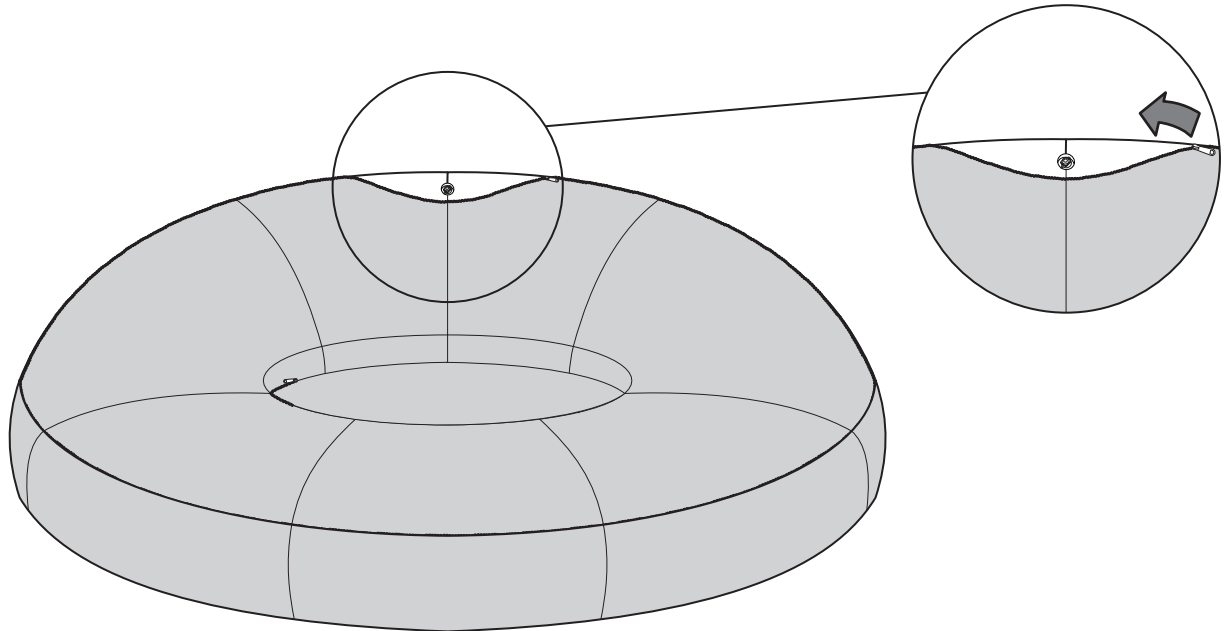
8



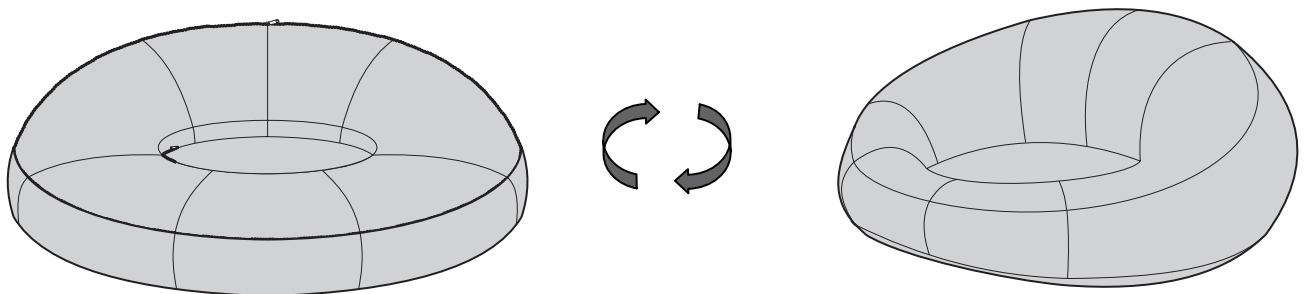
9



10

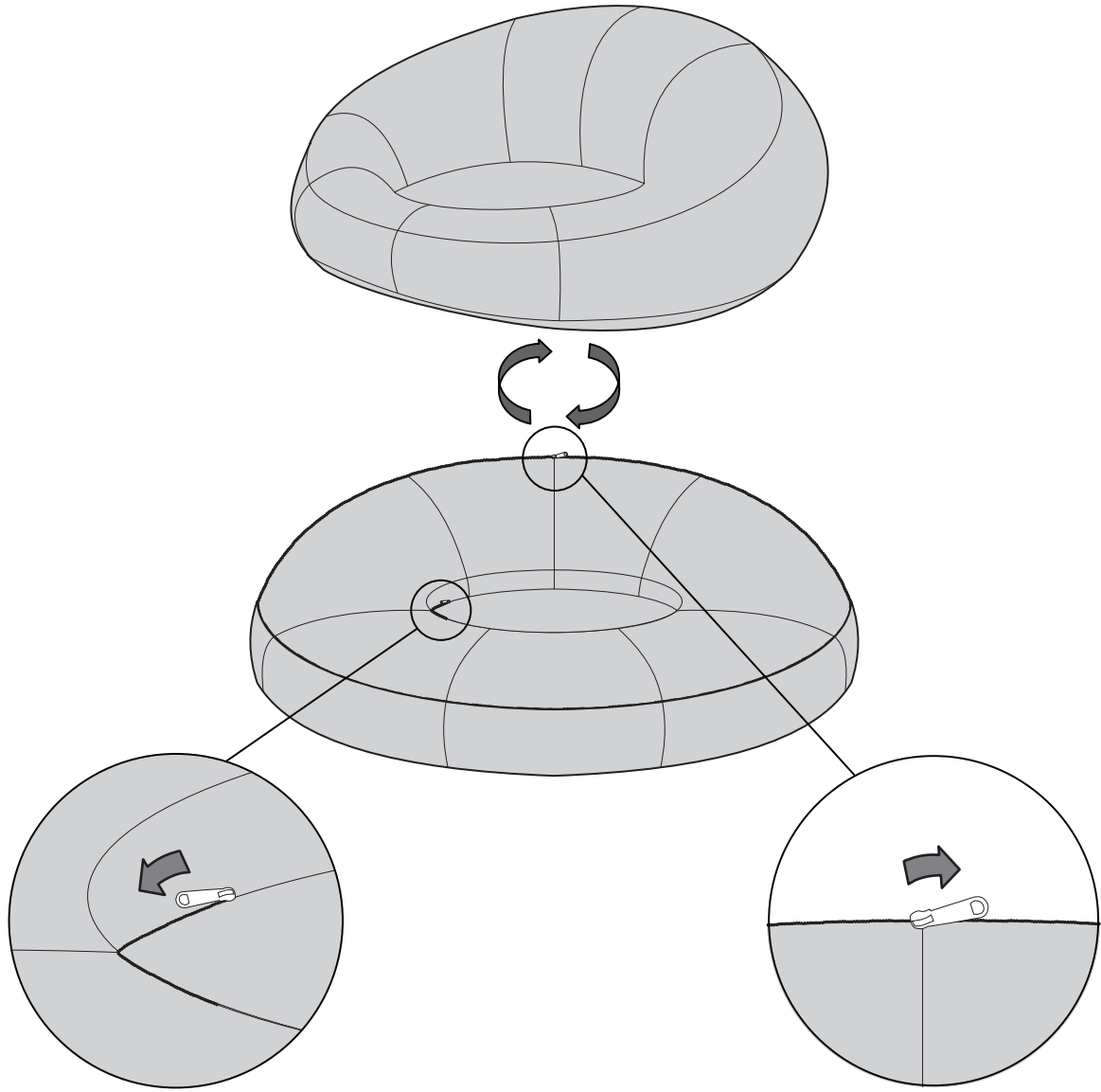


11

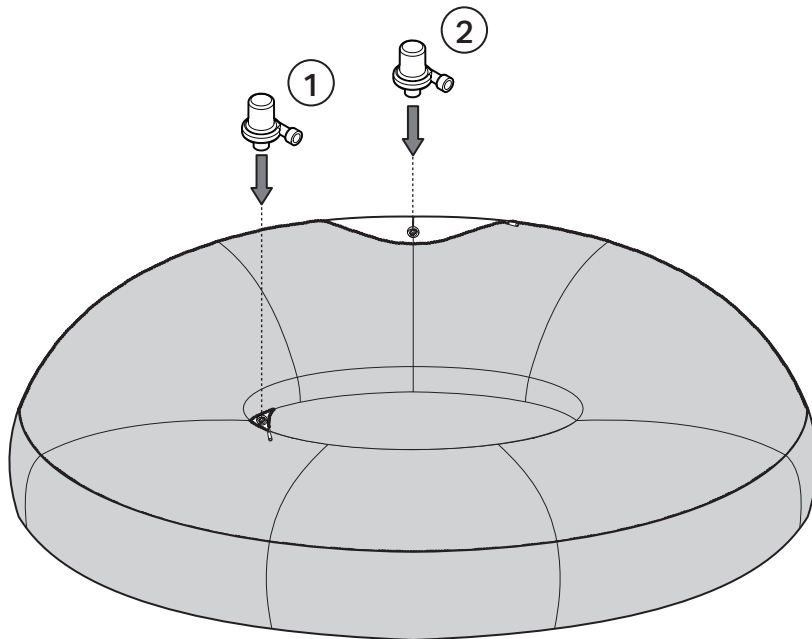


12

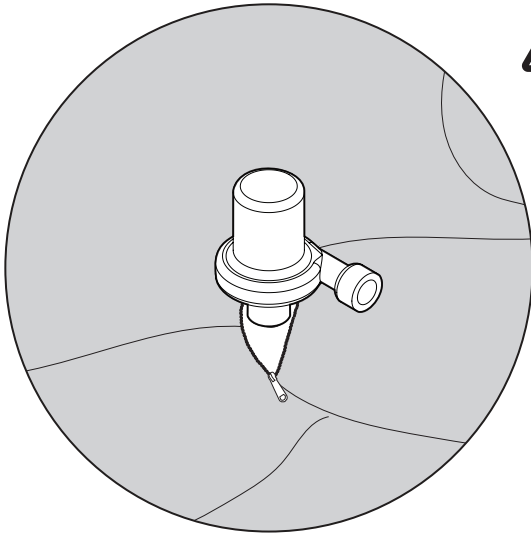
Deflation



13



14



WARNING

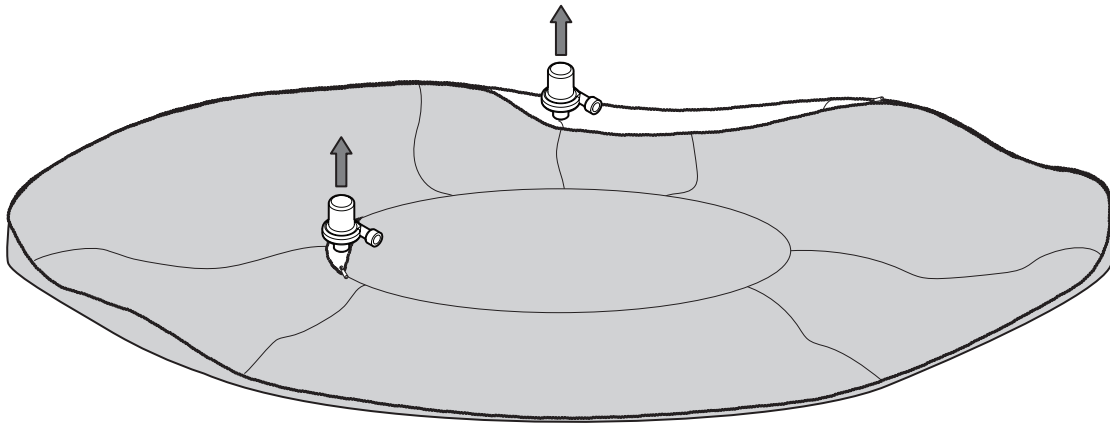
Please ensure you read the **Air Pump User Guide | Safety Manual** (provided with the product), before operating the air pump.

To download the online manual please visit: kingliving.com

Operating Air Pump Safely:

- Connect air pump directly to electrical supply
- Ensure the valves are not obstructed
- Do not use or store air pump in wet conditions
- Do not use air pump when pool float is wet
- Never put hands/fingers into the air pump ports
- Protect eyes while operating air pump:
 - never look into air pump ports
 - never point air pump ports towards eyes
- Keep air pump out of reach of children
- Do not leave air pump unattended when in use
- Ensure inflation/deflation zone is clean & dry and ensure that small particles (e.g. sand, or stones etc) can't be sucked into the air pump ports

15



Pool Float

Product Warnings | Safety Guide



Please ensure you read, understand and follow the product warnings and safety guidelines before using your pool float.

These product warnings and safety guidelines highlight some common risks associated with recreational pool floats, however these product warnings and safety guidelines do not cover all associated risks or dangers.

Caution and general water-safety are advised at all times while using this product.

Not following these guidelines could result in drowning or serious injury.

Product Warnings | Safety Guide:

- Pool float is for recreational use only
 - for swimmers aged 14+ years
- Pool float is not a life-saving device
 - no protection from drowning
- Do not use in high winds
- Pool float is for use in swimming pools with clean water
 - do not use in rapid/dangerous currents, open water or ocean tides
 - water should be clear of debris and obstructions
- Do not allow jumping/diving onto, or from pool float
- Do not exceed maximum weight: 120kg (264.5lb)
- Distribute load (person/s) evenly
- Do not use if puncture or leak detected
- Do not use under the influence of alcohol or drugs

Maintenance:

- Check seams and valves regularly for tears and leaks
- Clean the pool float after each use with clean water (e.g. garden hose) and air-dry thoroughly before storage

Repair:

- Patch the pool float if a tear or leak is detected
- Ensure the pool float is dry before patching
- Cut a section of the repair patch large enough to overlap the damaged area by ~15mm (.75")
- Round-off the edges, place the patch over damaged area and press down firmly
- Place a weight on top to hold patch securely in place
- Do not inflate for one hour after patching
- If patch doesn't hold
 - try silicon or polyurethane-based glue as used for repairing outdoor equipment (e.g. mats, tents, and shoes etc), to secure the patch



K I N G

King Living Pool Float
Air Pump
User Guide | Safety Manual

DT2023143-V1

kingliving.com

King Living Pool Float Air Pump

User Guide | Safety Manual

K I N G

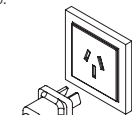
Power Supply: AC 220V~240V.

Air pump is for inflation and deflation of King Living pool floats – high-volume, low-pressure. The air pump is not designed for continuous use. Extended operation (over 10 minutes) may cause overheating and damage the air pump.



WARNING: To reduce the risk of electrical shock:

- Connect air pump directly to electrical supply rather than via an extension cord.
- Do not use air pump if the electrical cord is damaged;
 - contact a qualified electrician to replace damaged cord immediately.
- Do not use or store air pump in wet conditions.
- Do not use air pump when pool float is wet.



CONNECT DIRECTLY TO ELECTRICAL SUPPLY

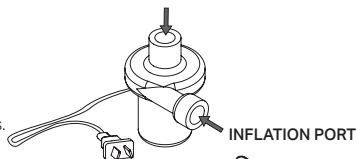
Carefully follow the **Assembly Instructions** for your pool float. Do not obstruct the air pump's inflow and outflow vents – keep them well-ventilated during operation. For faster inflation and to reduce motor operating time, ensure you use the appropriate adapter for the valve.

- Do not over-inflate pool float.
- Do not exceed the recommended pool float pressure (0.03 bar) as injury could result from a burst pool float.

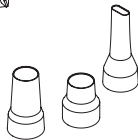
Operating Air Pump Safely:

- Always use the correct air pump ports:
 - use the inflation (side) port for inflation;
 - use the deflation (top) port for deflation.
- Ensure the valves are not obstructed.
- Do not use, or store air pump in wet conditions.
- Do not use air pump when pool float is wet.
- Never put hands/fingers into the air pump ports.
- Protect eyes while operating air pump:
 - never look into air pump ports;
 - never point air pump ports towards eyes.
- Keep air pump out of reach of children
- Do not leave air pump unattended when in use.
- Ensure inflation/deflation zone is clean & dry and ensure that small particles (e.g. sand, or stones etc) can't be sucked into the air pump ports.

DEFLATION PORT



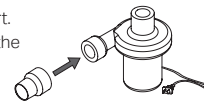
INFLATION PORT



ADAPTERS

Inflating Pool Float:

- Connect air pump to 220V-240V AC electrical supply.
- Join appropriate adapter to the air pump inflation (side) port.
- Join air pump inflation (side) port (with adapter; if using) to the pool float's valve.
- Switch ON 'I' to inflate.
- Switch OFF 'o' to stop.
- Ensure valves and ports are not obstructed;
 - if valves/ports are obstructed, the motor may overheat and damage the air pump.
- Do not use the air pump deflation (top) port for inflation.



JOINING ADAPTER TO INFLATION PORT

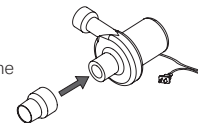
For large valves, the air pump may be fitted directly into the valve for faster inflation. For small valves, use the appropriate adapter inserted into the valve, or fit the air pump directly over the valve for faster inflation.

For faster inflation (screw-valves):

- unscrew the safe-bolt and inflate with the air pump directly in valve.
- when pool float inflated 80-90%, replace safe-bolt; remove the top section of safe-bolt and insert air pump port into valve to complete inflation.

Deflating Pool Float:

- Connect air pump to 220V-240V AC electrical supply.
- Open pool float's valve.
- Join appropriate adapter to air pump deflation (top) port
- Join air pump deflation (top) port (with adapter; if using) to the pool float's valve
- Switch ON 'I' to deflate.
- Switch OFF 'o' to stop.
- Ensure valves & ports are not obstructed;
 - if valves/ports are obstructed the motor may overheat and damage the air pump.
- Do not use the air pump inflation (side) port for deflation.



JOINING ADAPTER TO DEFLATION PORT

For faster deflation (screw-valves):

- Unscrew the safe-bolt to deflate pool float directly.

For faster inflation (small valves):

- Valve may be pinched with fingers to open, allowing air to escape and deflate pool float directly.