

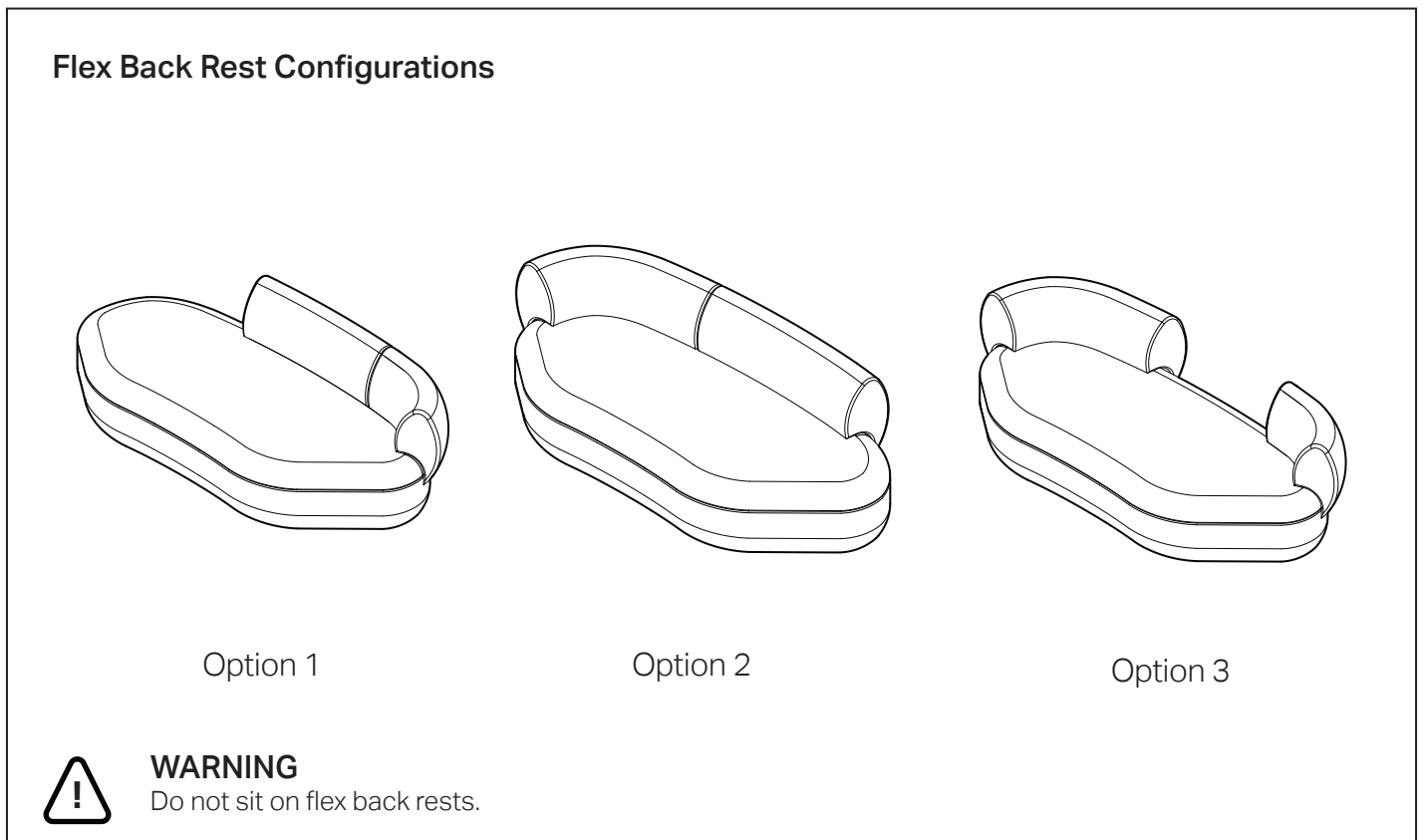
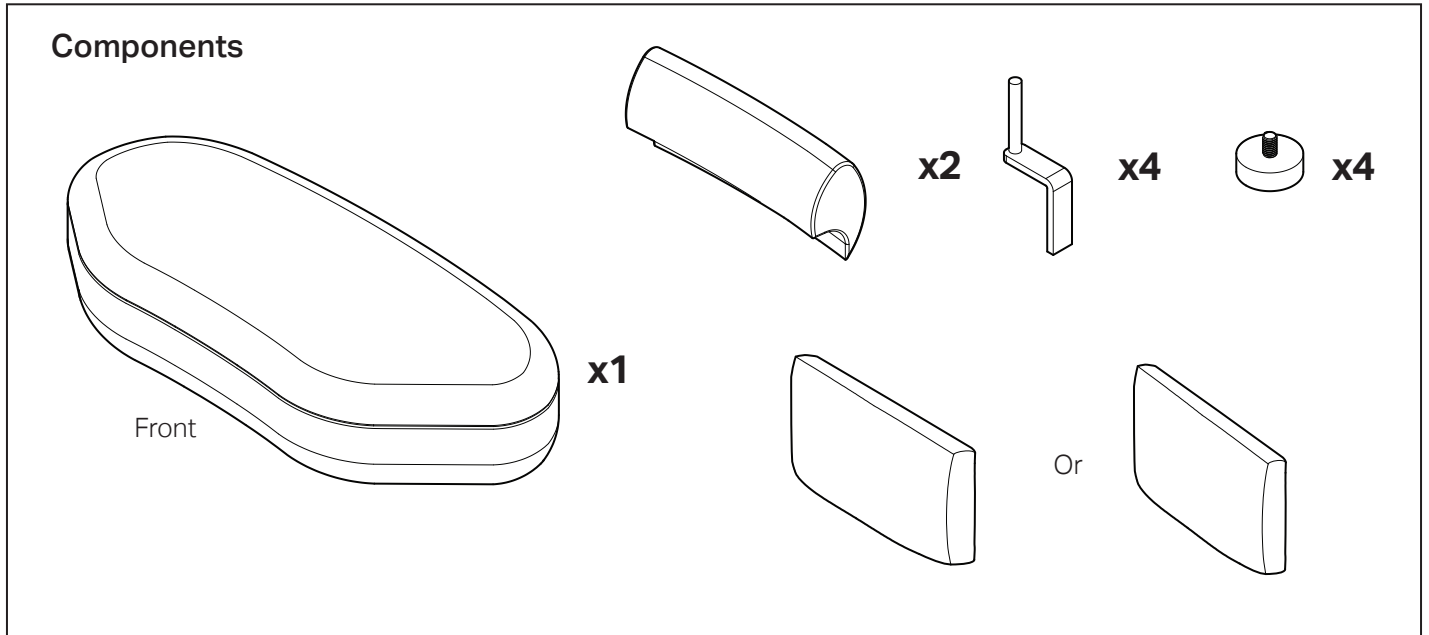
Assembly | User Guide

Two people are required for safe assembly

**Opening Boxes:**

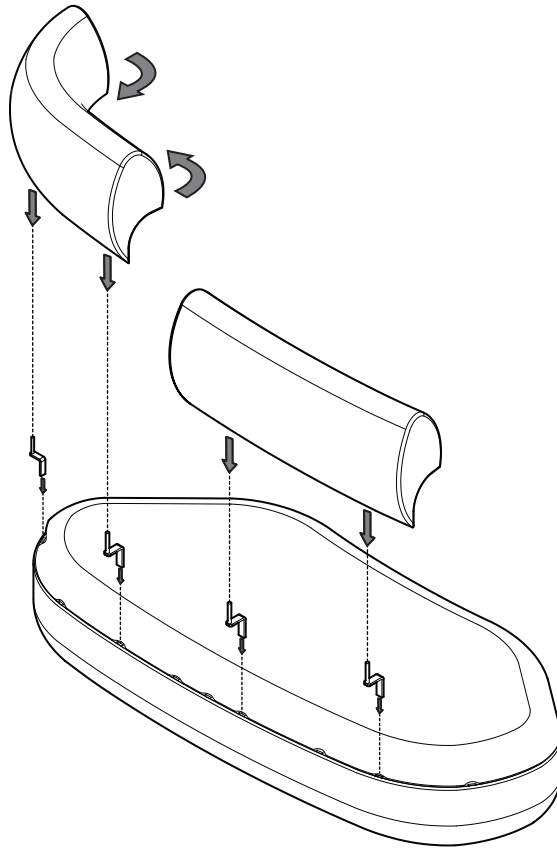
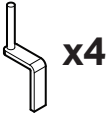
DO NOT use a knife to open the packaging as you may damage your furniture.  
Peel off the tape, then lift & separate the cardboard flaps to open.

Assemble your furniture by following the instructions below.



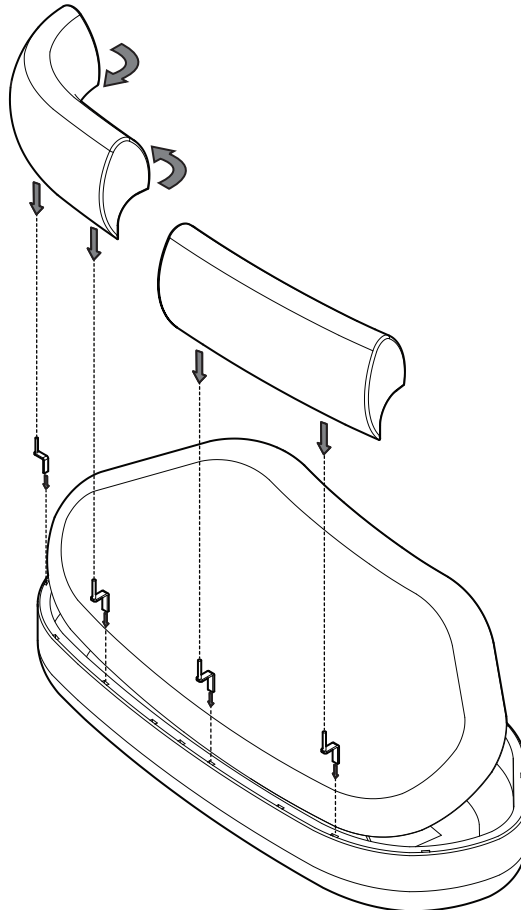
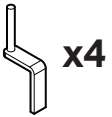
1

**Aura Assembly**  
Option 1



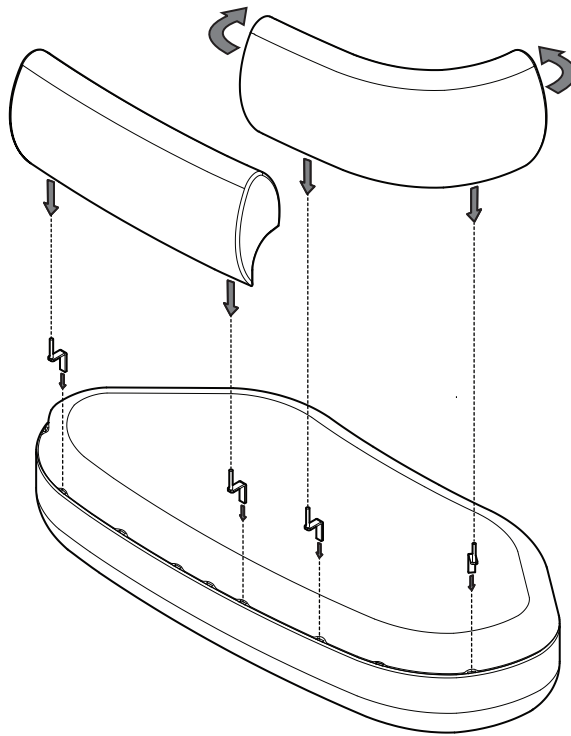
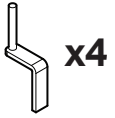
2

**Aura S Assembly**  
Option 1



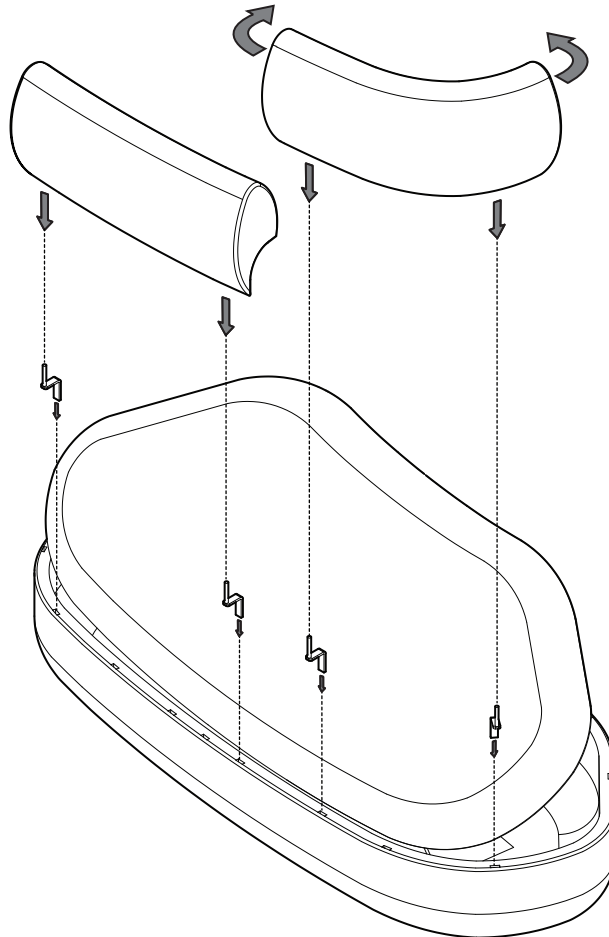
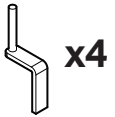
3

**Aura Assembly**  
Option 2



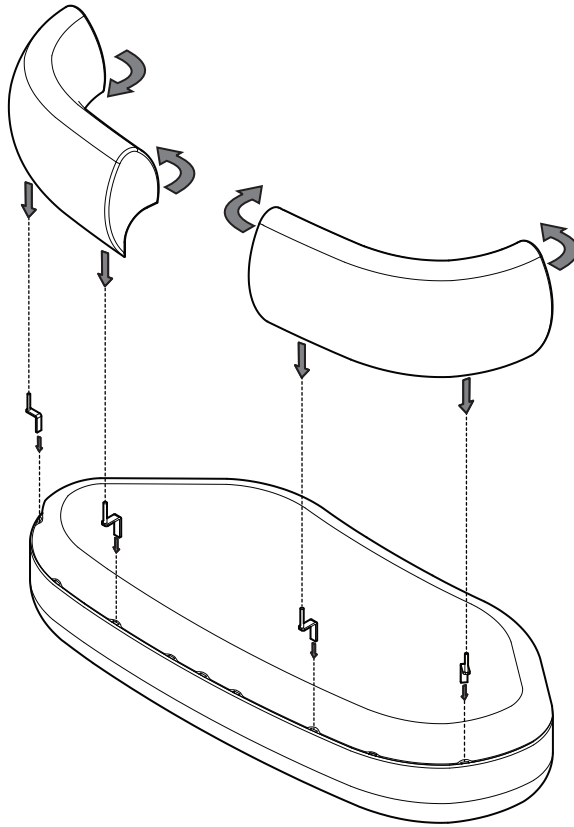
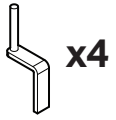
4

**Aura S Assembly**  
Option 2



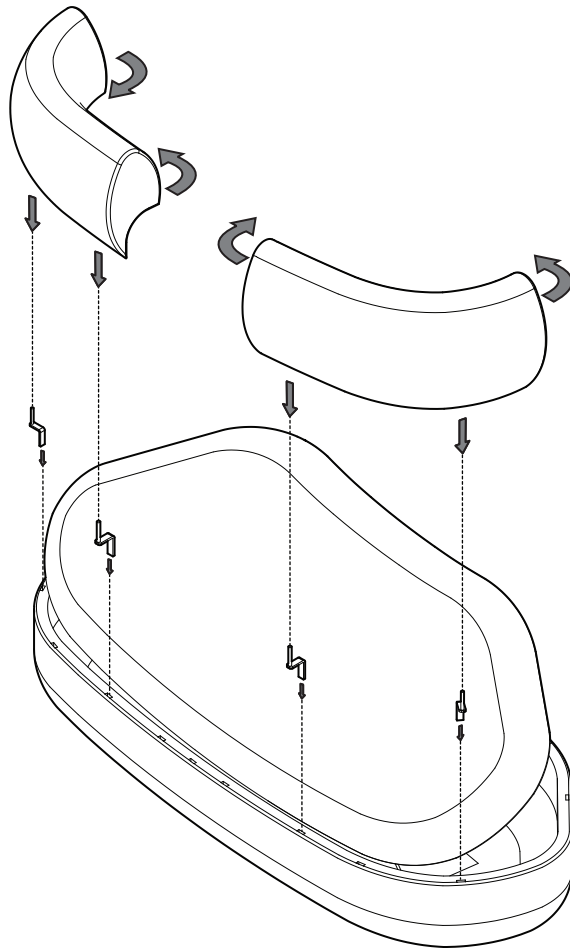
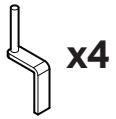
5

**Aura Assembly**  
Option 3



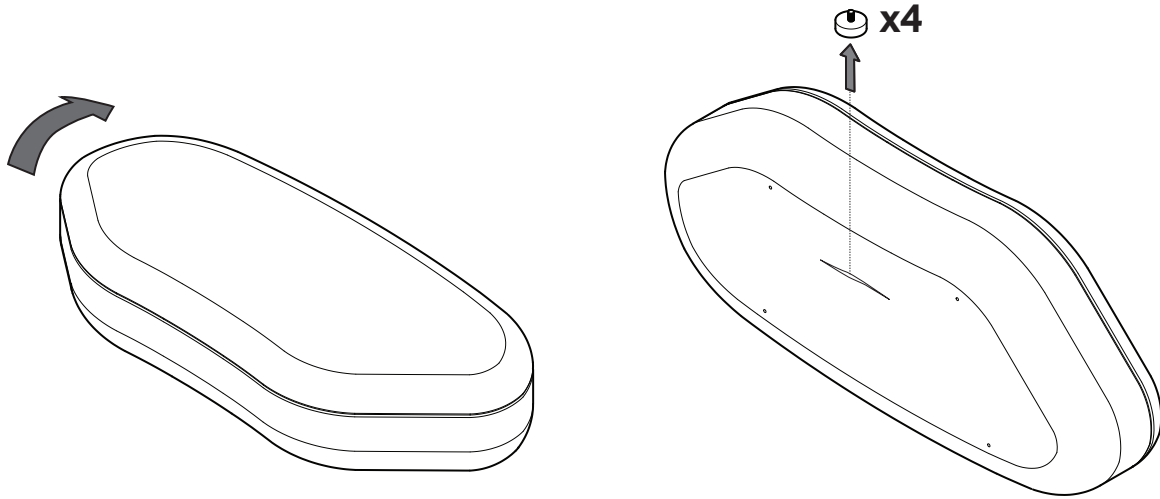
6

**Aura S Assembly**  
Option 3



7

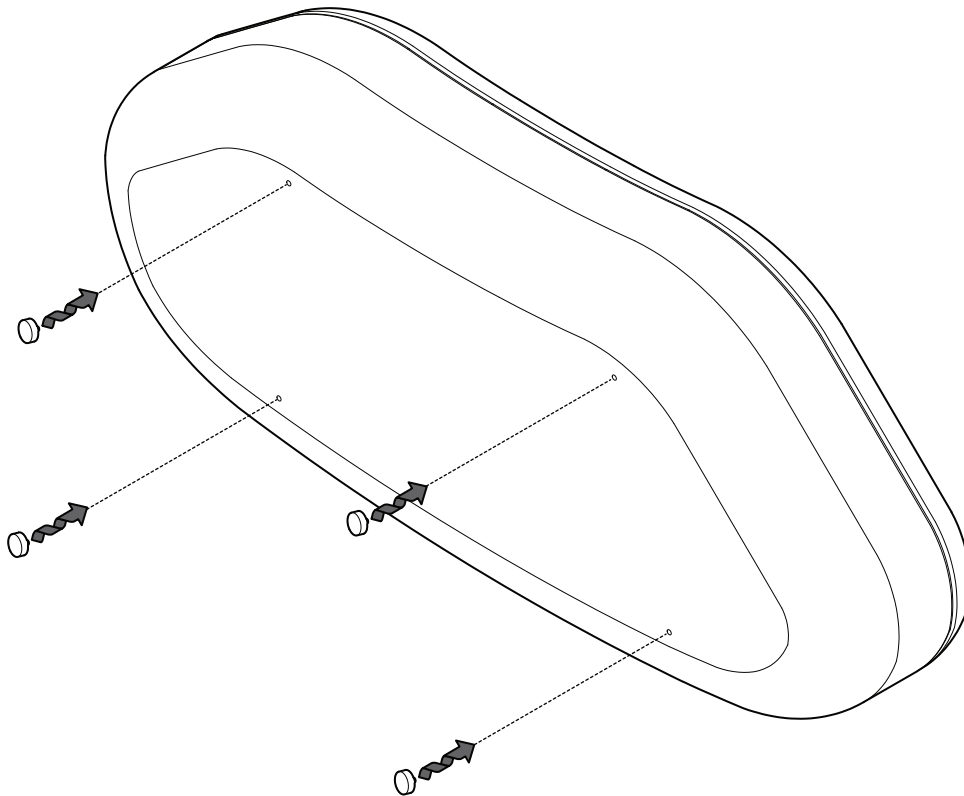
### Foot Installation



Aura Feet located in zip pocket under base. Aura S Feet located in storage bay.

8

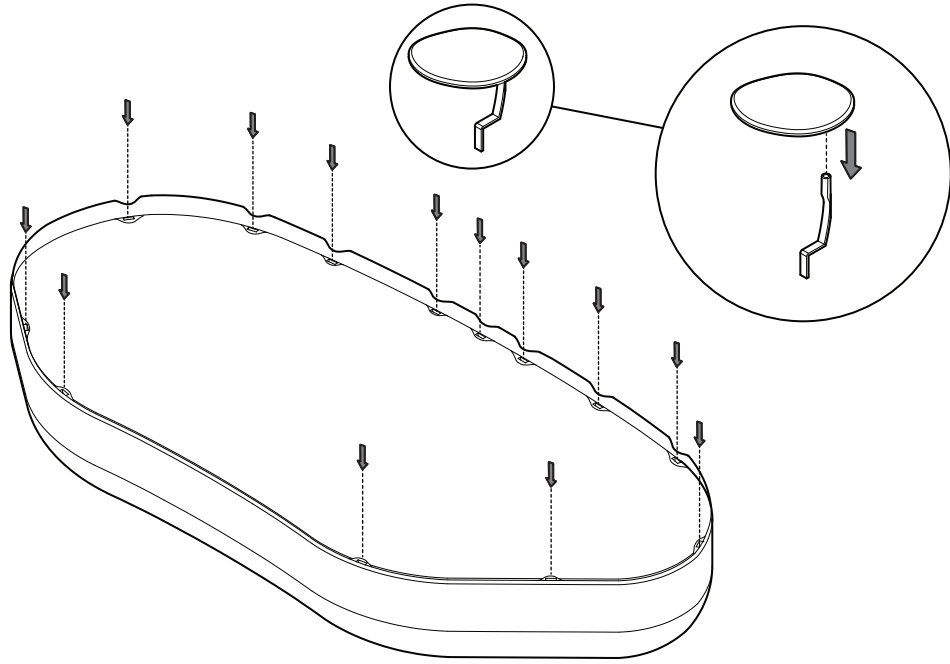
### Foot Installation



9

**Accessories**

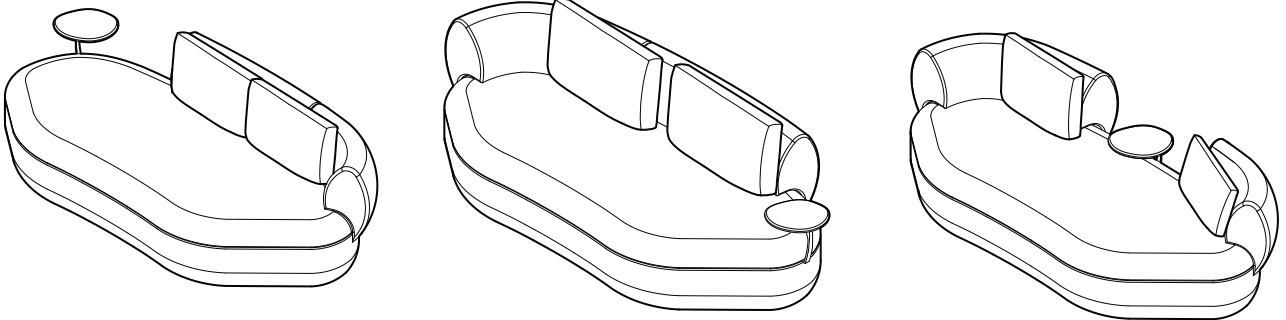
Table - Optional



10

**Accessories**

Table and Cushions

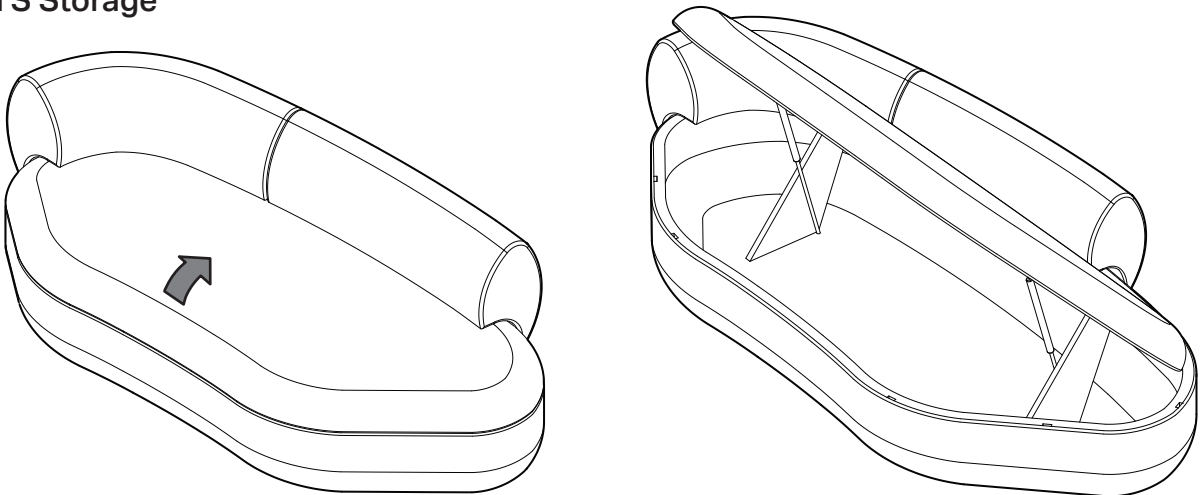


**WARNING**

Remove tabletop before opening storage compartment

11

**Aura S Storage**



## Aura Deep Sofa

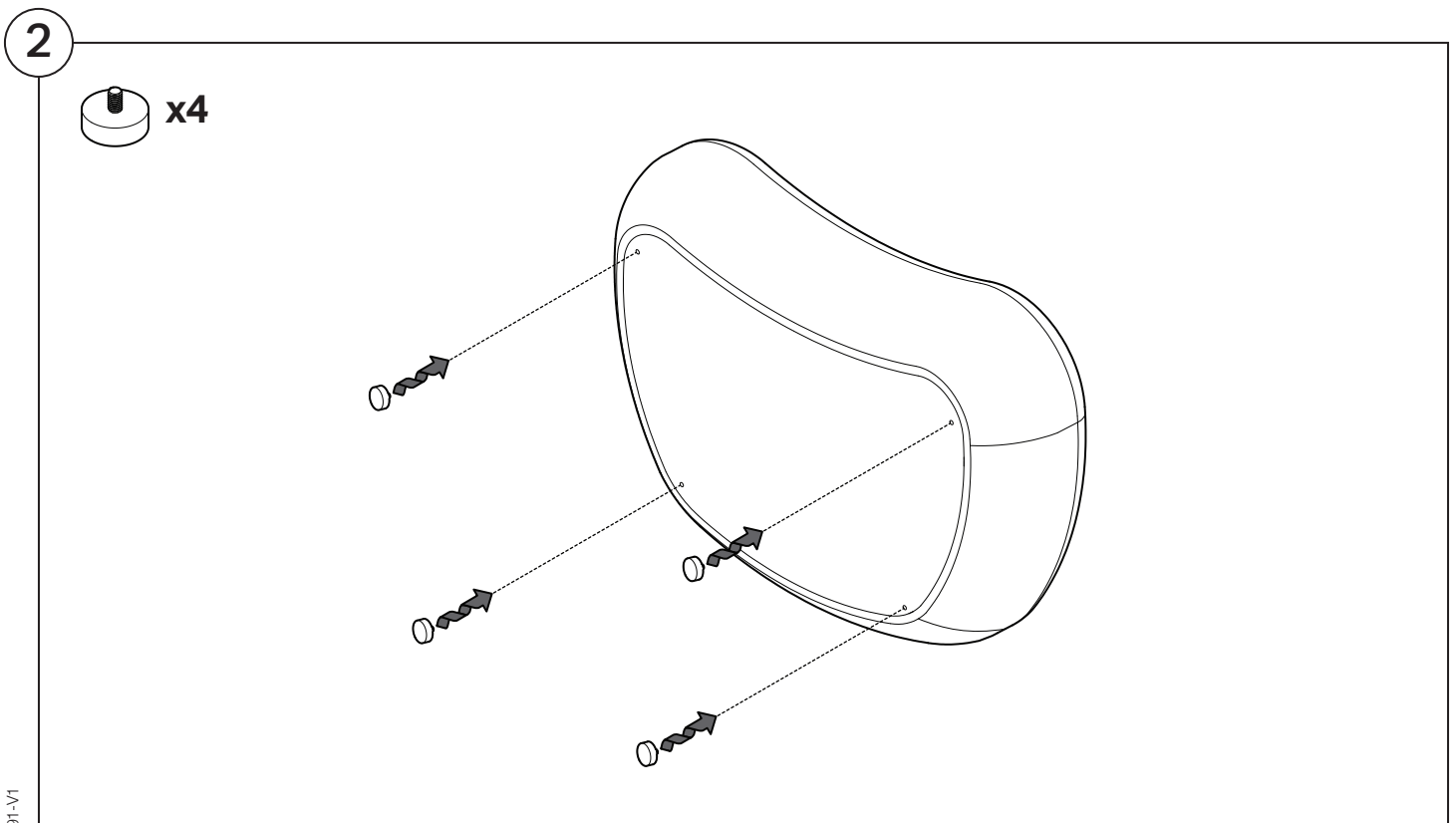
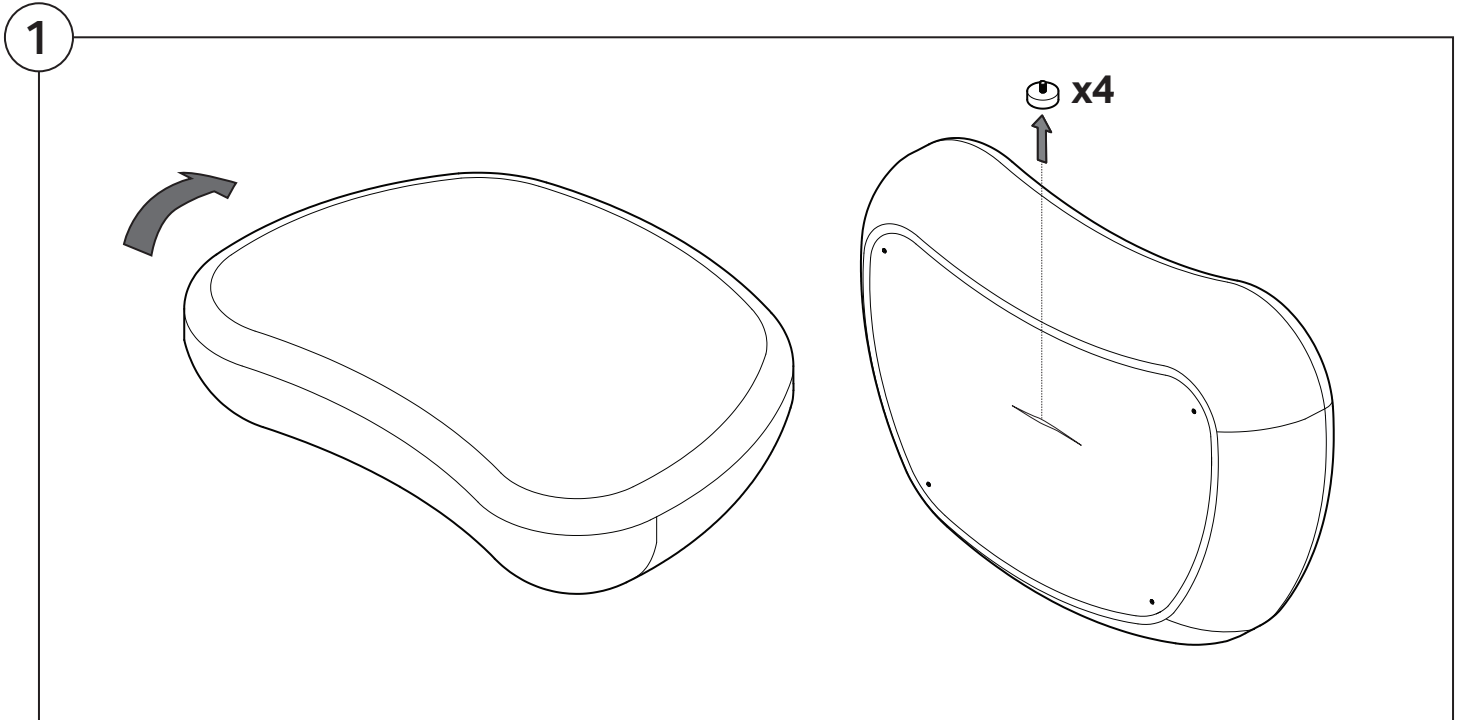
### Assembly | User Guide

Two people are required for safe assembly

#### Opening Boxes:

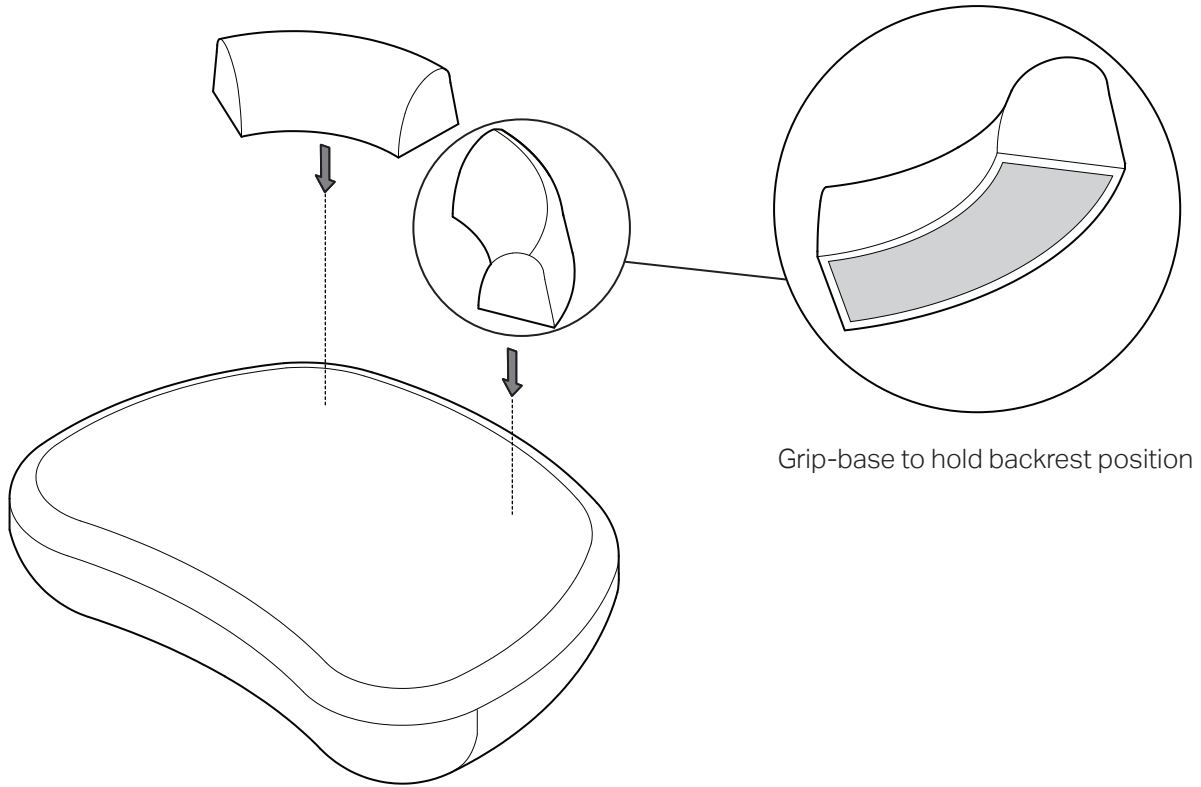
DO NOT use a knife to open the packaging as you may damage your furniture.  
Peel off the tape, then lift & separate the cardboard flaps to open.

Assemble your furniture by following the instructions below.



3

### Aura Omni Positional Backrest



4

### Aura Omni Positional Backrest – configurations

Free-positioning without brackets or attachments

