

## Encore Bed II

### Assembly

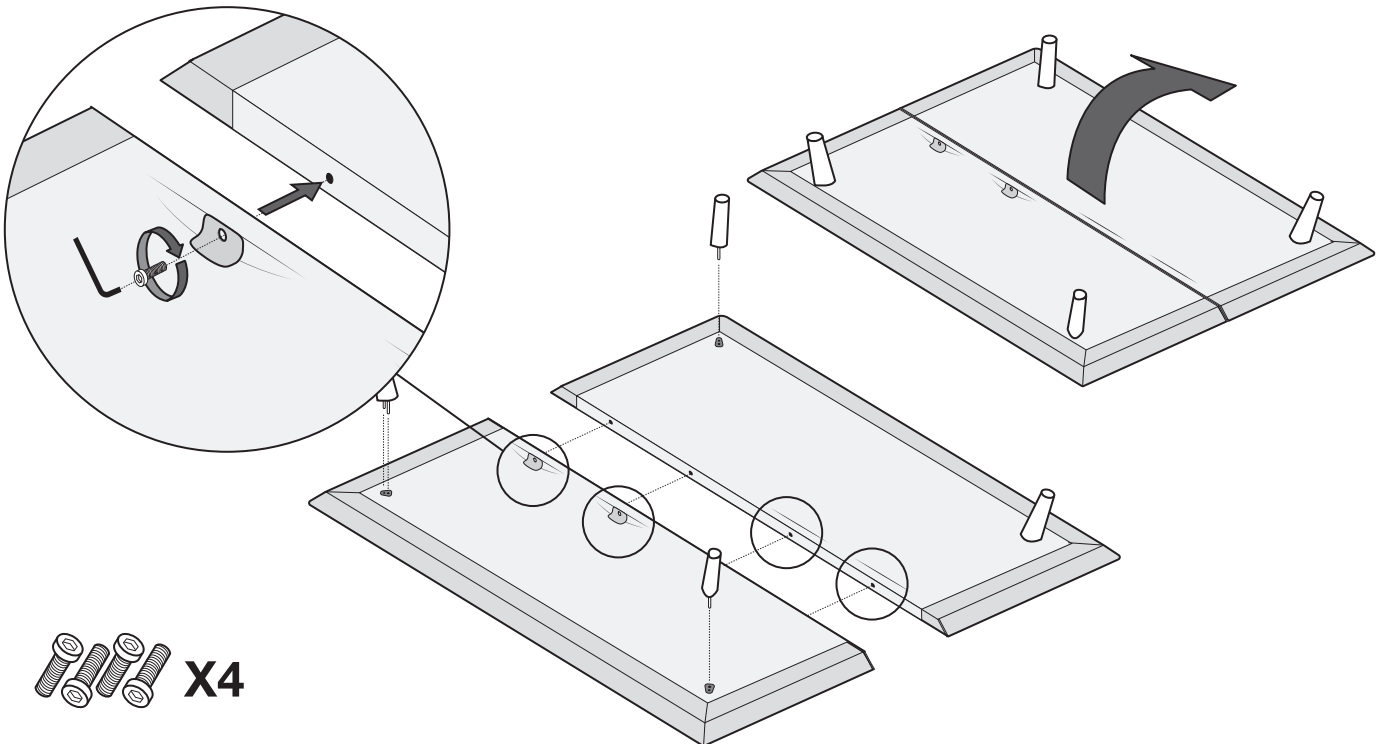
Two People Are Required For Safe Assembly.

#### Opening Boxes:

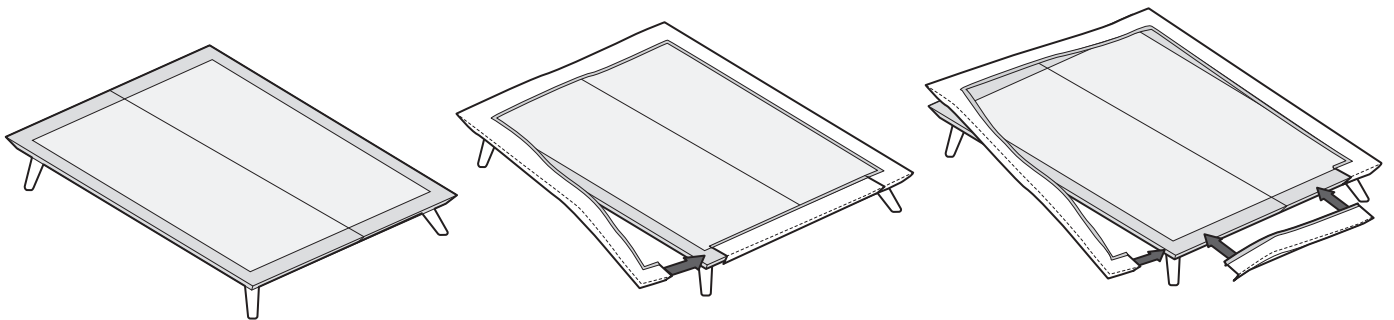
DO NOT use a knife to open the King boxes as you may damage your furniture. Peel off the tape, then lift & separate the cardboard flaps to open.

Assemble your furniture by following the instructions below.

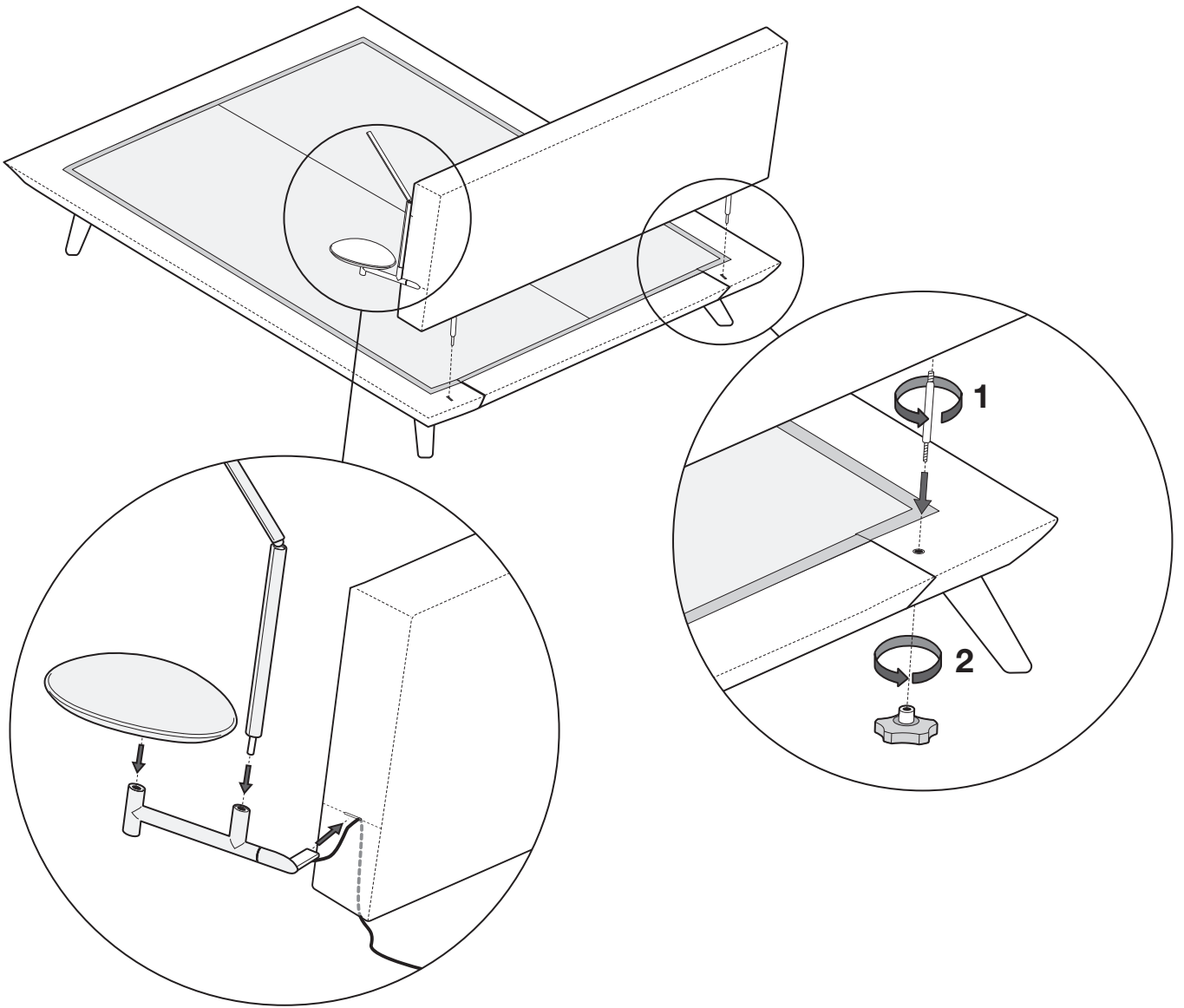
1



2



3



4

