

Jasper Bed

Assembly Instructions – with Charging Table

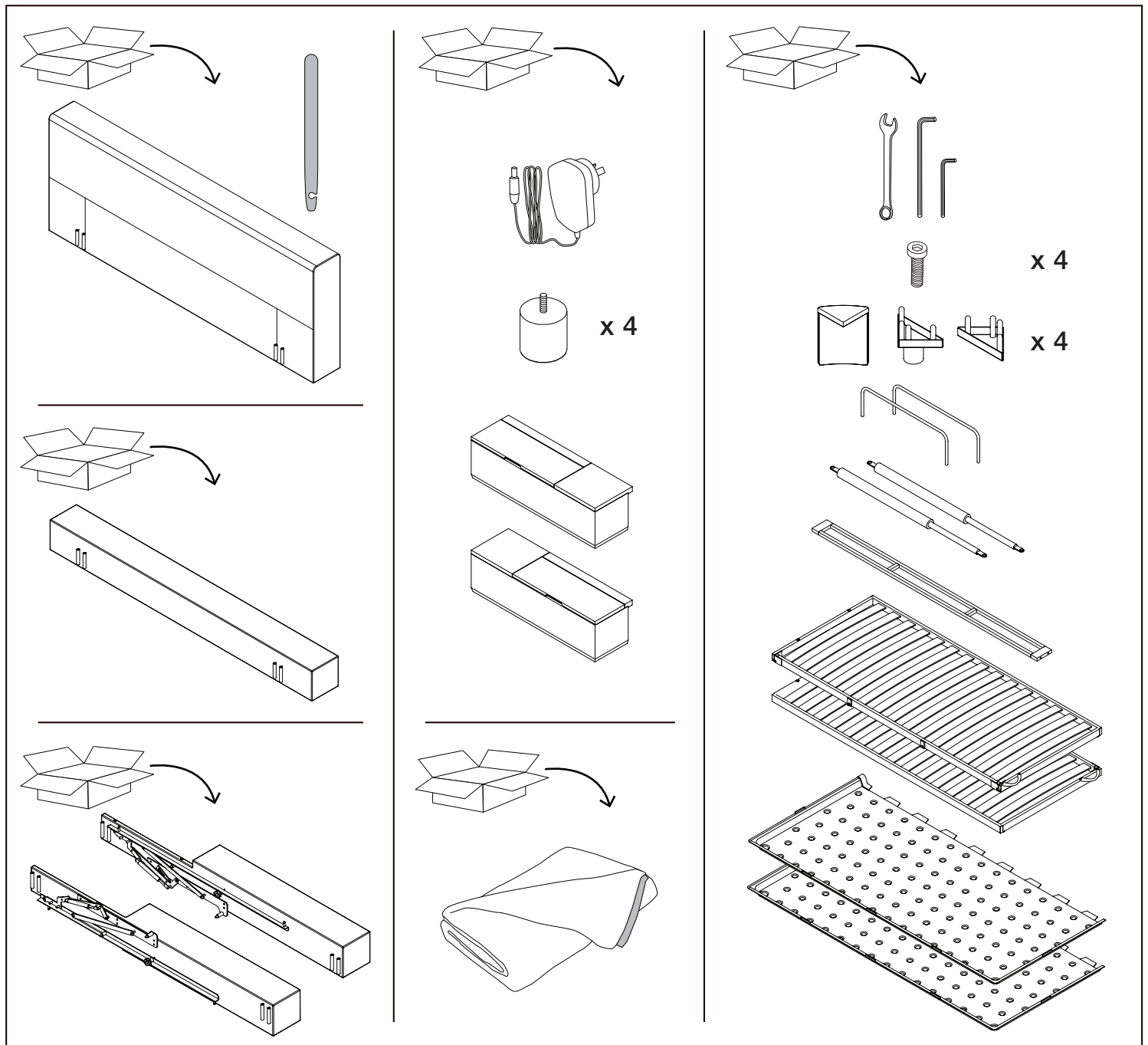
KING[®]
L I V I N G

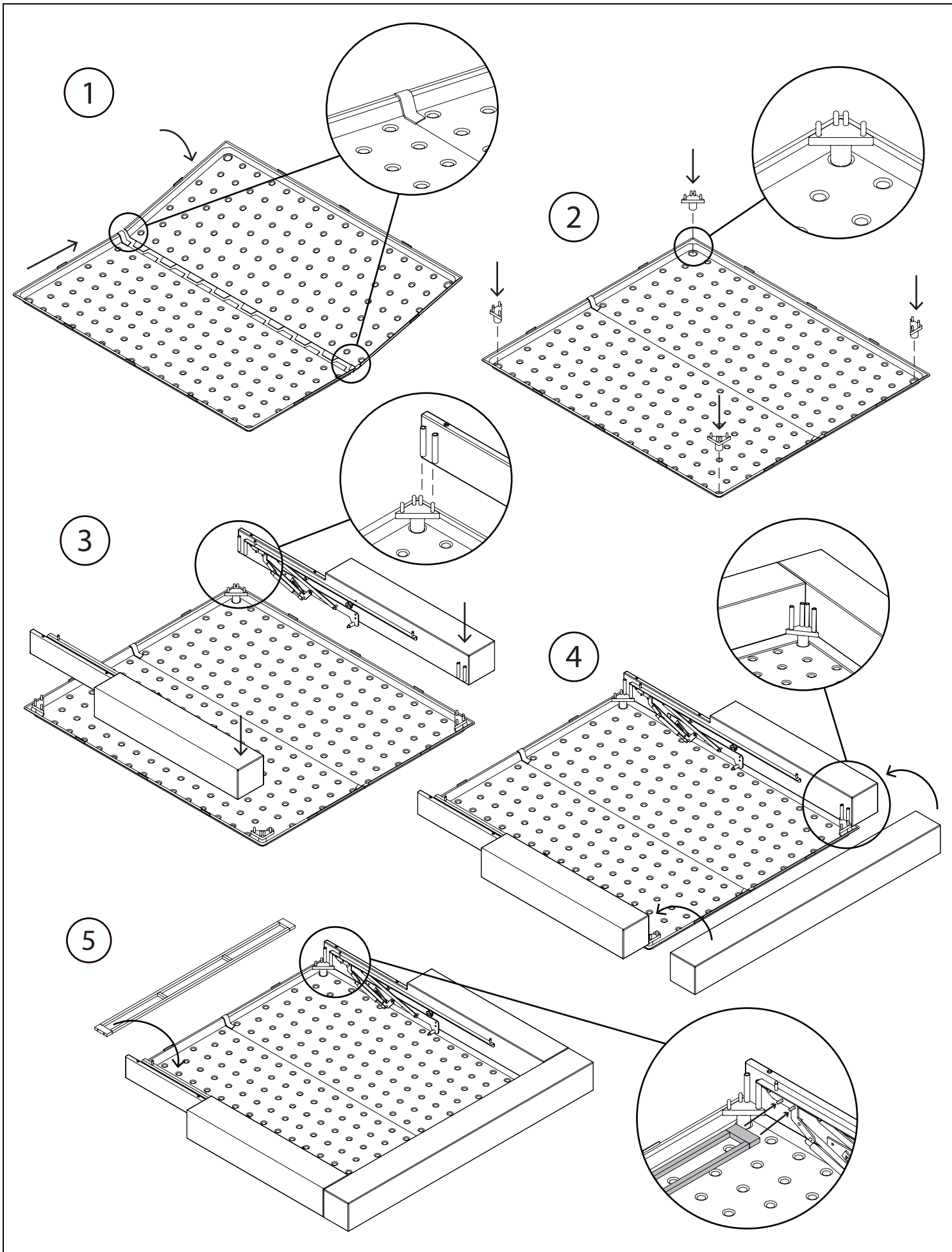
Two people are required for safe assembly.

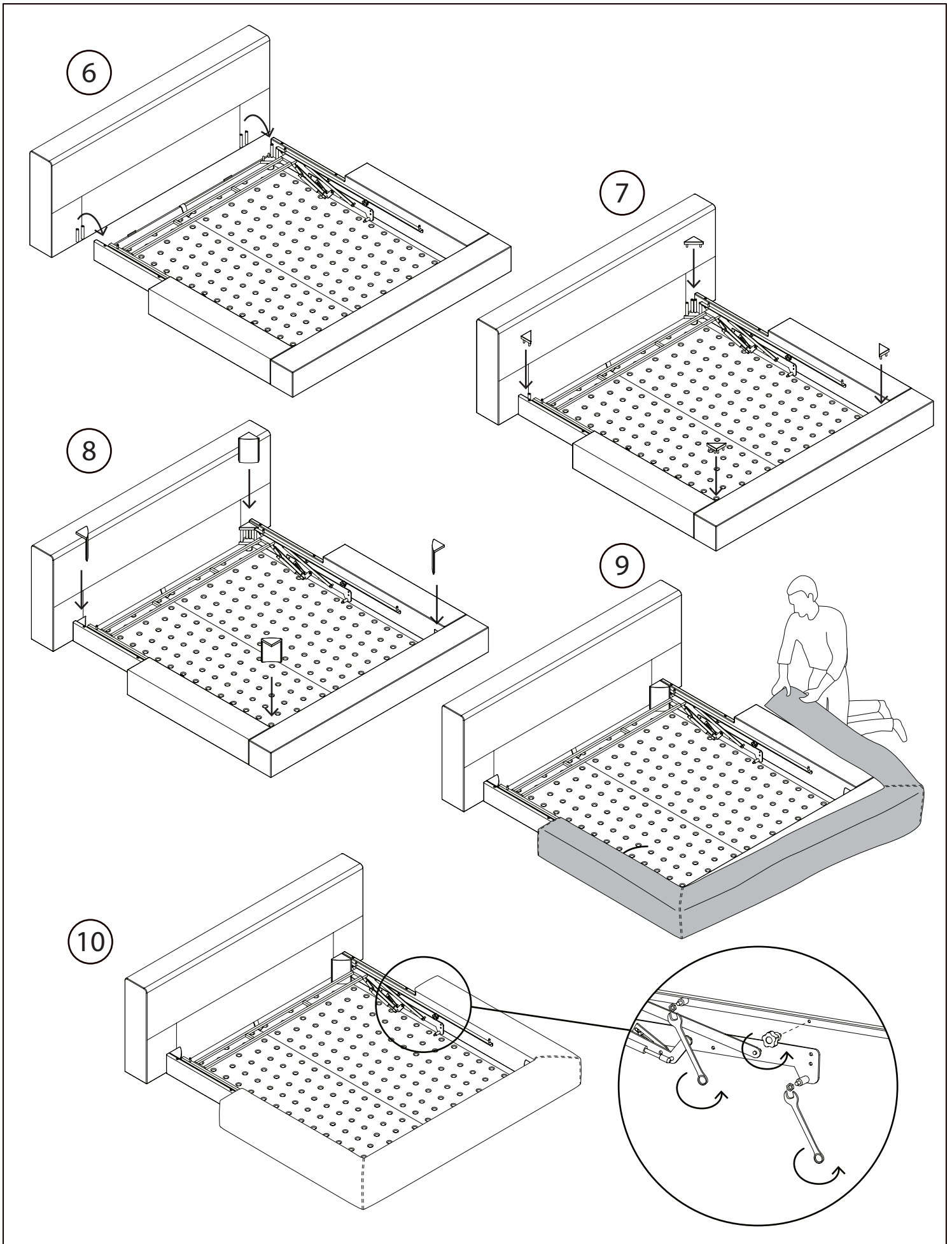
Opening Boxes

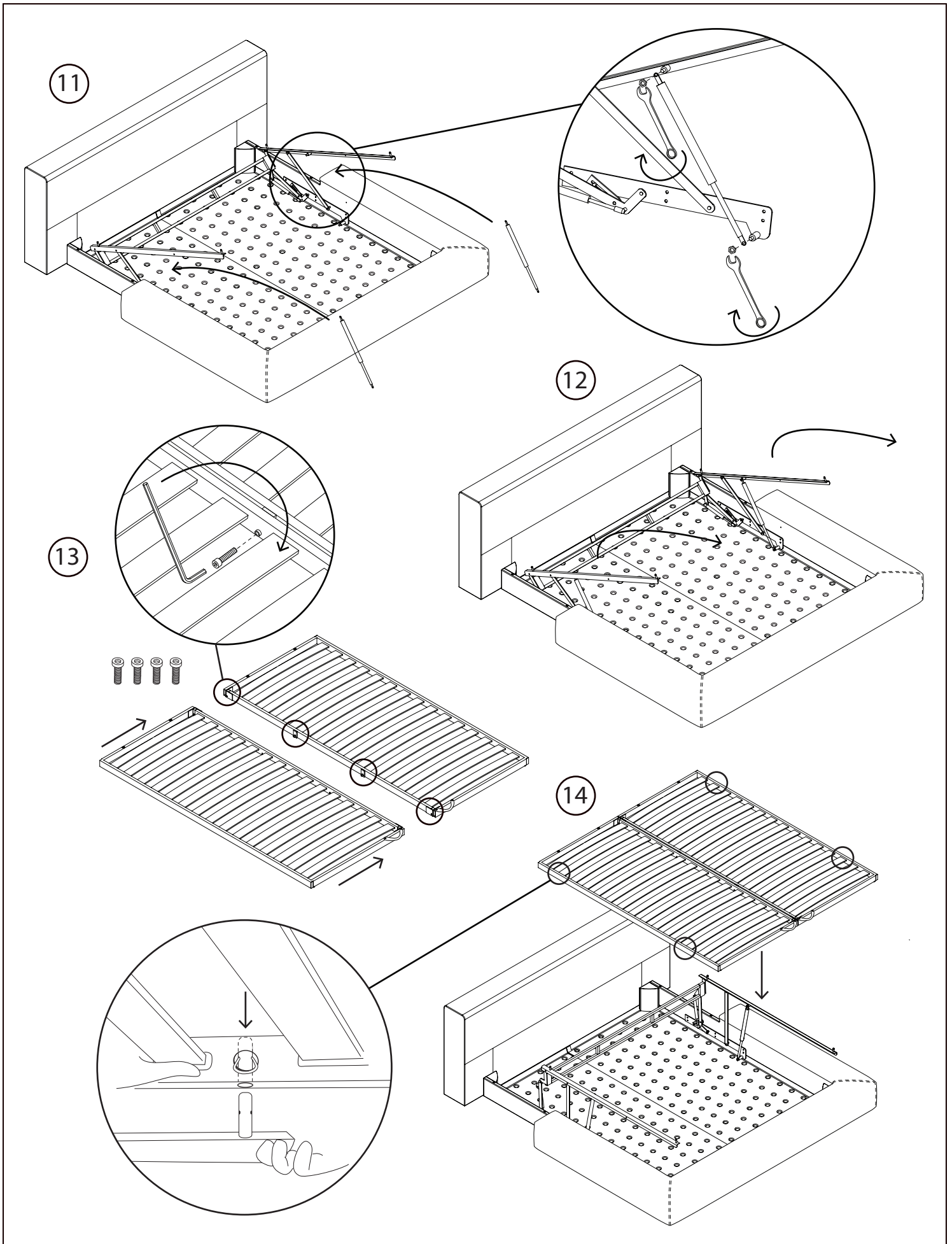
DO NOT use a knife to open the King Living boxes as you may damage your furniture. Peel off the tape, then lift & separate the cardboard flaps to open.

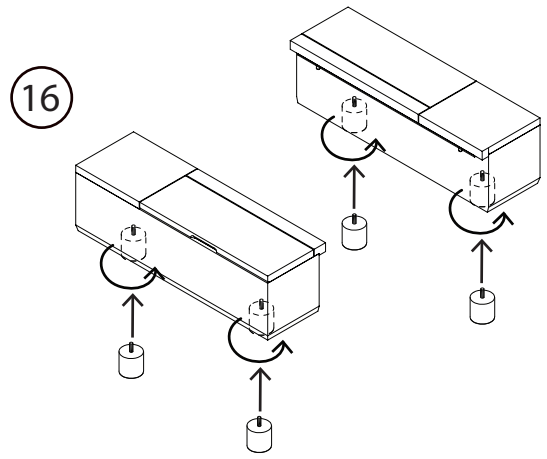
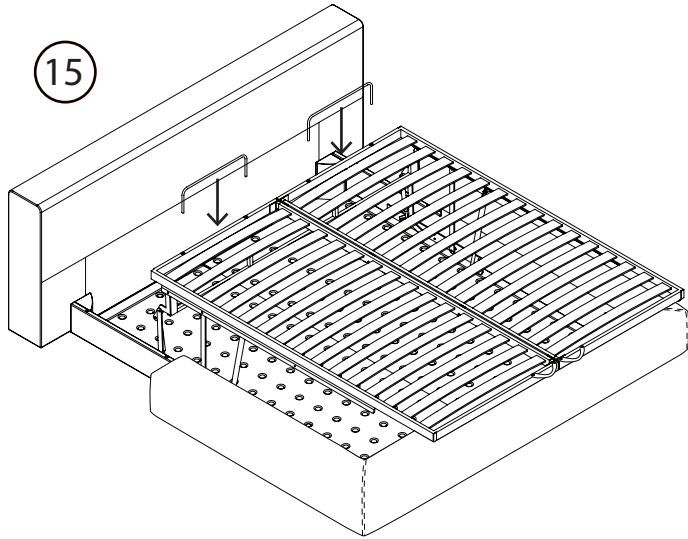
Assemble your furniture by following the steps below.



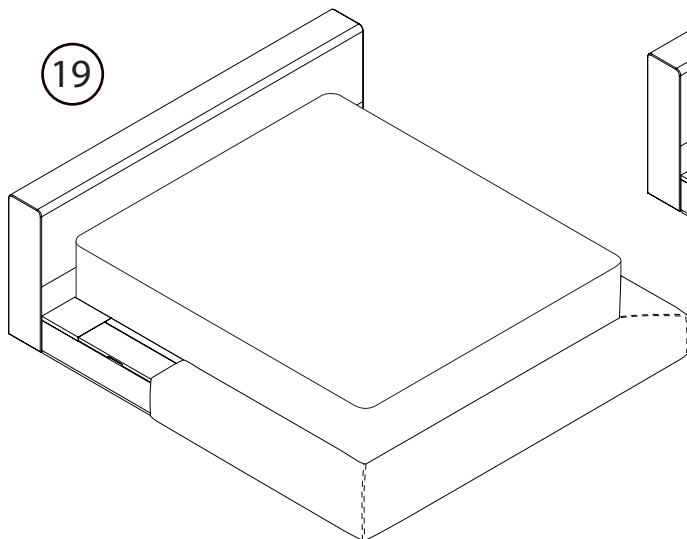
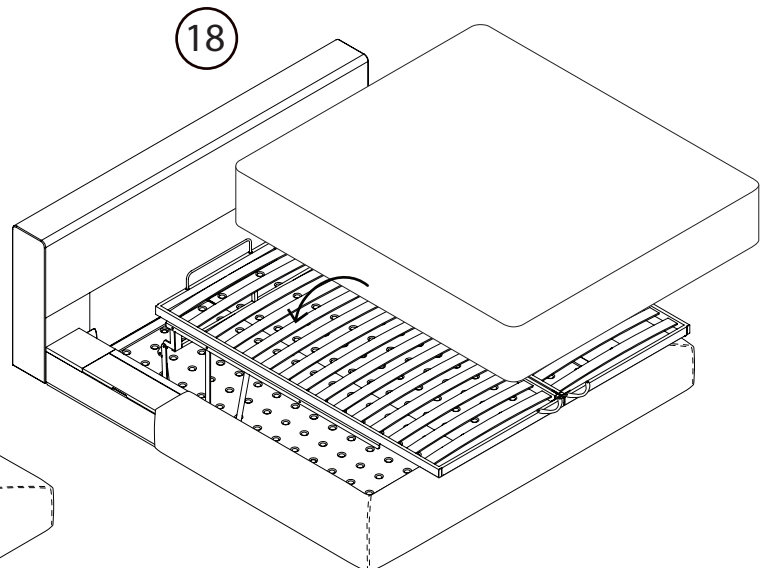
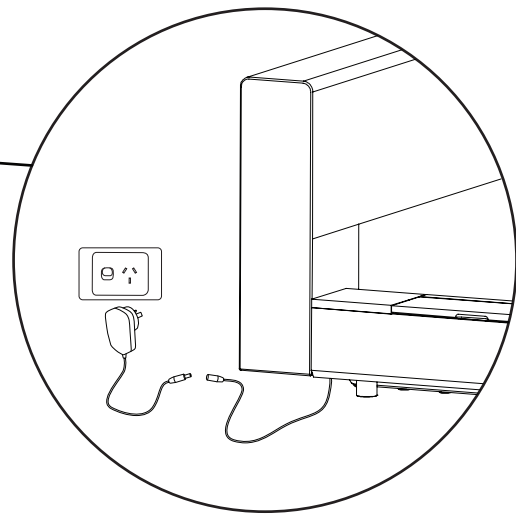
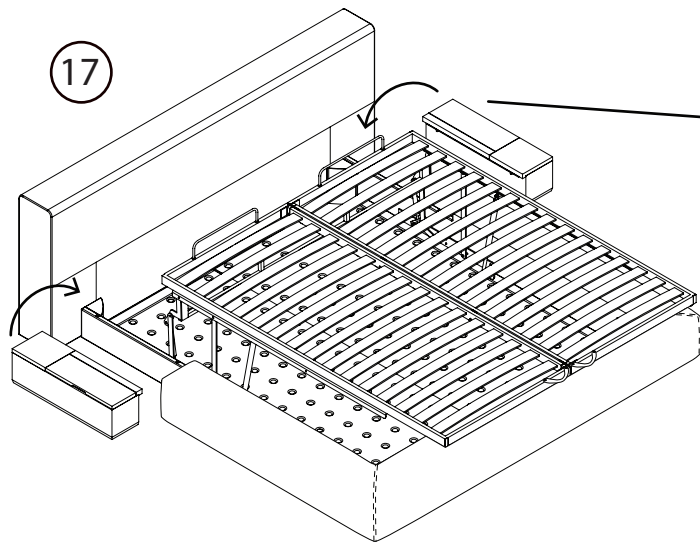




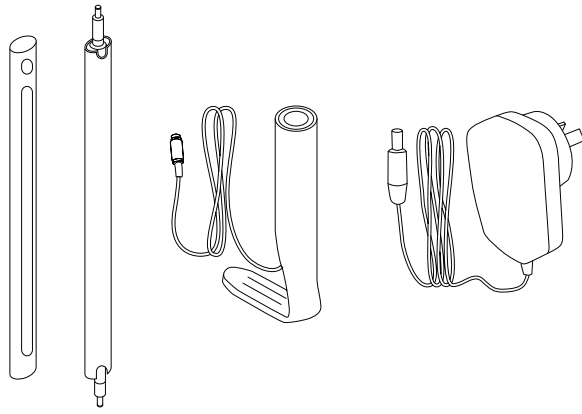
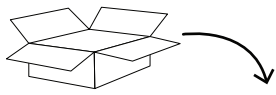




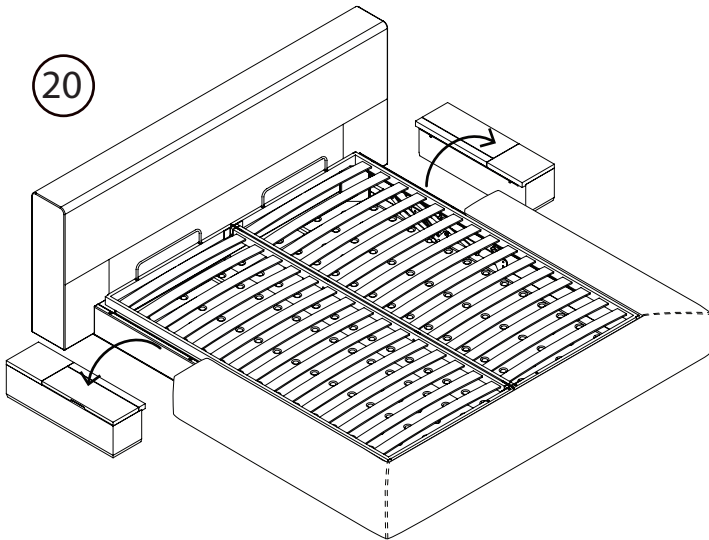
For charging shelf versions:



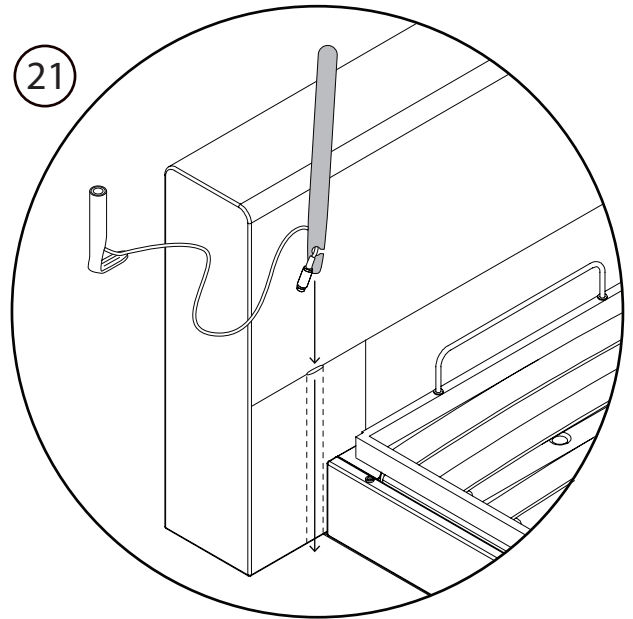
To use Lume light on bed head



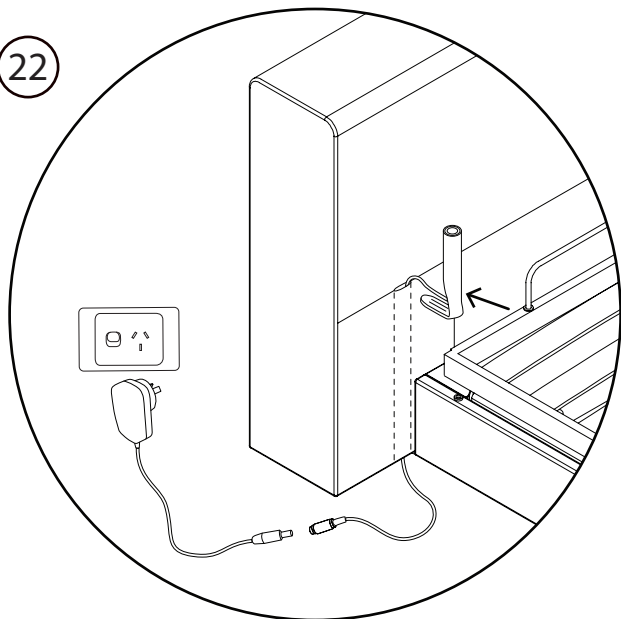
20



21



22



23

