

K I N G



DT20241240-AU-NZ-NA-V2

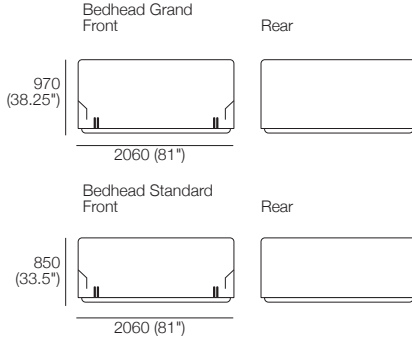
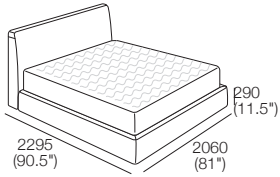
kingliving.com

Promenade Soft Storage Bed

# Promenade Soft Storage Bed

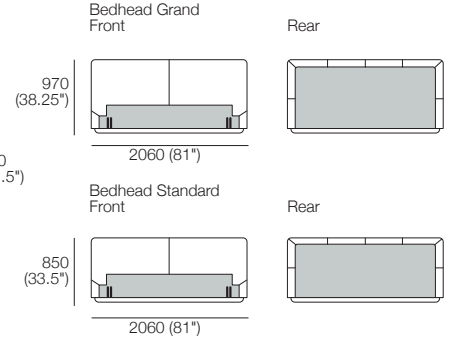
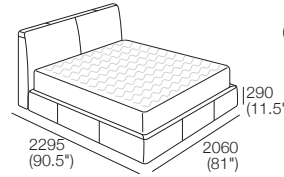
## King-US

Bedbase: Fabric  
Bedhead: Fabric



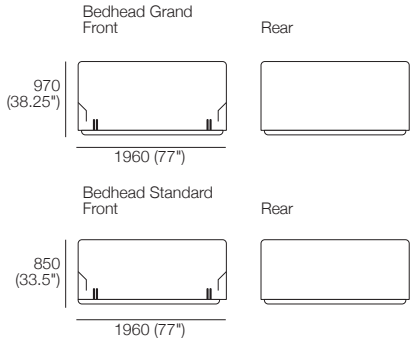
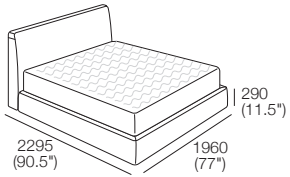
## King-US

Bedbase: Leather  
Bedhead: Leather



## King-AU | SuperKing-NZ

Bedbase: Fabric  
Bedhead: Fabric



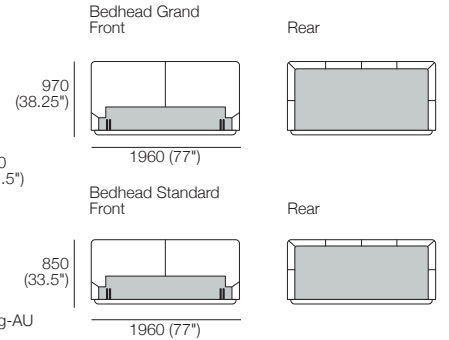
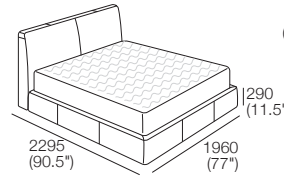
## King-NZ

Bedbase Width: 1785 (70.25")  
Bedhead Width: 1785 (70.25")

Other details & dimensions as per King-AU

## King-AU | SuperKing-NZ

Bedbase: Leather  
Bedhead: Leather



## King-NZ

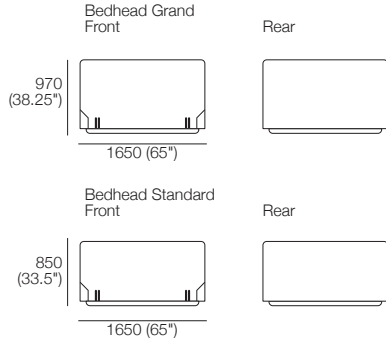
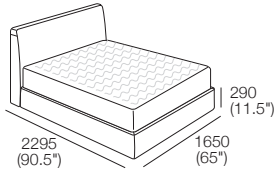
Bedbase Width: 1785 (70.25")  
Bedhead Width: 1785 (70.25")

Other details & dimensions as per King-AU

# Promenade Soft Storage Bed

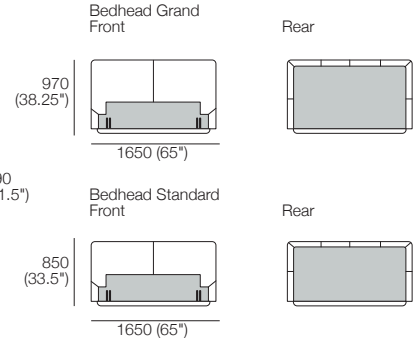
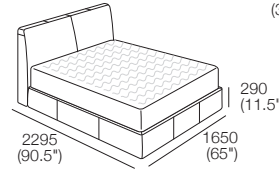
## Queen-AU-NZ-NA

Bedbase: Fabric  
Bedhead: Fabric



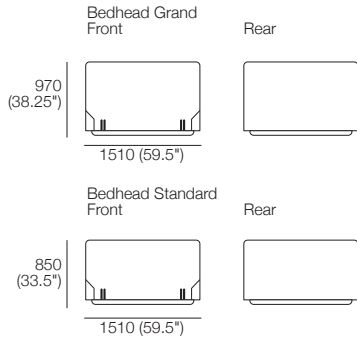
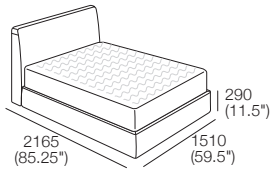
## Queen-AU-NZ-NA

Bedbase: Leather  
Bedhead: Leather



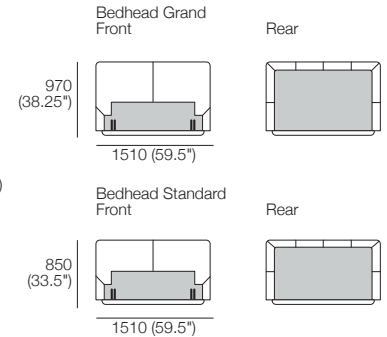
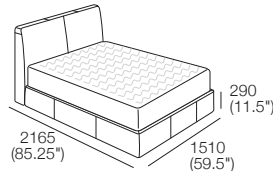
## Double-AU-NZ-NA

Bedbase: Fabric  
Bedhead: Fabric



## Double-AU-NZ-NA

Bedbase: Leather  
Bedhead: Leather

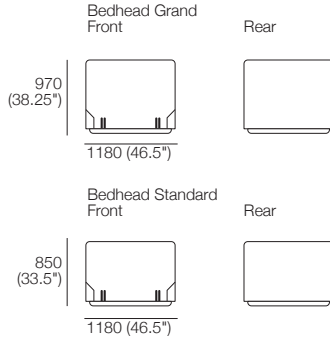
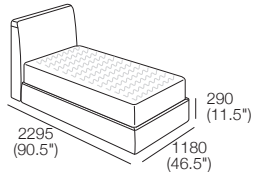


Effective July 2022. Mattress sold separately. Bed and Mattress sizes compatible in country or region as indicated. Some upholstery includes tricot (indicated by grey on Bedheads). Leather detail indicated. As King Living has a policy of continuous improvement, changes to products and specifications may be made without prior notice. Images and drawings are representative of design only. Accessories not included.

# Promenade Soft Storage Bed

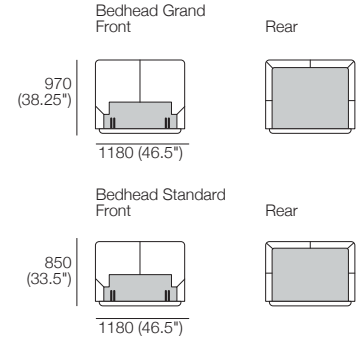
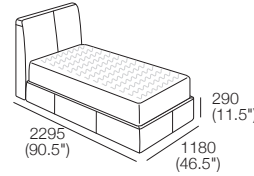
## KingSingle-AU-NZ-NA

Bedbase: Fabric  
Bedhead: Fabric

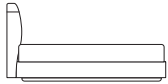


## KingSingle-AU-NZ-NA

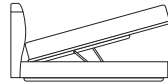
Bedbase: Leather  
Bedhead: Leather



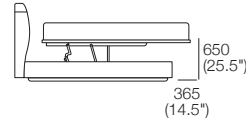
## Accessing Storage | Bed-making



**Storage**  
Bedbase encloses a generous storage compartment.



**Storage Access**  
Engineered Steel Frame opens easily to access storage.



**Bed-making**  
Engineered Steel Frame lifts further into the bed-making position and extends past the Bedbase.

## Mattress Weight Limits:

If you're using an existing mattress (or a mattress from another manufacturer/supplier) with your King Living Storage Bed, please adhere to the following mattress weight capacities:

Mattress   Recommended Gas Strut (N)		SleepPlus Mattress   Recommended Gas Strut (N)								
Weight Range	Gas Strut (N)	3000	6000	8000	9008	SleepPlus Mattress Guide	3000	6000	8000	9008
90-99kg (197-218lb)	2000 N	<b>Australia   New Zealand   North America</b>				<b>North America</b>				
80-89kg (175-196lb)	1800 N	<b>King-AU   SuperKing-NZ</b>				<b>King-US</b>				
70-79kg (153-174lb)	1600 N	<b>King-NZ</b>				<b>Asia   Singapore</b>				
60-69kg (131-152lb)	1400 N	<b>Queen-AU-NZ-NA</b>				<b>King-SG</b>				
50-59kg (109-130lb)	1200 N	<b>Double-AU-NZ-NA</b>				<b>Queen-SG</b>				
40-49kg (86-108lb)	1000 N	<b>KingSingle-AU-NZ-NA</b>				<b>SuperSingle-SG</b>				
30-39kg (66-85lb)	800 N	<b>Country or Region:</b> Australia (AU)   New Zealand (NZ)   North America (NA)   United States (US)   Asia & Singapore (SG)								

Effective July 2022. Mattress sold separately. Bed and Mattress sizes compatible in country or region as indicated. Some upholstery includes tricot (indicated by grey on Bedheads). Leather detail indicated. As King Living has a policy of continuous improvement, changes to products and specifications may be made without prior notice. Images and drawings are representative of design only. Accessories not included.