

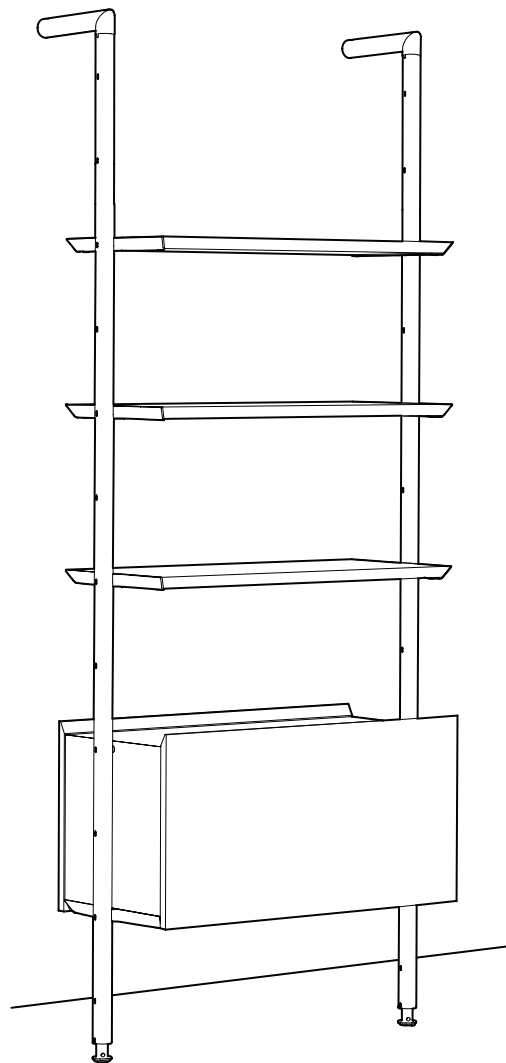
# Vertio Wall System Installation Instructions

# K I N G

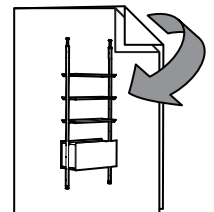
## Wall Mounted

### Opening Boxes

DO NOT use a knife to open the boxes as you may damage your furniture.  
Peel off the tape, then lift & separate the cardboard flaps to open.  
Assemble your furniture by following the steps below.



FLIP BOOKLET  
FOR FLOOR TO  
CEILING MOUNTED



### KING CUSTOMER CARE:

#### AUSTRALIA:

T 1300 135 464  
E [service@kingliving.com.au](mailto:service@kingliving.com.au)  
W [kingliving.com.au](http://kingliving.com.au)

#### NEW ZEALAND:

T 0800 546 422  
E [service@kingliving.co.nz](mailto:service@kingliving.co.nz)  
W [kingliving.co.nz](http://kingliving.co.nz)

#### SINGAPORE:

T +65 6805 4198  
E [aftersales@kingliving.com.sg](mailto:aftersales@kingliving.com.sg)  
W [kingliving.com.sg](http://kingliving.com.sg)

#### MALAYSIA:

T +603 7732 0272  
E [aftersales@kingliving.my](mailto:aftersales@kingliving.my)  
W [kingliving.my](http://kingliving.my)

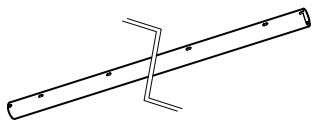
#### CANADA:

T +1 236 521 6666  
E [granvillecs@kingliving.ca](mailto:granvillecs@kingliving.ca)  
W [kingliving.ca](http://kingliving.ca)

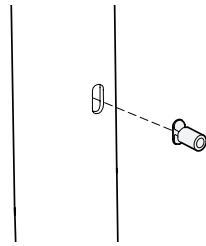
#### SHANGHAI:

T +86 21 5882 1888  
E [shanghai@kingliving.com](mailto:shanghai@kingliving.com)  
W [kinglivingaustralia.com.cn](http://kinglivingaustralia.com.cn)

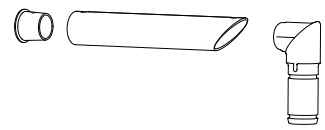
# Glossary



Pole  
(2160, 2340, 2520, 2700)



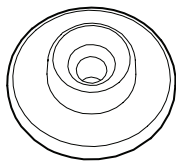
Toggle



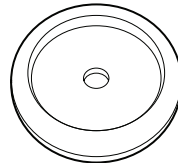
Wall mount brackets &  
pole wall mount 240



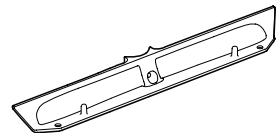
Jack



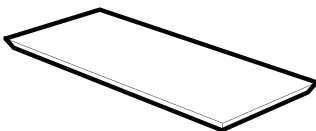
Small jack cap



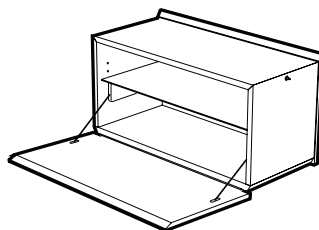
Large jack cap - adhesive



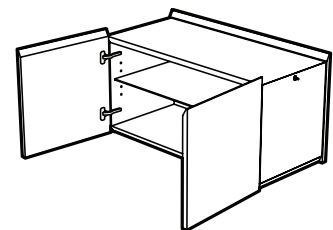
Shelf bracket



Shelf 800



Cabinet 800, fold-down door



Cabinet 800, twin-doors

# Before you start

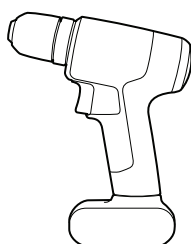
## Required tools



Phillips #2  
screwdriver



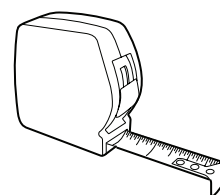
Small ladder



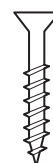
Drill, drill bits



Spirit level

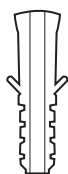


Measuring tape

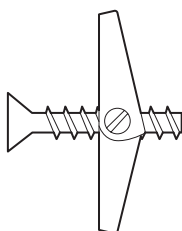


Screws

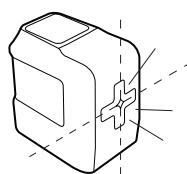
## Optional tools



Masonry fastener



Plasterboard  
fastener



Laser level



Plumbob

# Structural Requirements

Read through the guidelines below to ensure the Vertio Wall System is suitable for your space.

## Floors

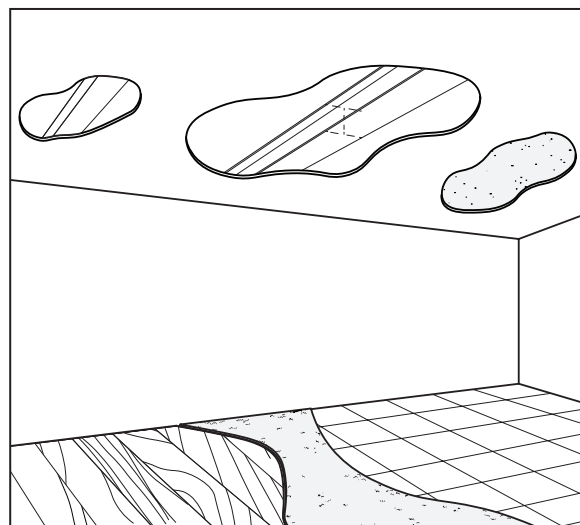
It is essential to assess the quality of your floor as this will determine the stability and weight carry capacity of your system.

Solid floors that experience no flexing, noise or movement are ideal.

A concrete slab supporting your floor structure is the best scenario.

No or low pile carpet is preferable.

Please note: Because the load of the wall system is focused on small areas at the base of the pole, timber floors or floors that make a noise or flex when you step on them may need to be reinforced.

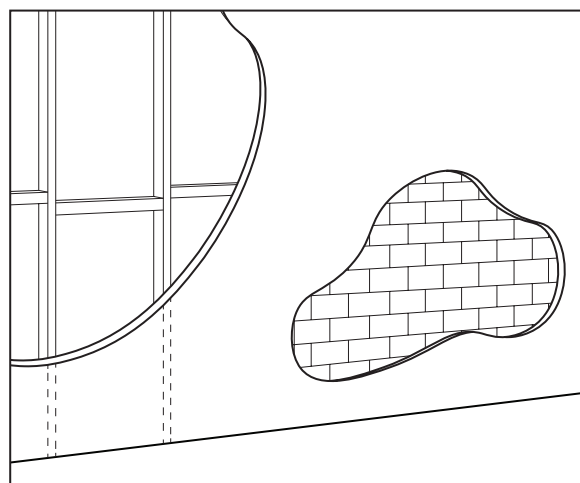


## Walls

Suitable wall plugs or anchors should be selected according to the wall substrate.

Solid walls made from masonry or concrete are ideal. Most plasterboard walls are suitable. Ideally, align at least one wall mount location with a timber stud for the best attachment. When installing through plasterboard, a spring toggle is recommended.

Please note: If you are building a new home and are planning on a wall mount system, obtain the exact height of the wall mount attachment and install a structural support at this height to screw into on installation.



## Ceilings

Strong structural support is required in all compression mounted installations. Please check and modify your ceiling before purchase.

A concrete ceiling or structural beam is ideal for compression mounted installation.

On a plasterboard ceiling, structural support is required at the exact pole location.

For plasterboard ceilings we recommend using the large jack cap to spread the force top over a larger area.

## Weight Loading

The specific weight limit of your wall system will depend on the structural stability of the floor, wall and ceiling, as well as how many timber shelves and cabinets are used per bay.

We recommend placing heavier items on the lower shelves and cabinets and lighter items towards the top.

We recommend no more than 40kg of uniformly distributed weight per 800mm shelf and cabinet. i.e. books placed across the entire shelf is preferable compared to a single heavy object in the middle of the shelf as this will decrease this weight limit.



The system is not designed to be used as a ladder and must not be used as a seat.

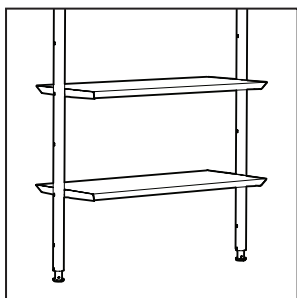


The fold-down cabinet door is not weight rated when open and should never be used as a desk.



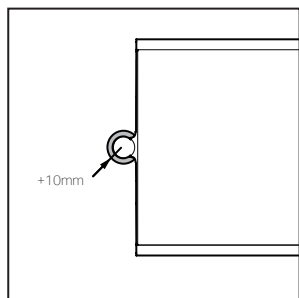
We cannot accept liability for unsuitable wall, floor or ceilings. Prior to purchase you must assess your floor, ceiling and/or wall for suitability of installing floor to ceiling via compression or wall mounted poles. If your planned position is not suitable the installation may need to stop, be repositioned or structure reinforced.

# Other Considerations



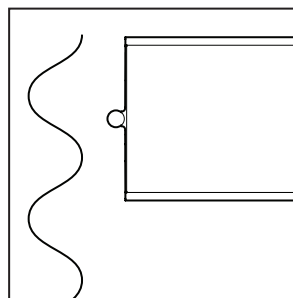
## Minimum components

For structural stability mount at least two modular components in each bay.



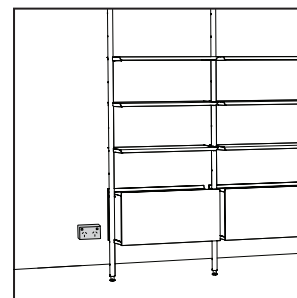
## Large jack cap

The large jack cap requires an additional 10mm floor clearance at each end. Please take the width of skirting boards into account.



## Space for curtains

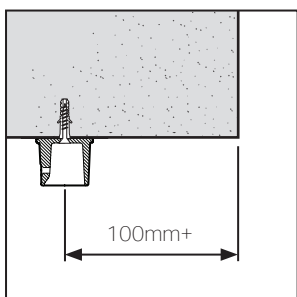
If your system will be placed near a window, ensure space has been allocated for your curtains.



## Powerpoint locations

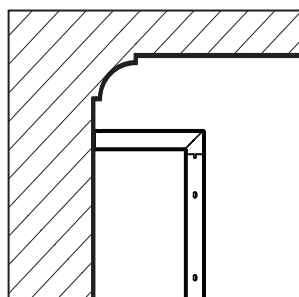
Consider the location of powerpoints when planning your system.

## Wall mount only



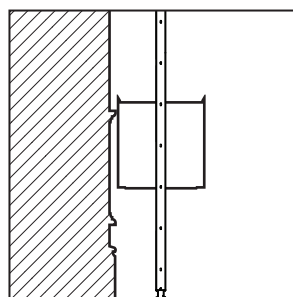
## Masonry wall corners

When wall mounting the system close to the corner of a masonry wall please start the mounting at least 100mm from the corner. This is to avoid chipping a section of the masonry off in drilling or installing the screw.



## Cornice

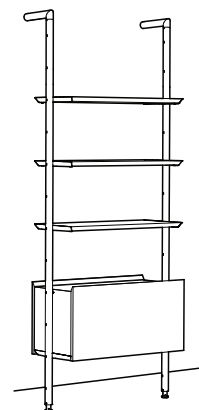
When selecting a wall mounted pole, consider the distance between pole and ceiling, allowing clearance for your cornice.



## Skirting board / paneling

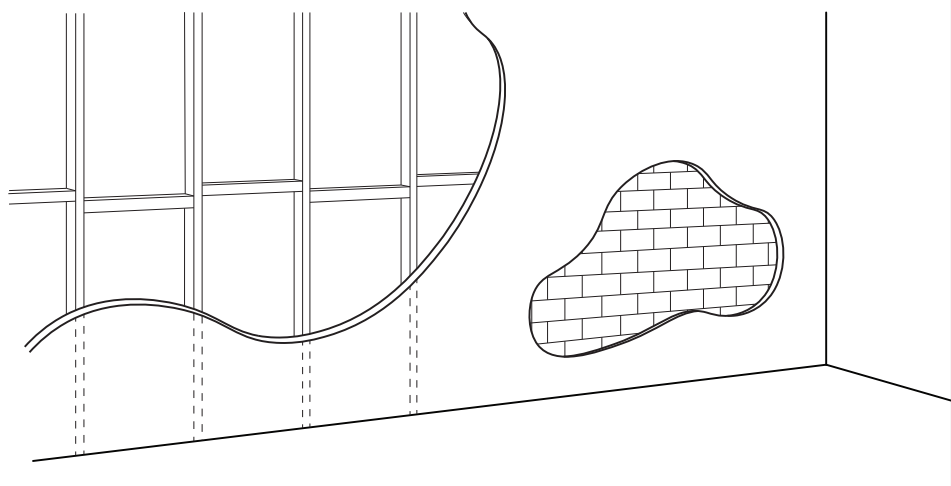
For wall mounted systems consider timber panelling and skirting board height. Note that modular components sit 29mm off the wall. A floor to ceiling mounted system can be placed further off the wall.

# Installing wall mount pole



1

Assess wall substrate for suitable anchor points and what type of wall anchor is required.



2

Mark all pole positions.

## X Spacing

Centre to centre

$X = 851\text{mm}$

## Y Spacing

Floor to centre wall mount

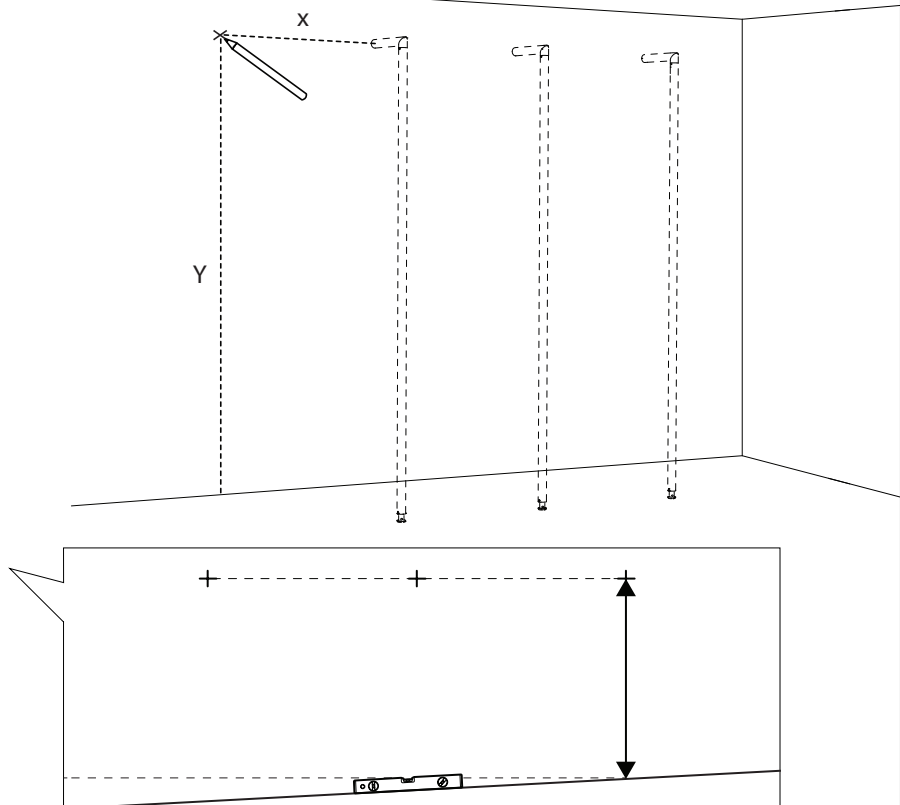
*If floor is unlevelled, Y is measured from the highest point on the floor for all mounting positions*

Pole 2160,  $Y = 2210\text{mm}$

Pole 2340,  $Y = 2390\text{mm}$

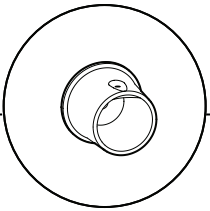
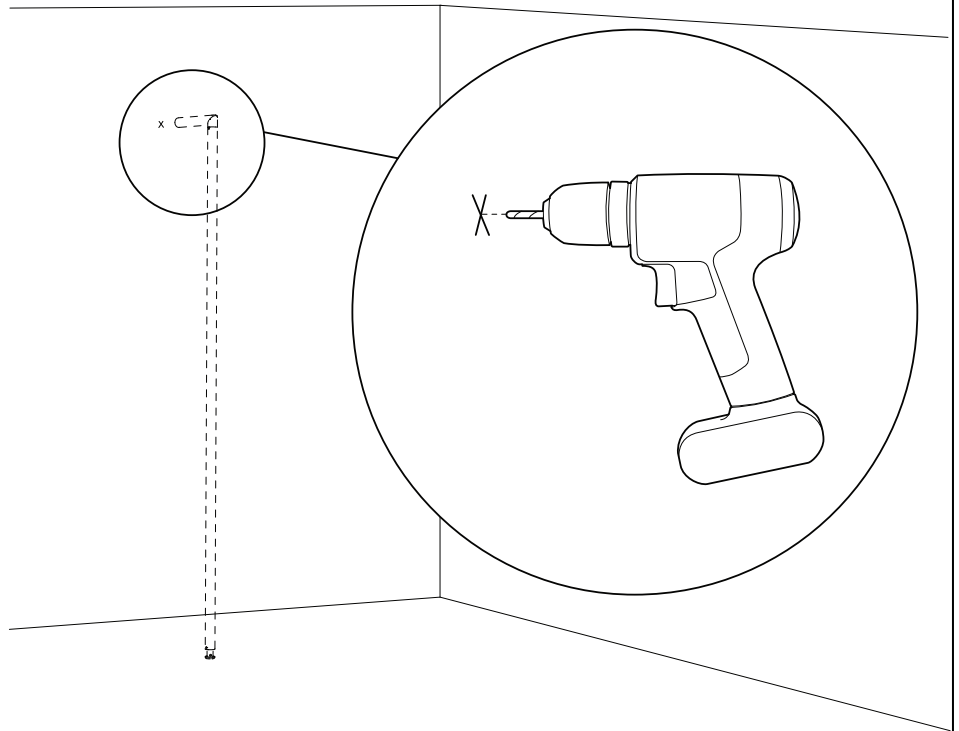
Pole 2520,  $Y = 2570\text{mm}$

Pole 2700,  $Y = 2750\text{mm}$



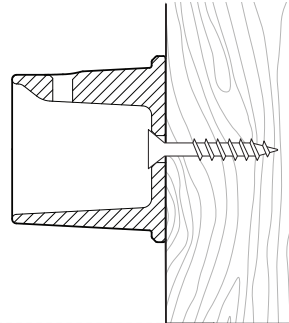
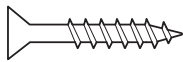
3

Drill hole and install suitable wall anchor to mount wall bracket onto marked position.

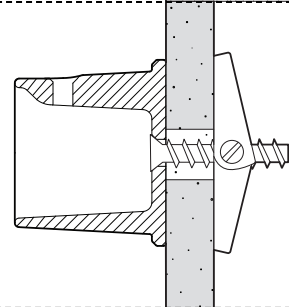
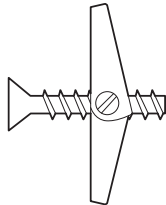
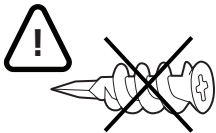


**Suggested wall anchor options**

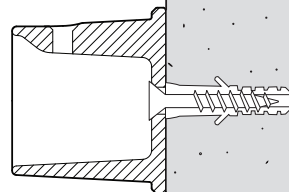
**Option A**  
Structural Timber



**Option B**  
Plasterboard

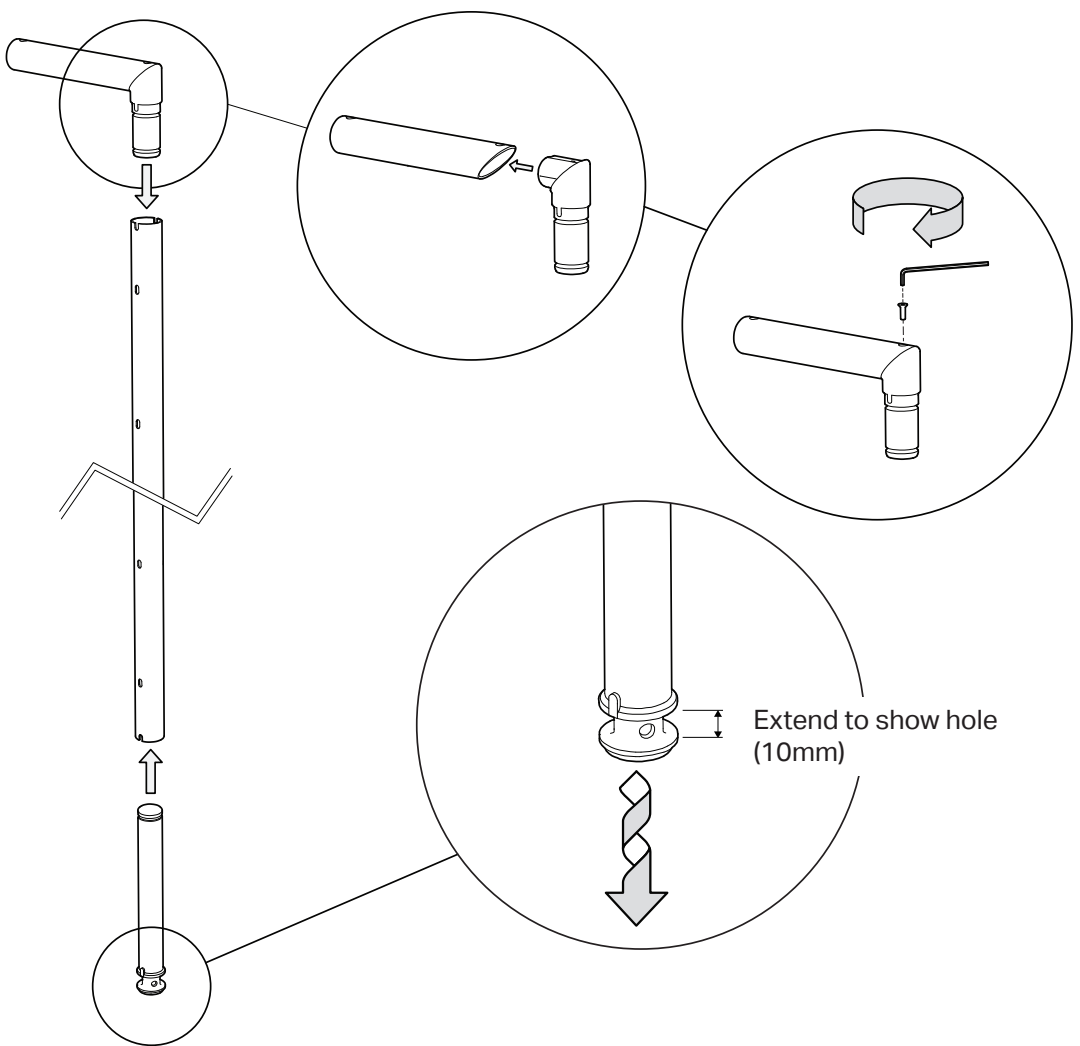


**Option C**  
Solid wall; concrete,  
masonry, brick



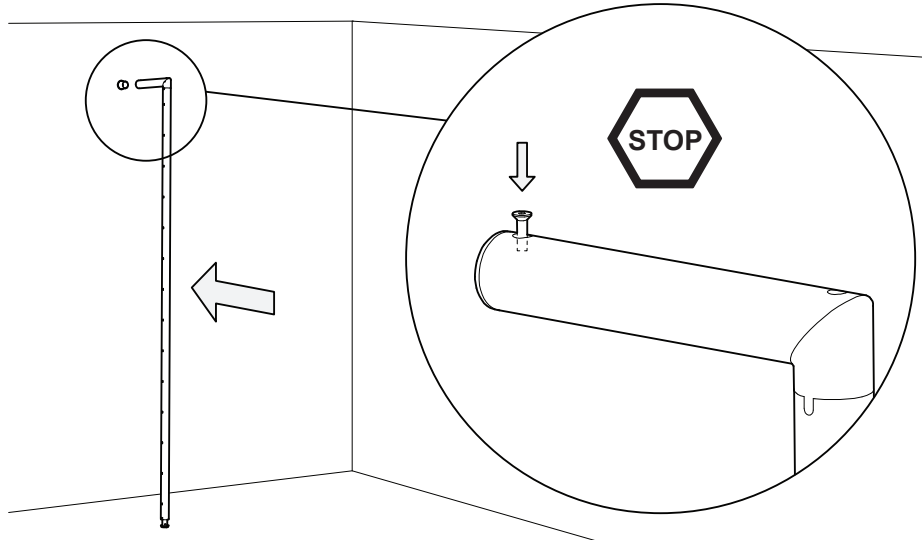
4

Install jack and wall mount.



5

Partially install countersunk bolt into top of tube to hold the pole in place (this will be removed soon).

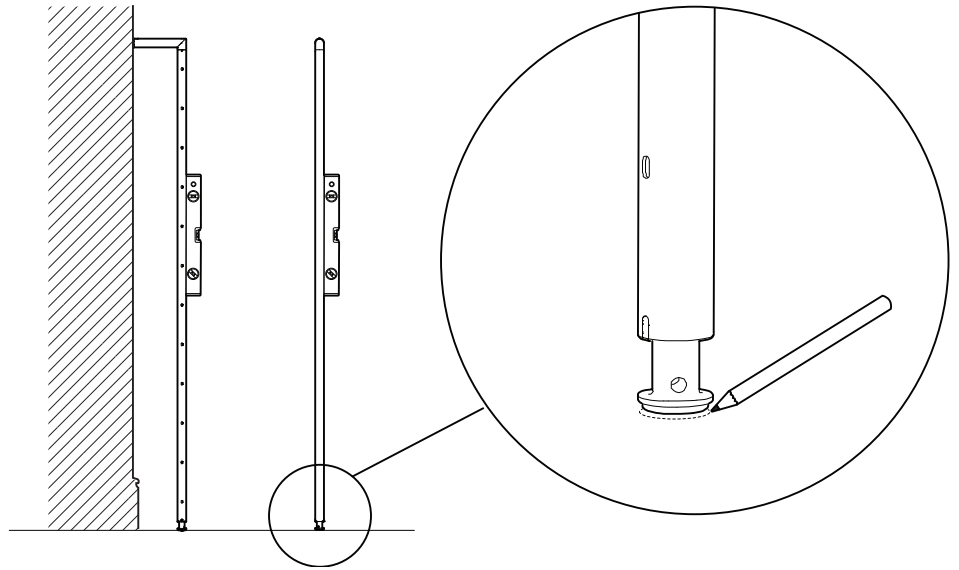




6

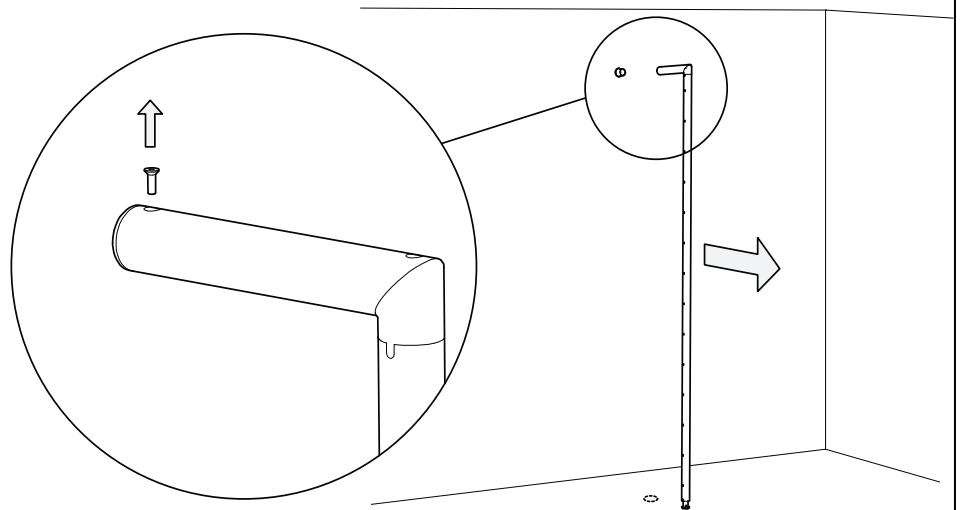
Use a spirit level to ensure the pole is vertical.

Mark the location of the base of the pole on the floor.



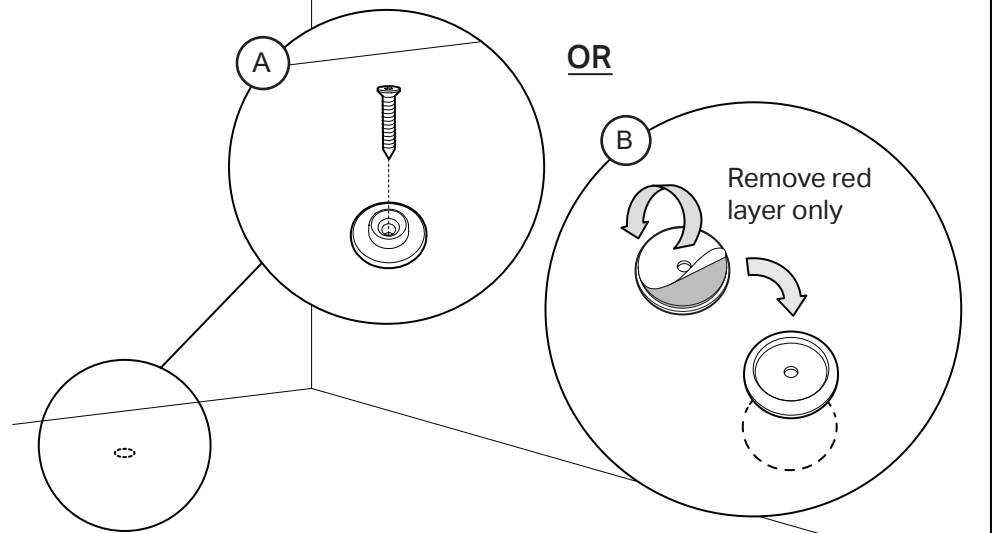
7

Remove screw at top and remove pole.



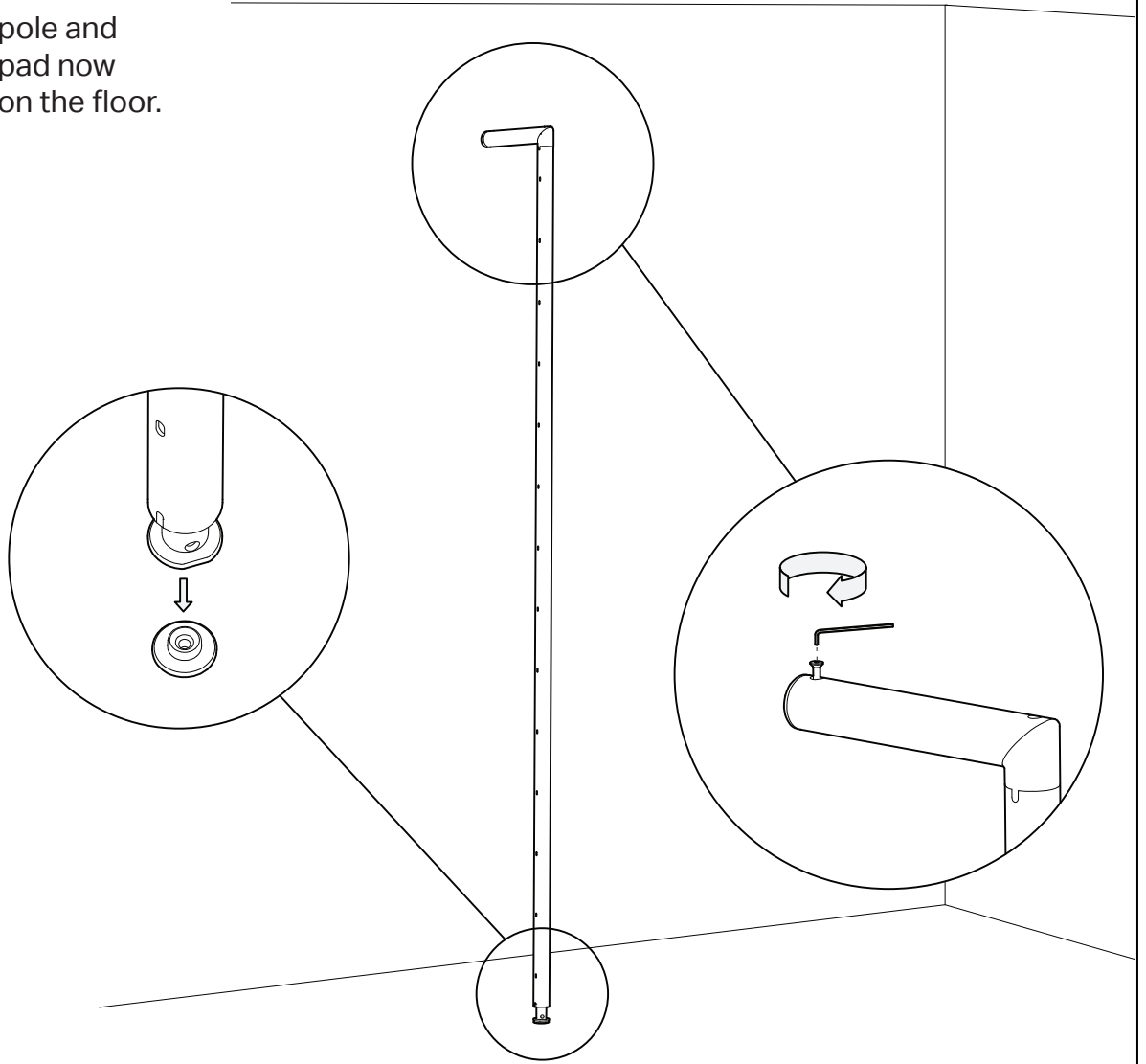
8

Install either small jack cap (A) or large jack cap - adhesive (B) to marked position on the floor.



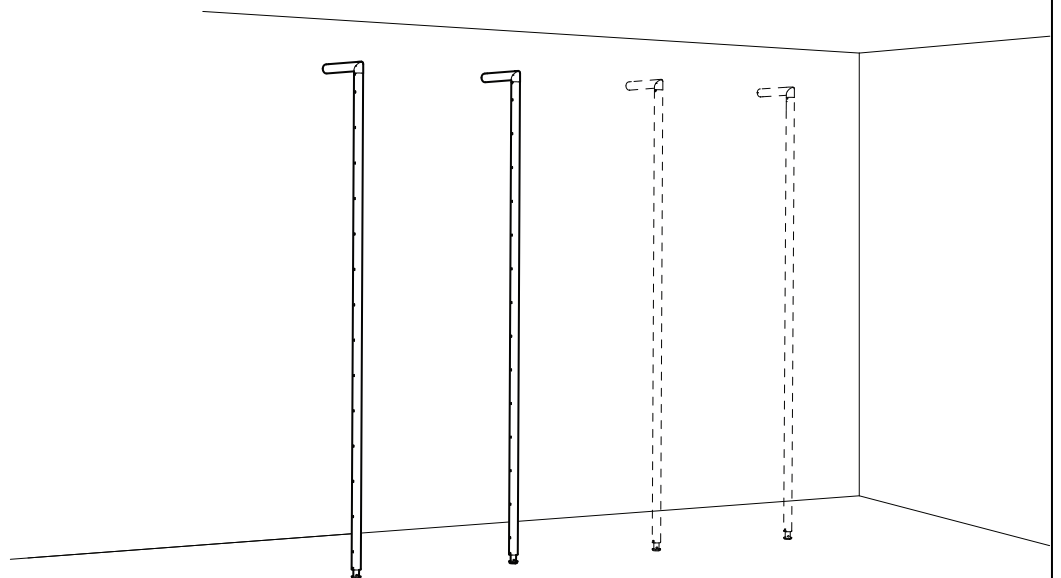
9

Reinstall pole and locate in pad now installed on the floor.



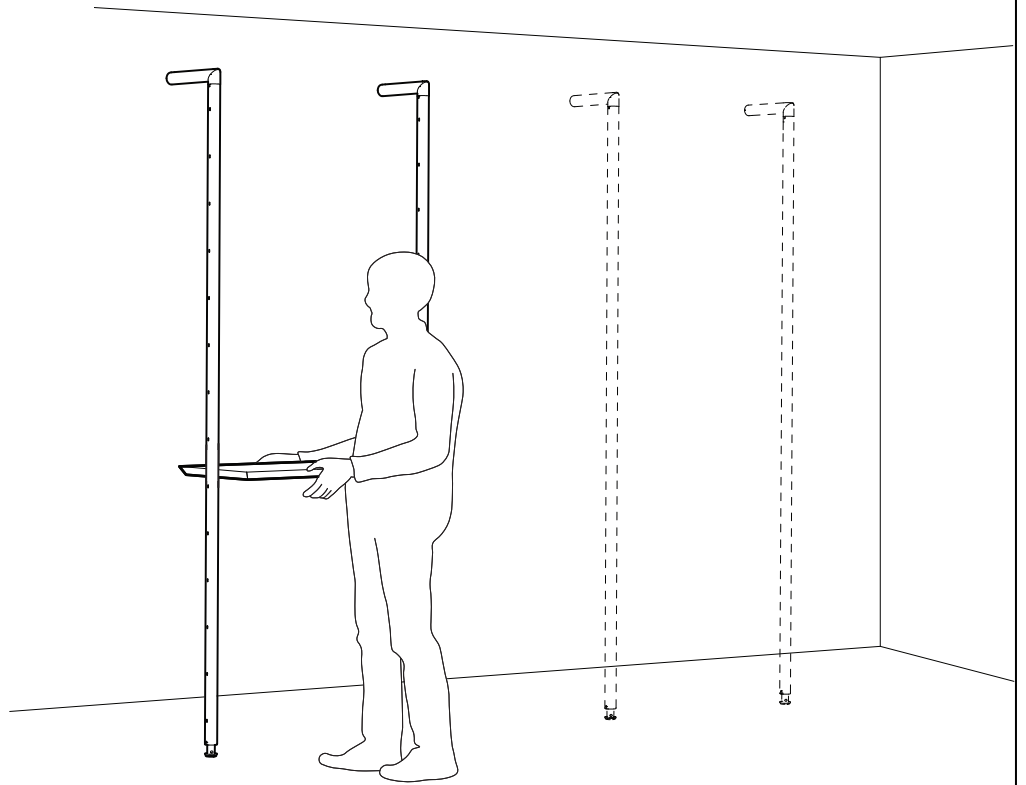
10

Repeat for one additional pole.



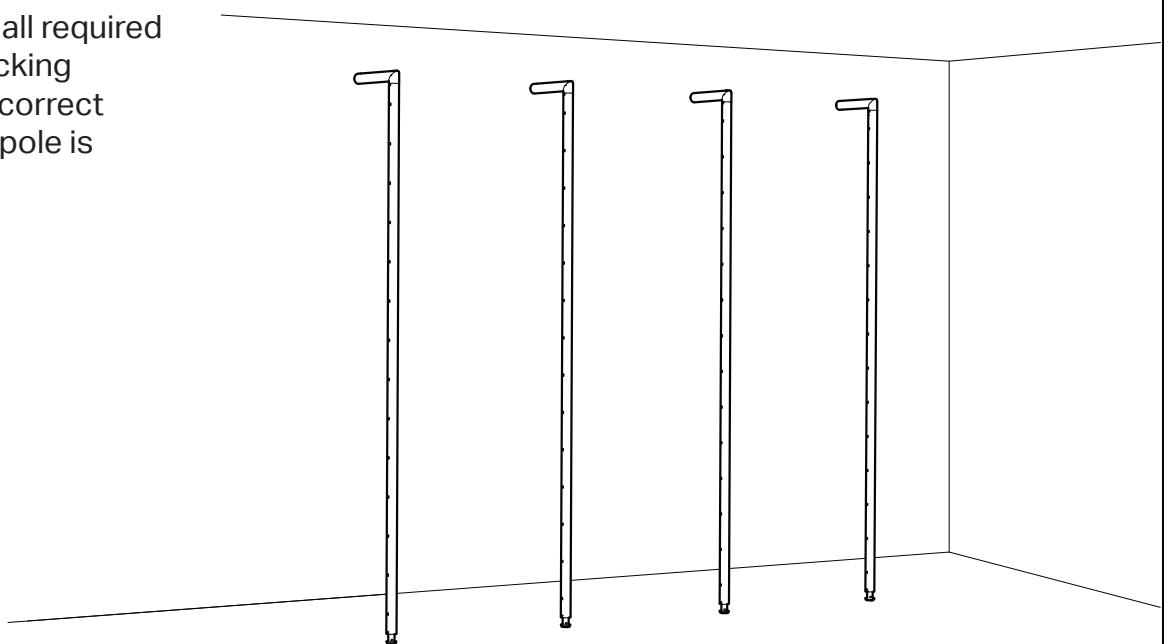
11

Ensure pole distance is correct. Check spacing with a shelf or cabinet.

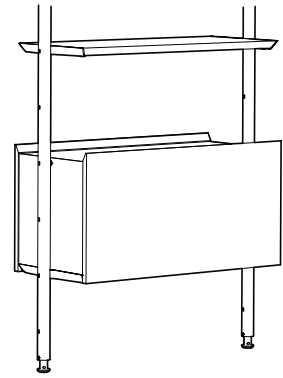


12

Repeat for all required poles, checking spacing is correct after each pole is installed.

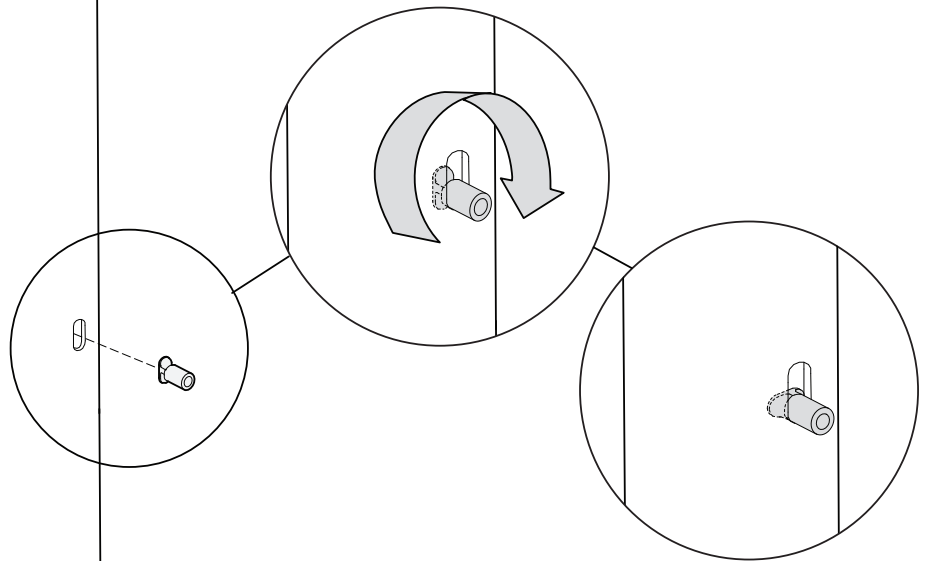


# Installing components on poles



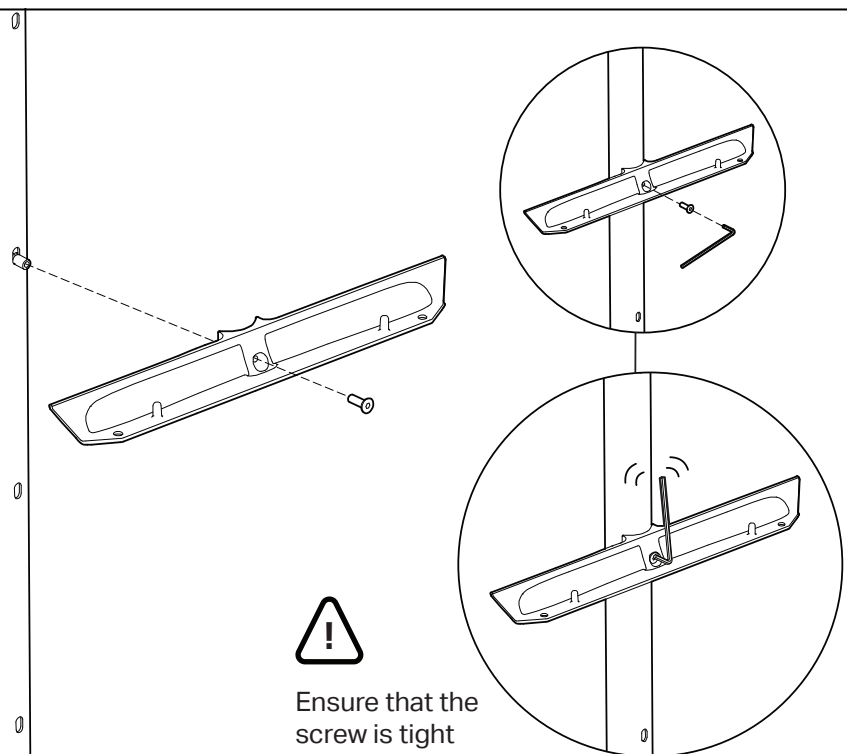
1

Insert toggle and turn 90 degree.

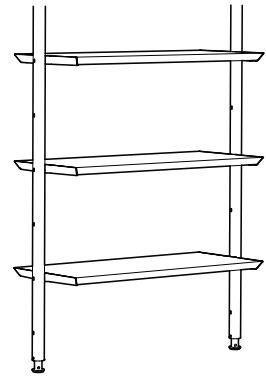


2

Insert screw through bracket into toggle.

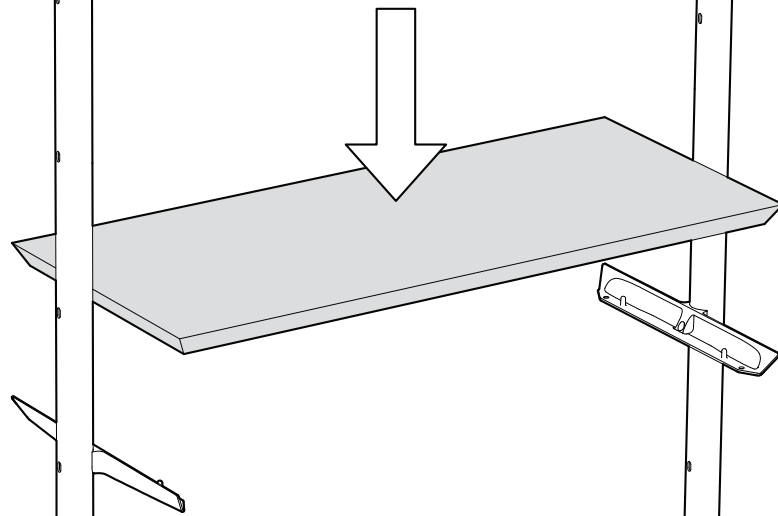


# Installing shelves



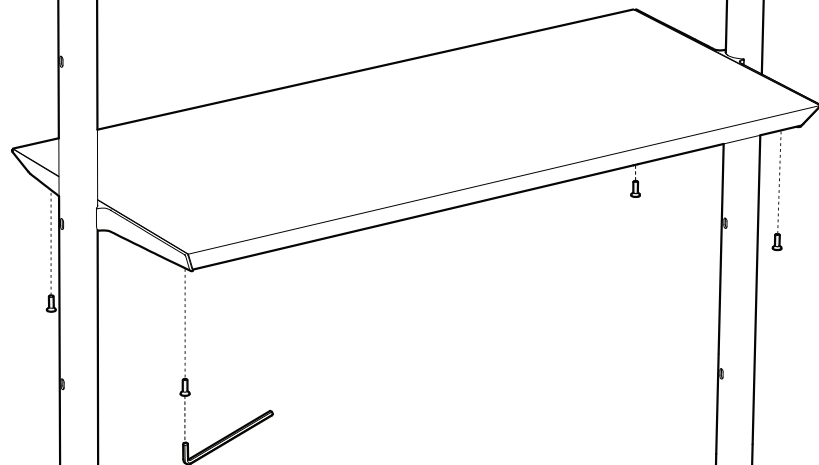
1

Place shelf on bracket pair.

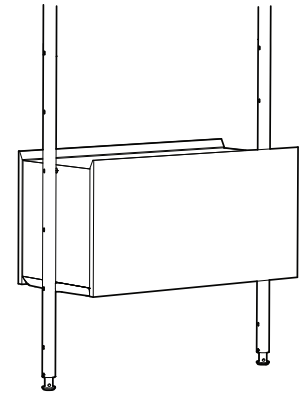


2

Install (4x) black screws in base of component.

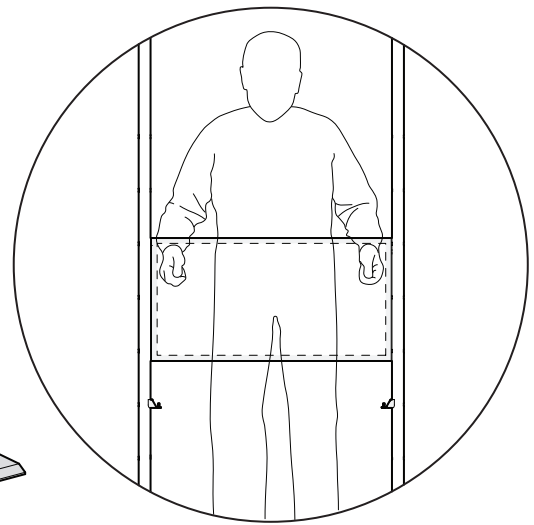
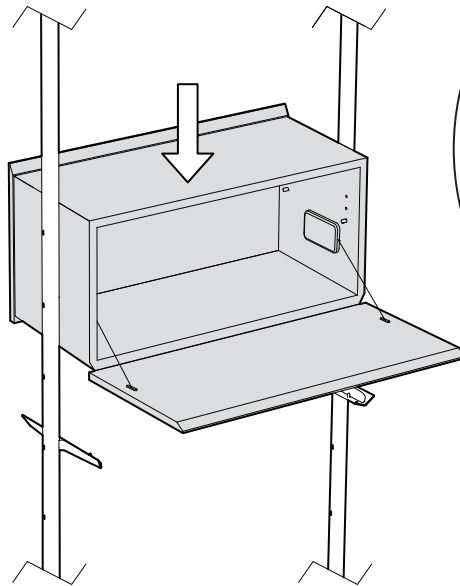


# Installing cabinets



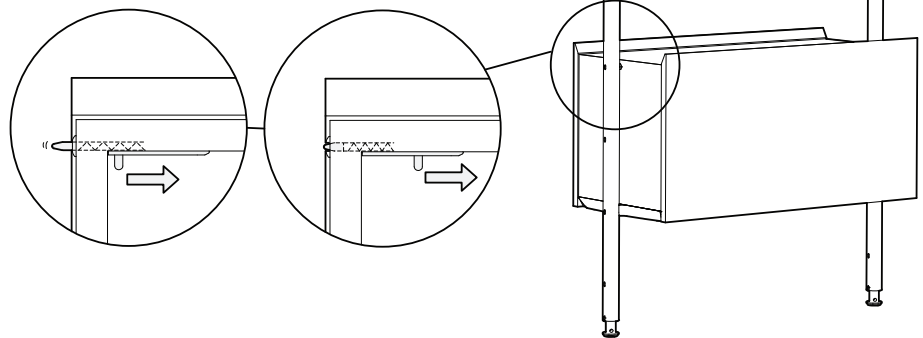
1

Place both arms inside the cabinet and gently lower onto the brackets.



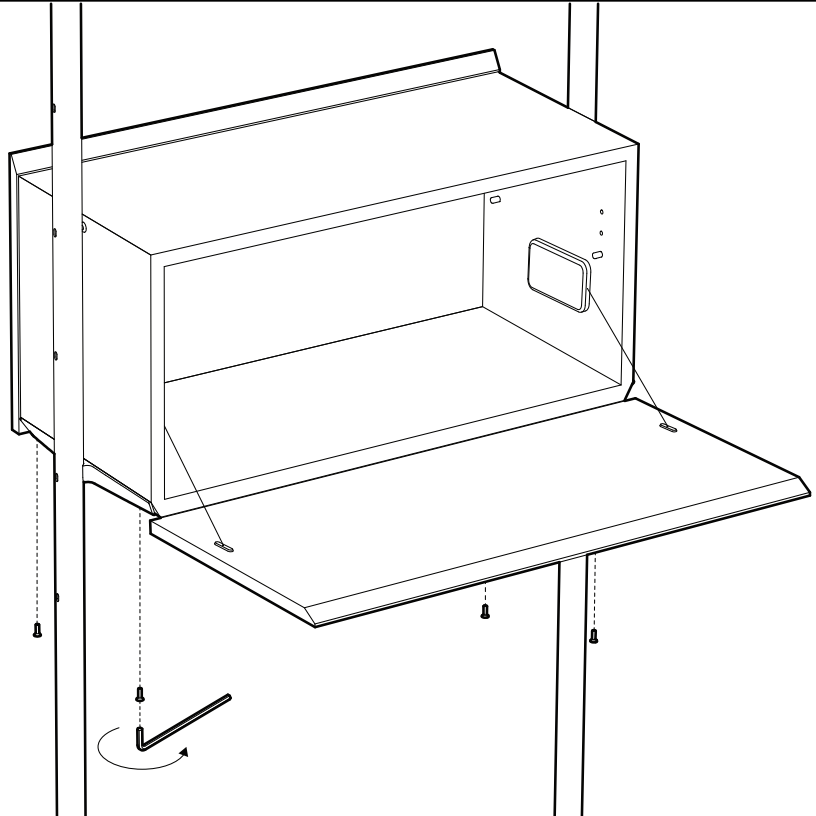
The spring pin on the side of the cabinet should self locate into a corresponding hole on the pole.

This can also be manually adjusted inside the cabinet.



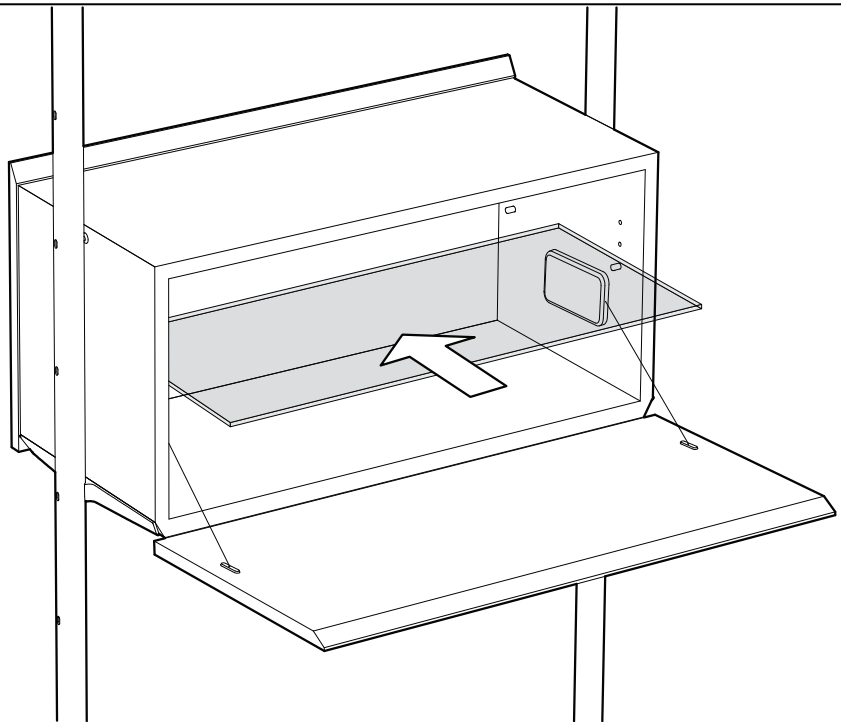
2

Install (4x) screws in  
base of component.

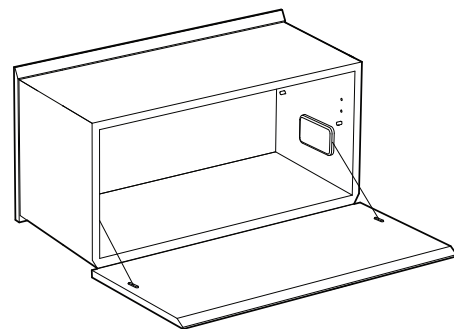


3

Install glass shelf.

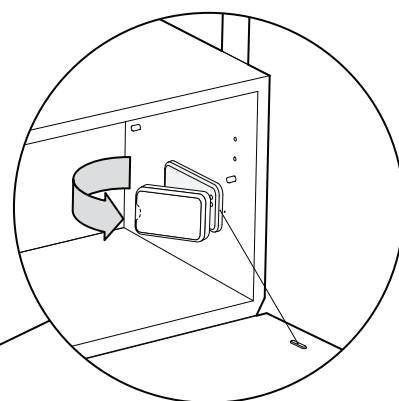
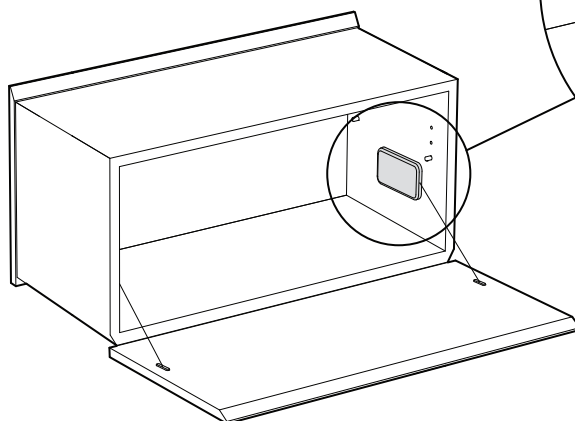


# Fold-down cabinet wire adjustment

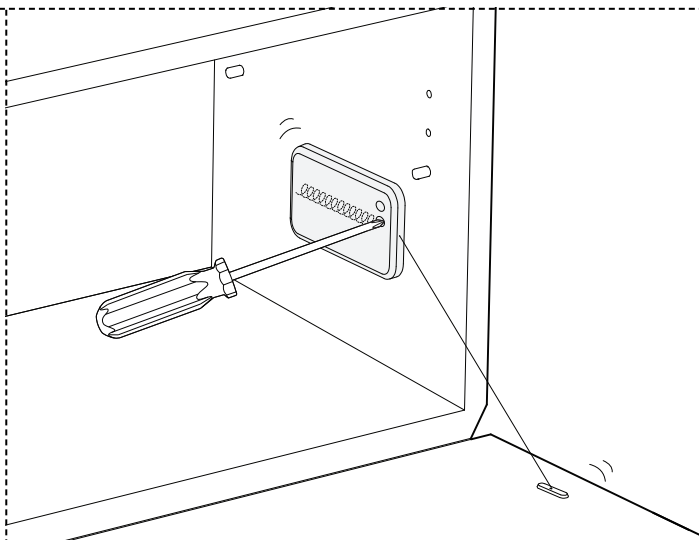
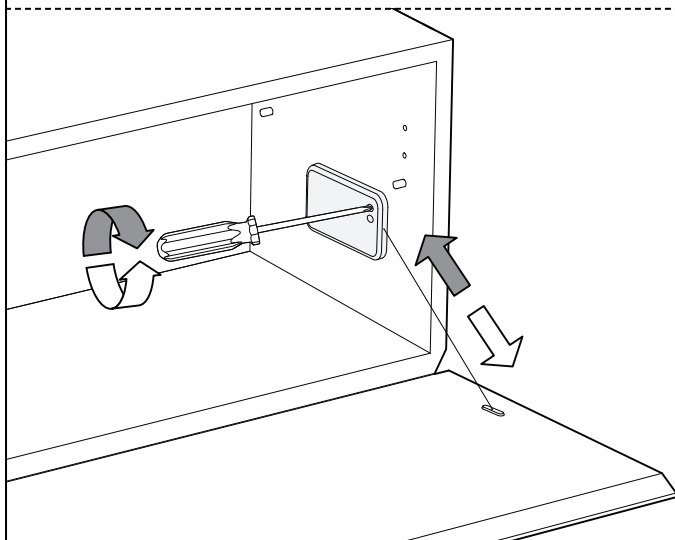


If doors do not align, adjust cable length with a screwdriver on both sides of the cabinet.

Remove the plastic cover to access adjustment screws.

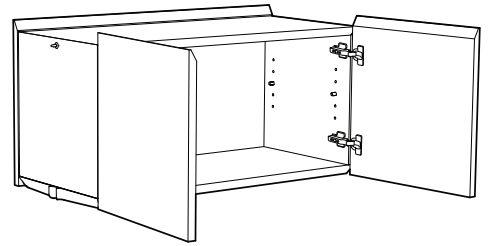


Always hold the door during adjustment.





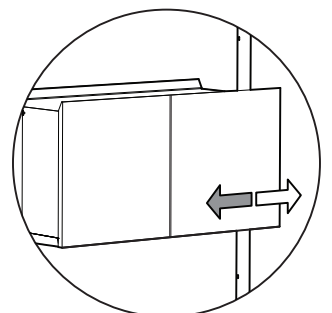
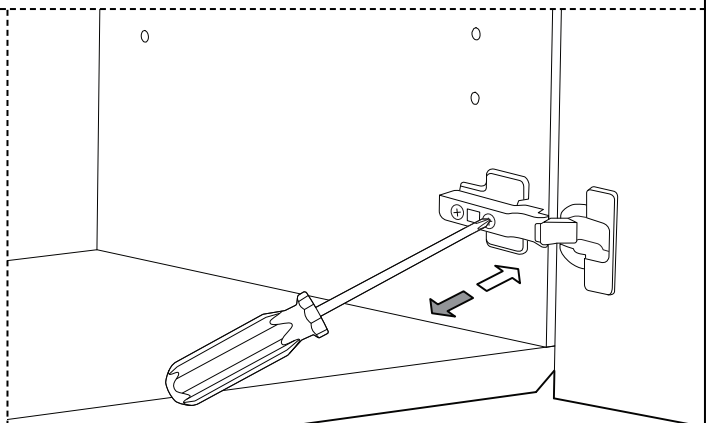
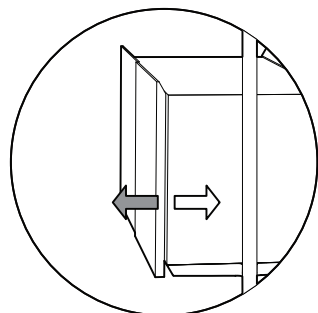
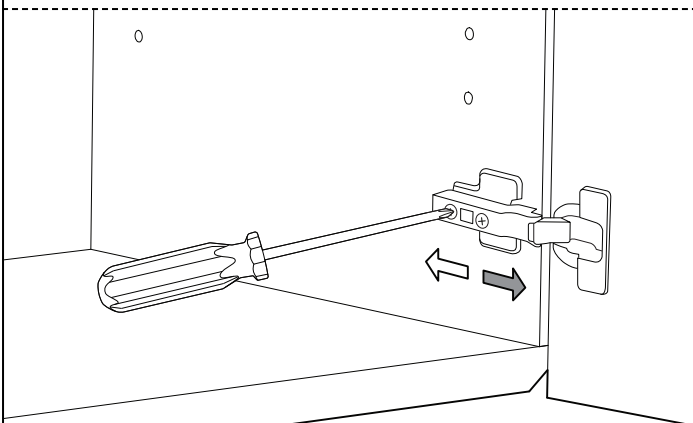
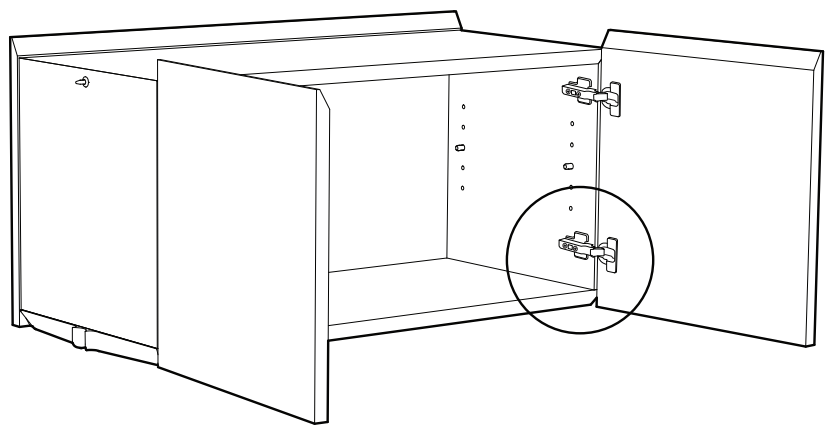
# Twin-door hinge adjustment



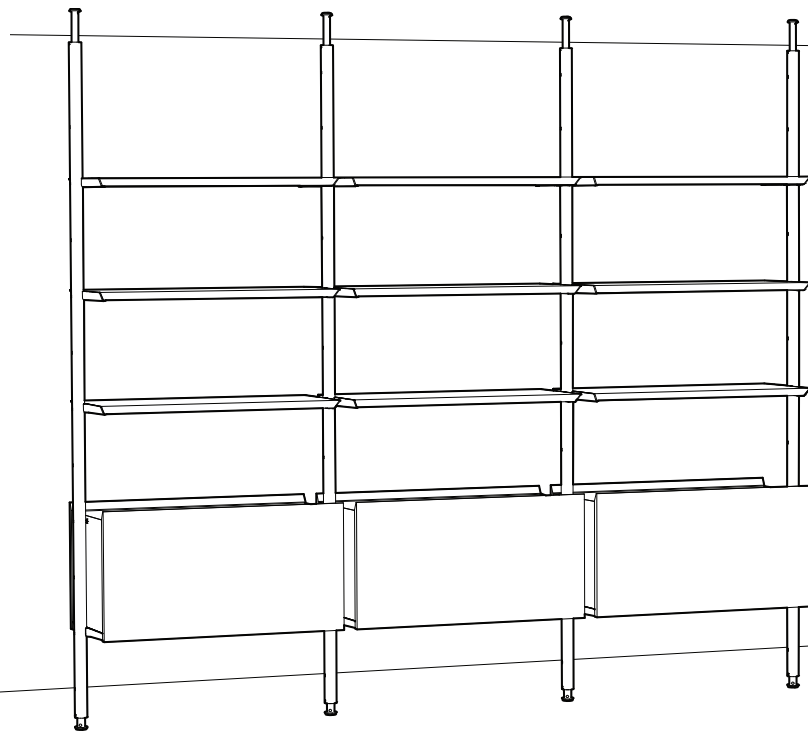
If doors do not align, adjust hinges with a screwdriver on both sides of the cabinet.



Always hold the door during adjustment.



Congratulations!  
 You have finished  
 installing your Vertio  
 Wall System.



You have completed installing your Vertio Wall System.

For further support, please contact King  
 Customer Care. Contact details are listed below.

**KING CUSTOMER CARE:**

**AUSTRALIA:**

T 1300 135 464  
 E [service@kingliving.com.au](mailto:service@kingliving.com.au)  
 W [kingliving.com.au](http://kingliving.com.au)

**NEW ZEALAND:**

T 0800 546 422  
 E [service@kingliving.co.nz](mailto:service@kingliving.co.nz)  
 W [kingliving.co.nz](http://kingliving.co.nz)

**SINGAPORE:**

T +65 6805 4198  
 E [aftersales@kingliving.com.sg](mailto:aftersales@kingliving.com.sg)  
 W [kingliving.com.sg](http://kingliving.com.sg)

**MALAYSIA:**

T +603 7732 0272  
 E [aftersales@kingliving.my](mailto:aftersales@kingliving.my)  
 W [kingliving.my](http://kingliving.my)

**CANADA:**

T +1 236 521 6666  
 E [granvillecs@kingliving.ca](mailto:granvillecs@kingliving.ca)  
 W [kingliving.ca](http://kingliving.ca)

**SHANGHAI:**

T +86 21 5882 1888  
 E [shanghai@kingliving.com](mailto:shanghai@kingliving.com)  
 W [kinglivingaustralia.com.cn](http://kinglivingaustralia.com.cn)

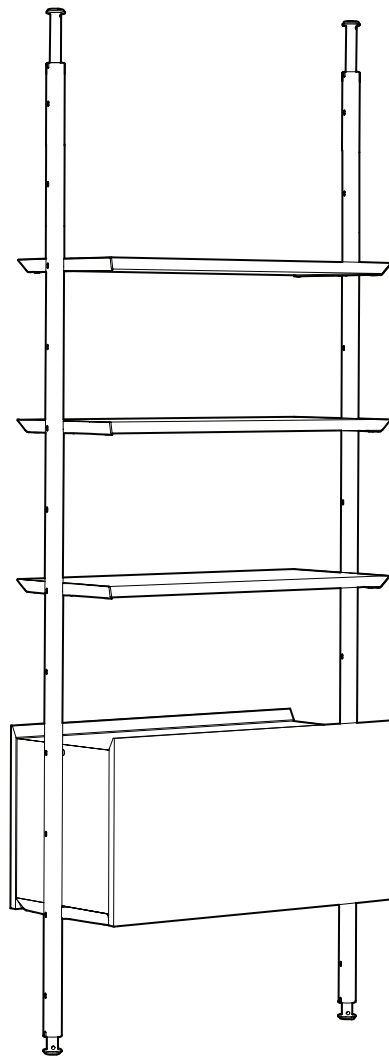
# Vertio Wall System Installation Instructions

# K I N G

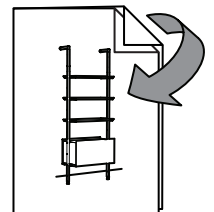
## Floor to Ceiling Mounted

### Opening Boxes

DO NOT use a knife to open the boxes as you may damage your furniture.  
Peel off the tape, then lift & separate the cardboard flaps to open.  
Assemble your furniture by following the steps below.



FLIP BOOKLET FOR  
WALL MOUNTED



### KING CUSTOMER CARE:

#### AUSTRALIA:

T 1300 135 464  
E [service@kingliving.com.au](mailto:service@kingliving.com.au)  
W [kingliving.com.au](http://kingliving.com.au)

#### NEW ZEALAND:

T 0800 546 422  
E [service@kingliving.co.nz](mailto:service@kingliving.co.nz)  
W [kingliving.co.nz](http://kingliving.co.nz)

#### SINGAPORE:

T +65 6805 4198  
E [aftersales@kingliving.com.sg](mailto:aftersales@kingliving.com.sg)  
W [kingliving.com.sg](http://kingliving.com.sg)

#### MALAYSIA:

T +603 7732 0272  
E [aftersales@kingliving.my](mailto:aftersales@kingliving.my)  
W [kingliving.my](http://kingliving.my)

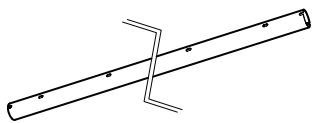
#### CANADA:

T +1 236 521 6666  
E [granvillecs@kingliving.ca](mailto:granvillecs@kingliving.ca)  
W [kingliving.ca](http://kingliving.ca)

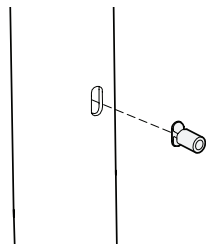
#### SHANGHAI:

T +86 21 5882 1888  
E [shanghai@kingliving.com](mailto:shanghai@kingliving.com)  
W [kinglivingaustralia.com.cn](http://kinglivingaustralia.com.cn)

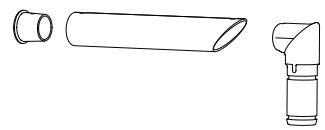
# Glossary



Pole  
(2160, 2340, 2520, 2700)



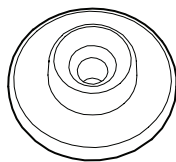
Toggle



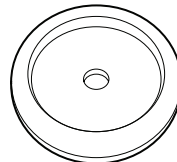
Wall mount brackets &  
pole wall mount 240



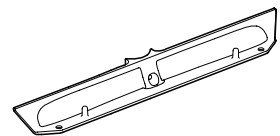
Jack



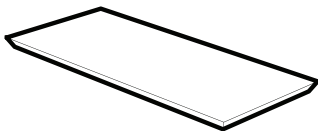
Small jack cap



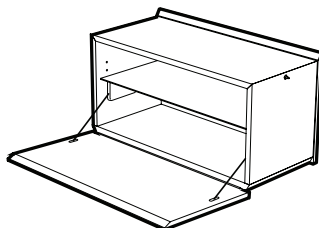
Large jack cap - adhesive



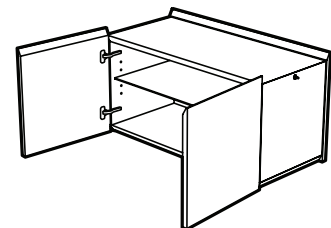
Shelf bracket



Shelf 800



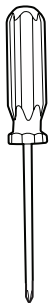
Cabinet 800, fold-down door



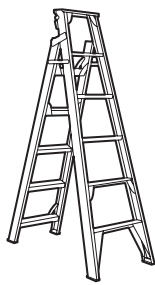
Cabinet 800, twin-doors

# Before you start

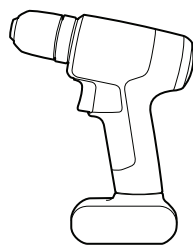
## Required tools



Phillips #2  
screwdriver



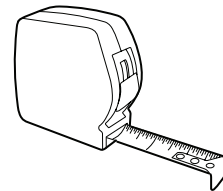
Ladder



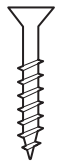
Drill, drill bits



Spirit level

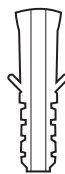


Measuring tape

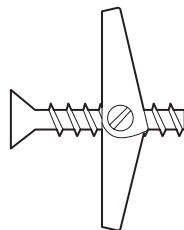


Screws

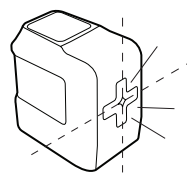
## Optional tools



Masonry fastener



Plasterboard  
fastener



Laser level



Plumbob

# Structural Requirements

Read through the guidelines below to ensure the Vertio Wall System is suitable for your space.

## Floors

It is essential to assess the quality of your floor as this will determine the stability and weight carry capacity of your system.

Solid floors that experience no flexing, noise or movement are ideal.

A concrete slab supporting your floor structure is the best scenario.

No or low pile carpet is preferable.

Please note: Because the load of the wall system is focused on small areas at the base of the pole, timber floors or floors that make a noise or flex when you step on them may need to be reinforced.

## Walls

Suitable wall plugs or anchors should be selected according to the wall substrate.

Solid walls made from masonry or concrete are ideal. Most plasterboard walls are suitable. Ideally, align at least one wall mount location with a timber stud for the best attachment. When installing through plasterboard, a spring toggle is recommended.

Please note: If you are building a new home and are planning on a wall mount system, obtain the exact height of the wall mount attachment and install a structural support at this height to screw into on installation.

## Ceilings

Strong structural support is required in all compression mounted installations. Please check and modify your ceiling before purchase.

A concrete ceiling or structural beam is ideal for compression mounted installation.

On a plasterboard ceiling, structural support is required at the exact pole location.

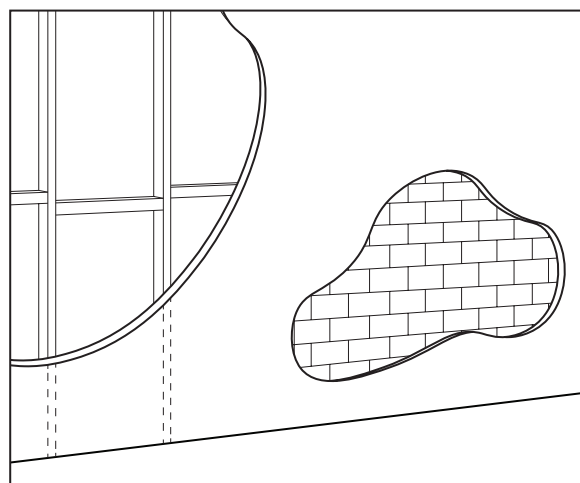
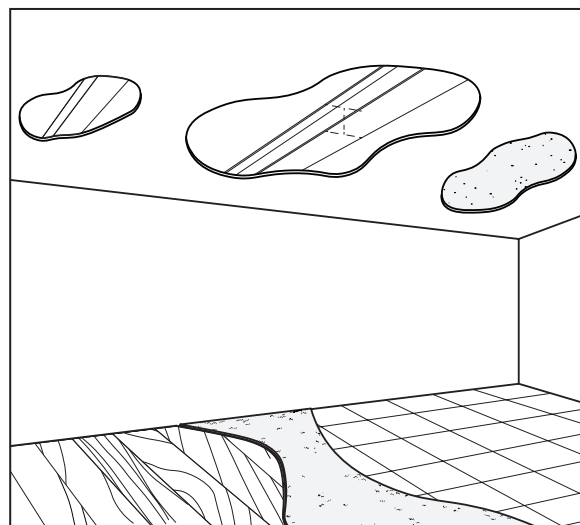
For plasterboard ceilings we recommend using the large jack cap to spread the force top over a larger area.

## Weight Loading

The specific weight limit of your wall system will depend on the structural stability of the floor, wall and ceiling, as well as how many timber shelves and cabinets are used per bay.

We recommend placing heavier items on the lower shelves and cabinets and lighter items towards the top.

We recommend no more than 40kg of uniformly distributed weight per 800mm shelf and cabinet. i.e. books placed across the entire shelf is preferable compared to a single heavy object in the middle of the shelf as this will decrease this weight limit.



The system is not designed to be used as a ladder and must not be used as a seat.

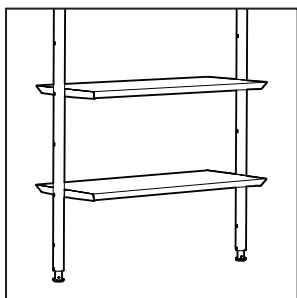


The fold-down cabinet door is not weight rated when open and should never be used as a desk.



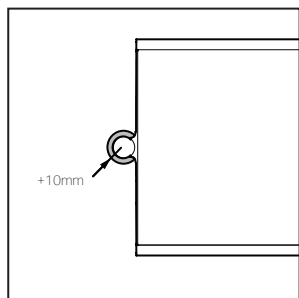
We cannot accept liability for unsuitable wall, floor or ceilings. Prior to purchase you must assess your floor, ceiling and/or wall for suitability of installing floor to ceiling via compression or wall mounted poles. If your planned position is not suitable the installation may need to stop, be repositioned or structure reinforced.

# Other Considerations



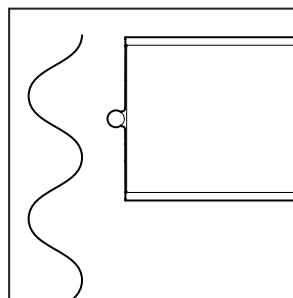
## Minimum components

For structural stability mount at least two modular components in each bay.



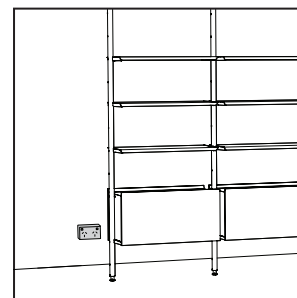
## Large jack cap

The large jack cap requires an additional 10mm floor clearance at each end. Please take the width of skirting boards into account.



## Space for curtains

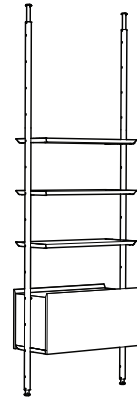
If your system will be placed near a window, ensure space has been allocated for your curtains.



## Powerpoint locations

Consider the location of powerpoints when planning your system.

# Installing floor to ceiling mounted pole

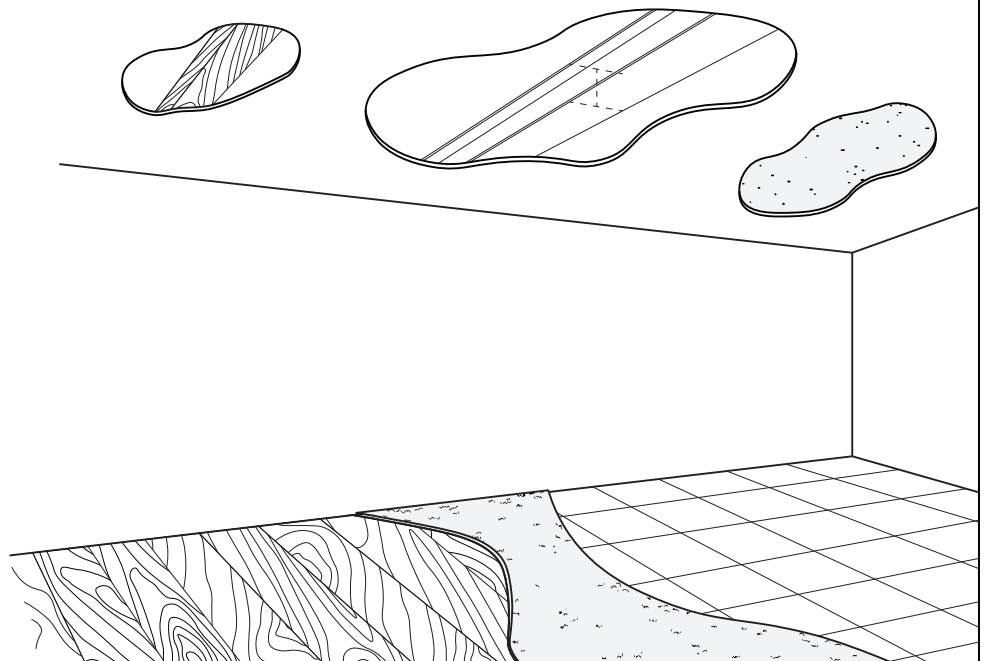


1

Assess floor and ceiling substrate for suitable anchor points for compression installed poles.



If the floor or ceiling substrate is not suitable, the installation may need to stop.



2

Mark Pole Positions

**X Spacing**

Pole centre to centre

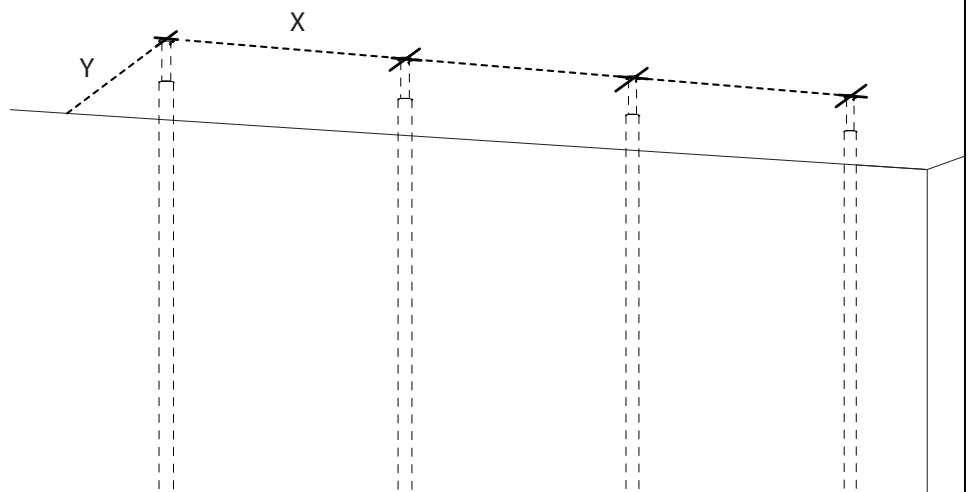
X = 851mm

**Y Spacing**

*If parallel to wall*

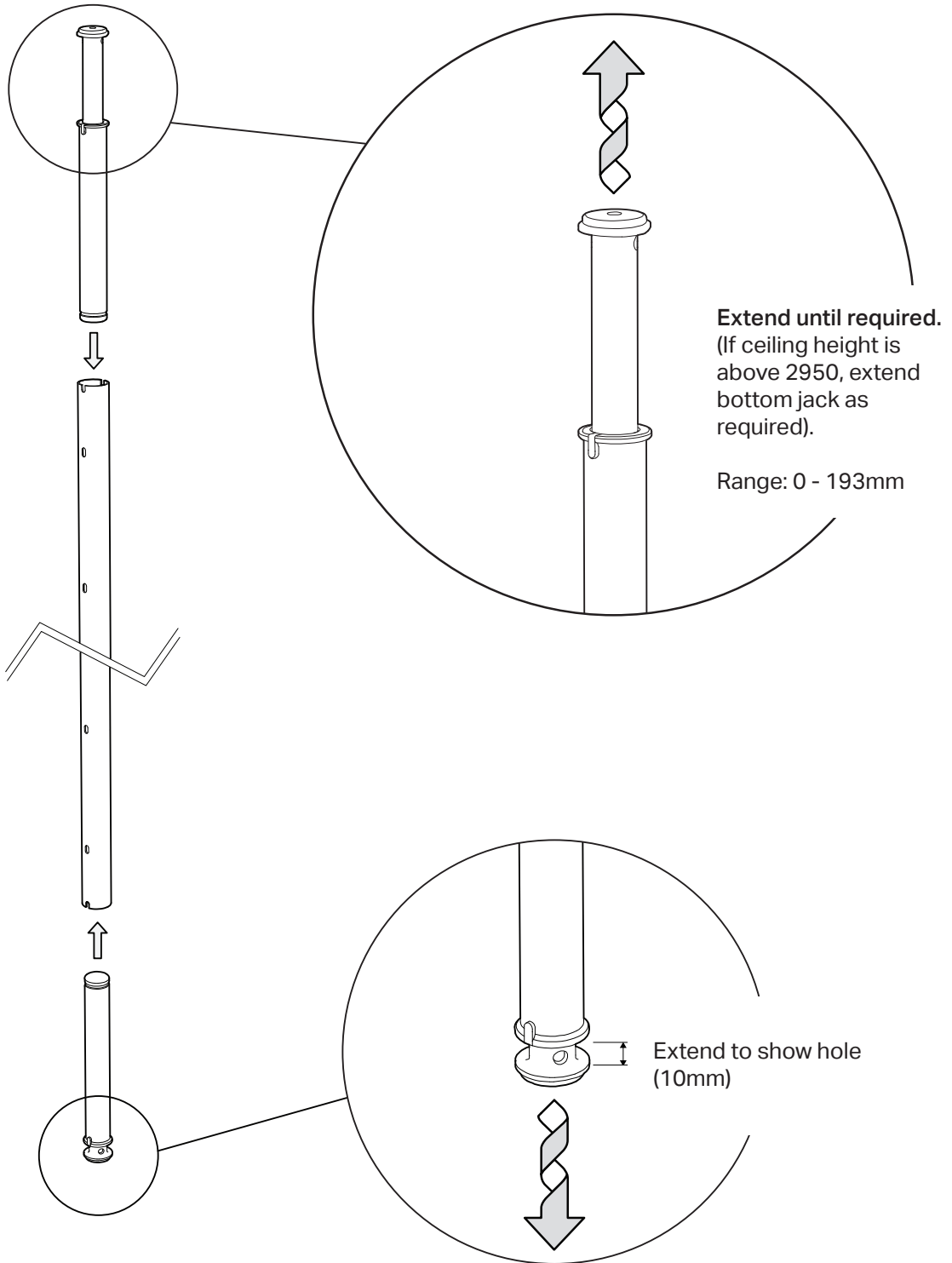
Wall to pole centre

Y = 223mm





Install jack and ceiling mount.

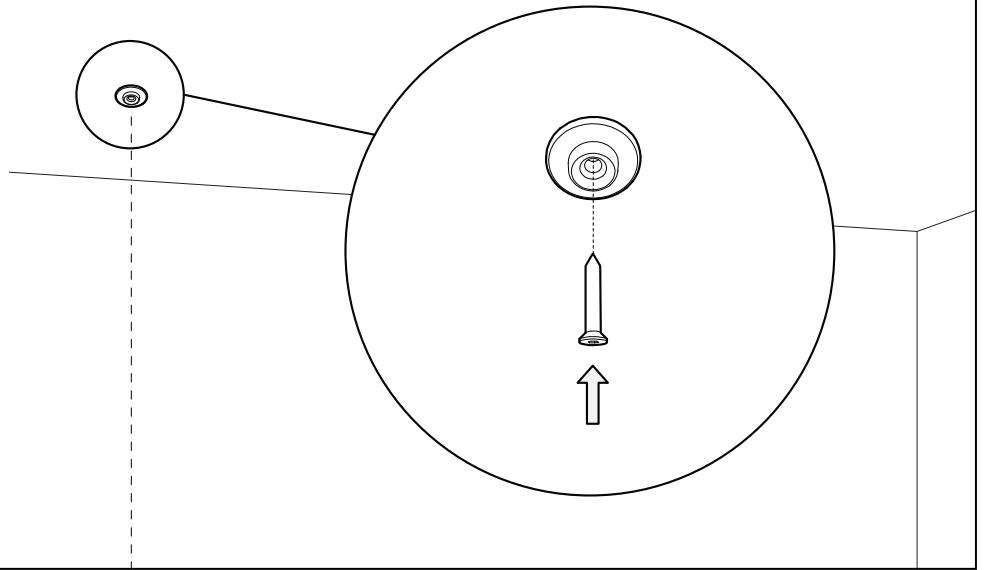


4

Install the cap onto the roof using a screw into the centre of the large or small jack cap.



Use the large pad if the surface may deform. You must always use a screw for all ceiling jack caps.

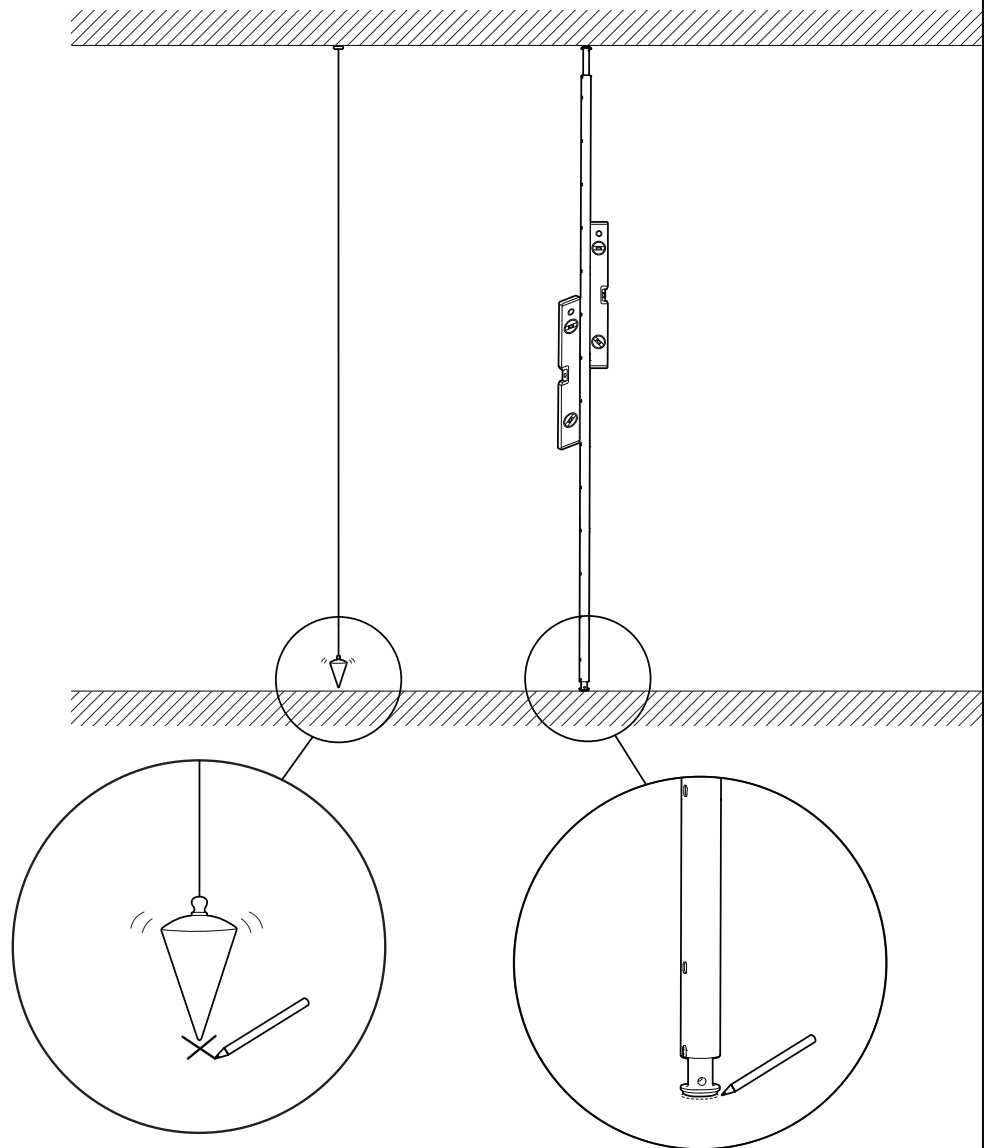


5

Use a plumbob to locate the placement of the jack cap on the floor.

If you are not using a plumbob, partially install the pole using the ceiling jack cap just installed. Use a level to ensure the pole is vertical.

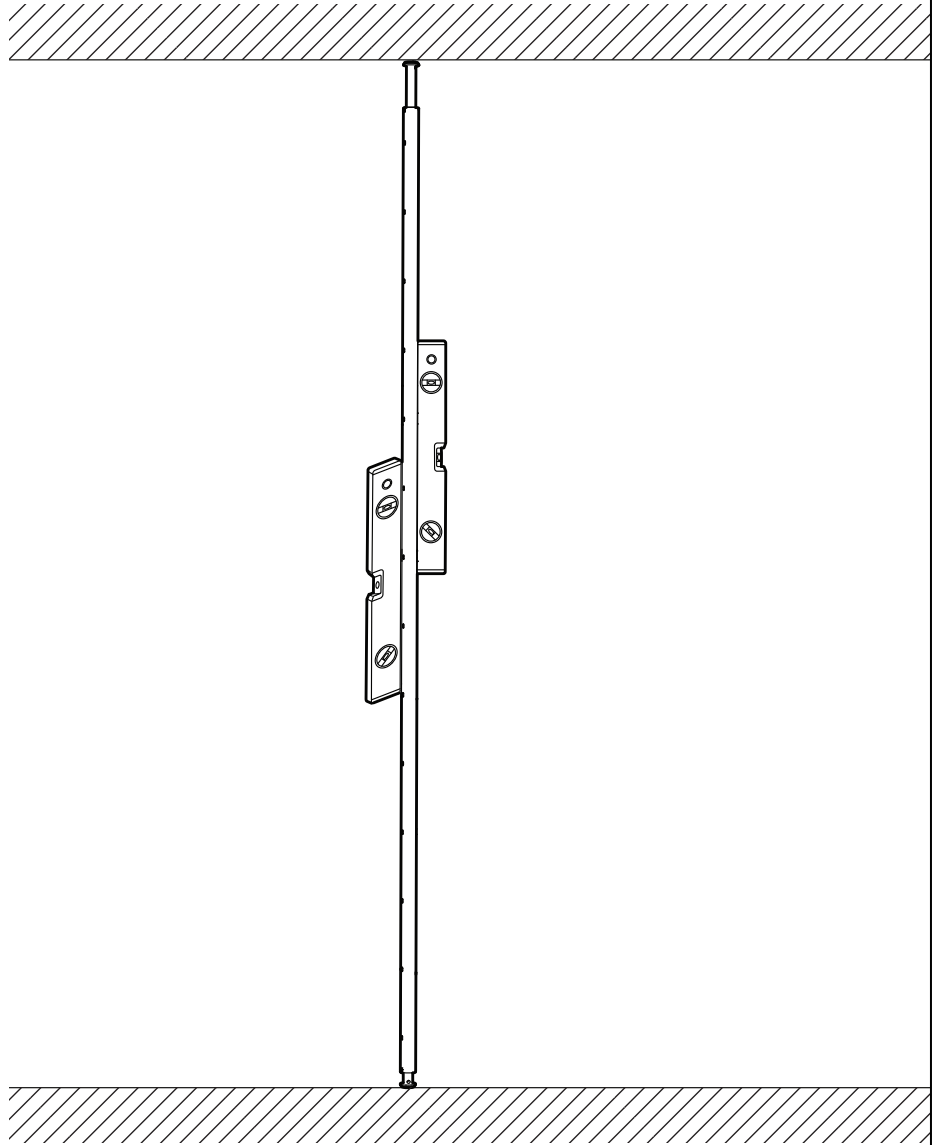
Mark the location of the base of the pole on the floor.



6

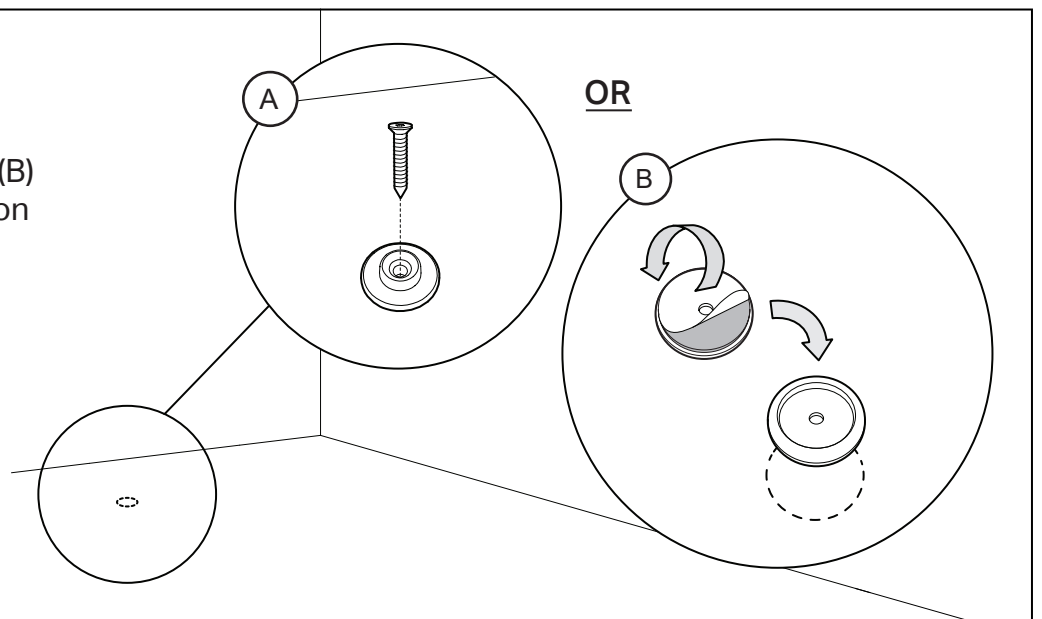
Partially install the pole to ensure the positions you have marked are correct and level.

Remove pole.



7

Install either small jack cap (A) or large jack cap - adhesive (B) to marked position on the floor.

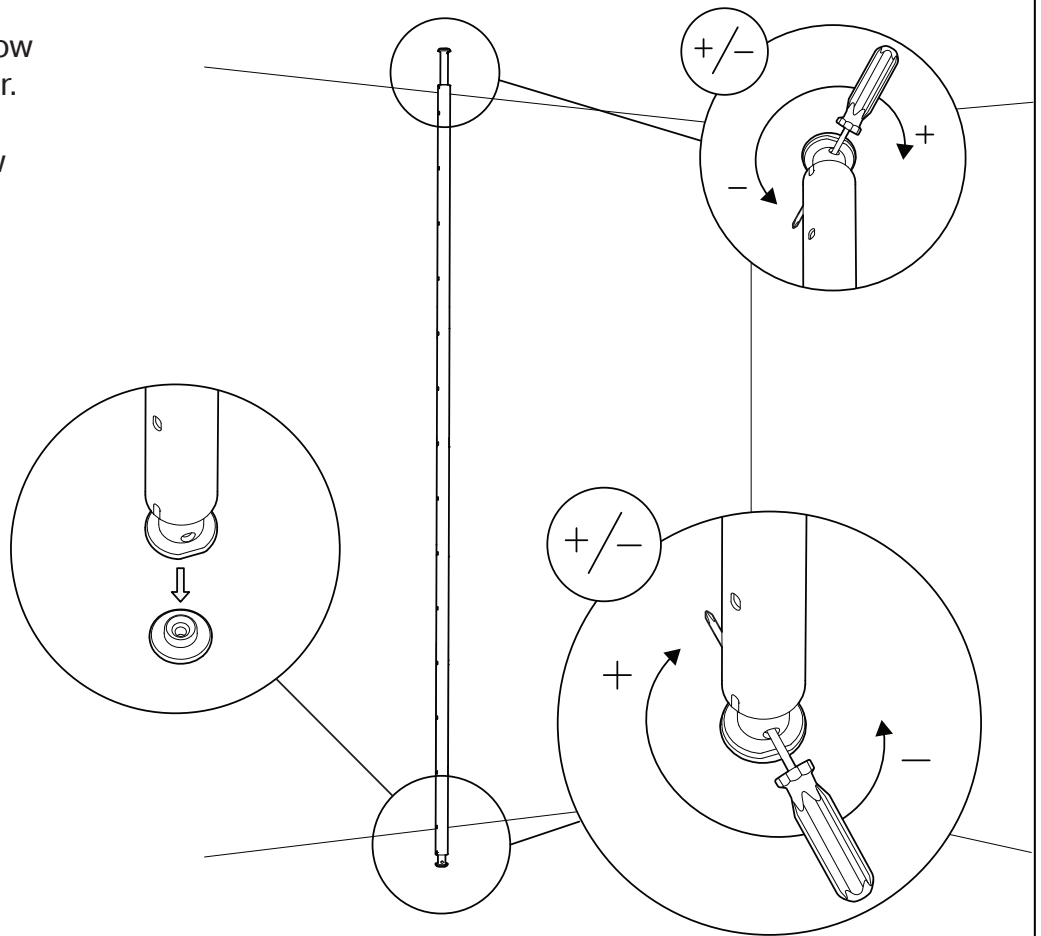


8

Reinstall pole and locate in jack cap now installed on the floor.

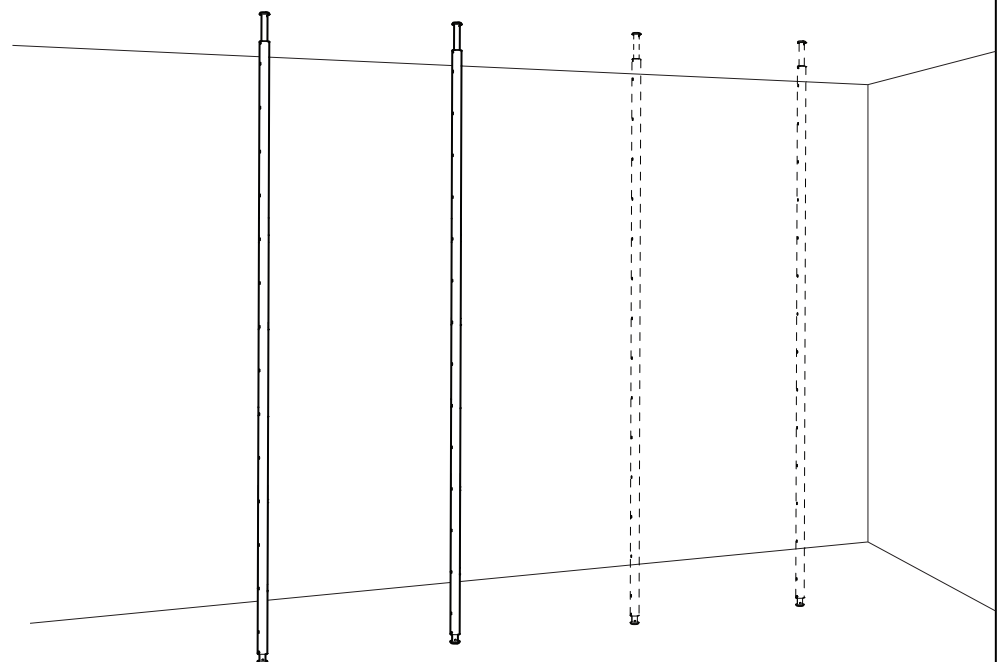
Tighten using screw driver through the hole in the bottom jack.

If ceiling height is above 2950mm, extend the bottom jack as required.



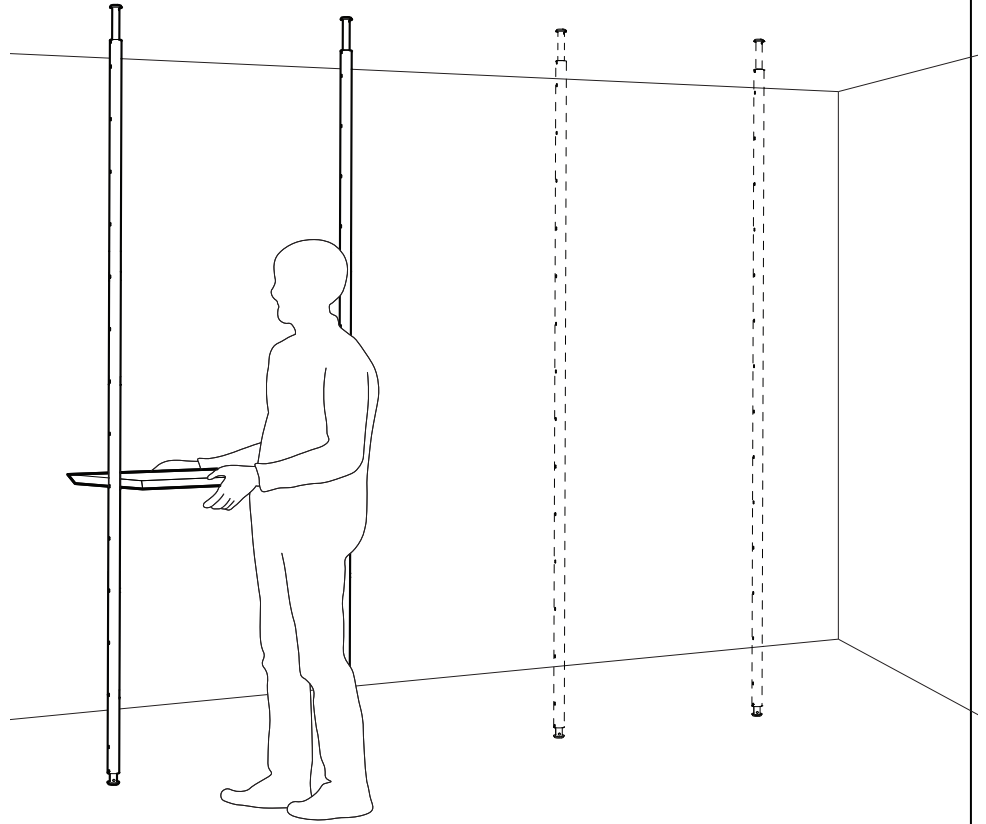
9

Repeat for one additional pole.



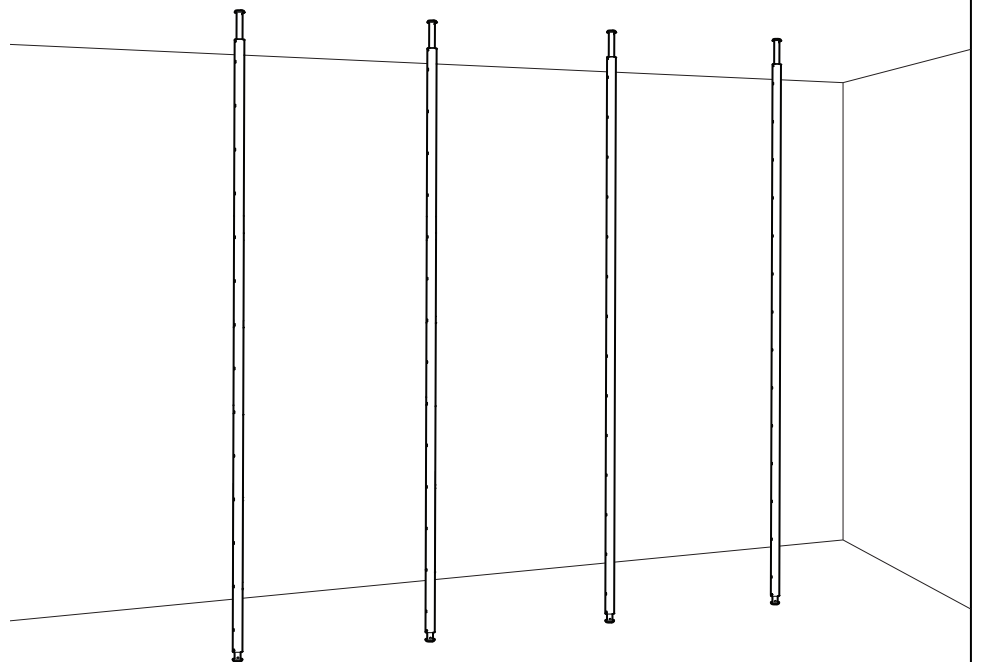
10

Ensure pole distance is correct. Check spacing with a shelf or cabinet.

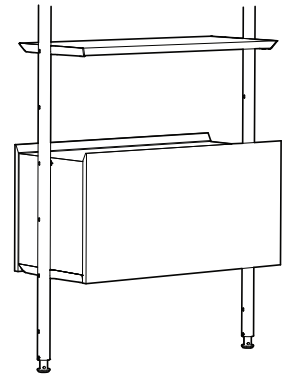


11

Repeat for all required poles, checking spacing is correct after each pole is installed.

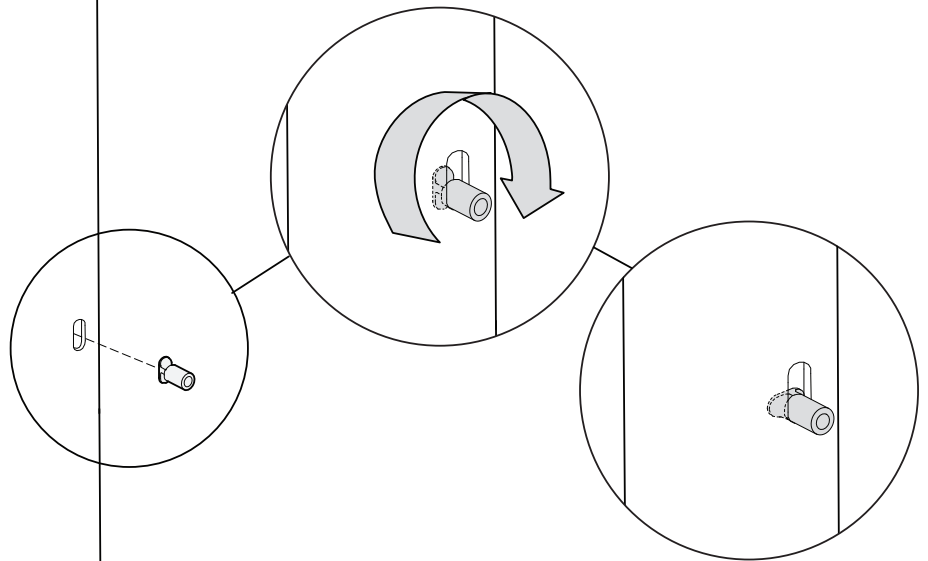


# Installing components on poles



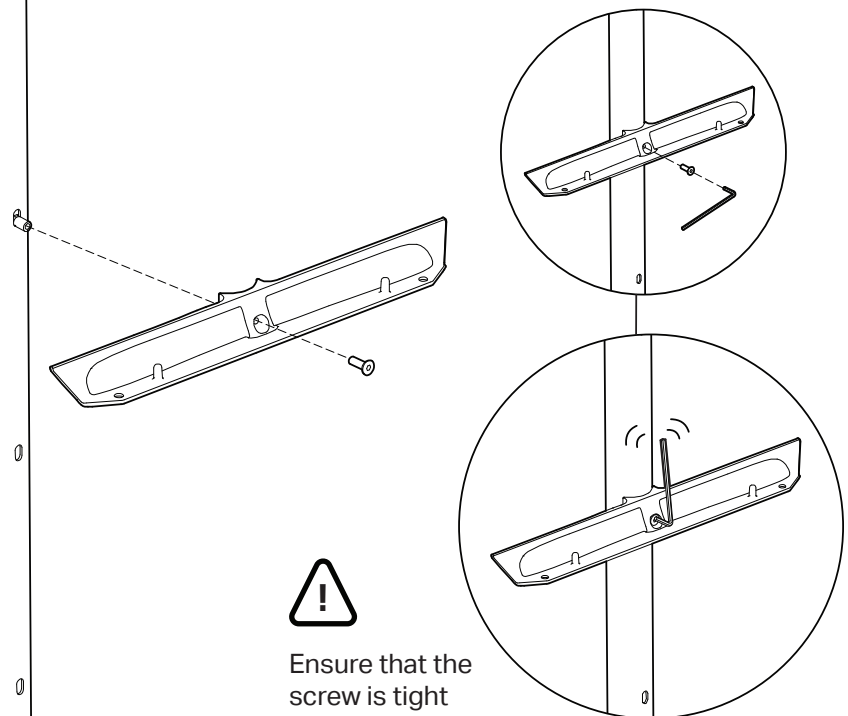
1

Insert toggle and turn 90 degree.

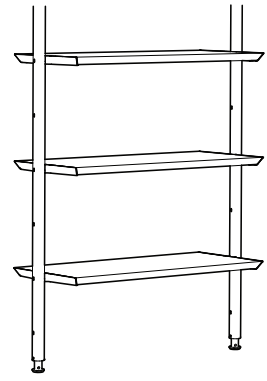


2

Insert screw through bracket into toggle.

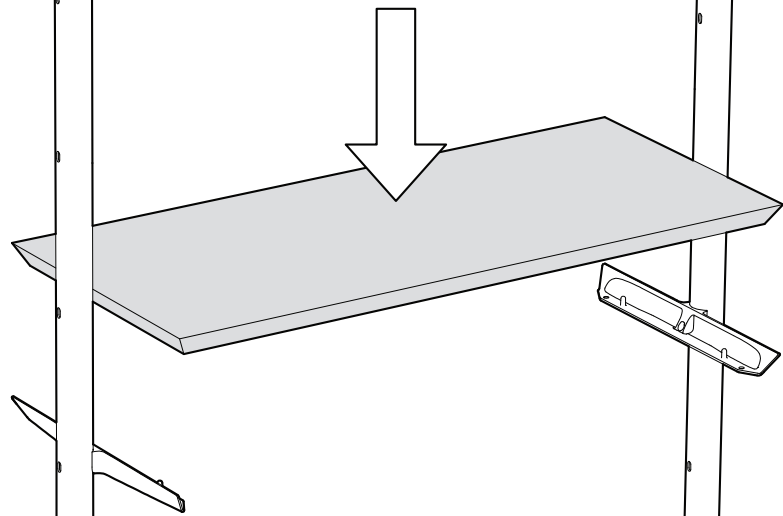


# Installing shelves



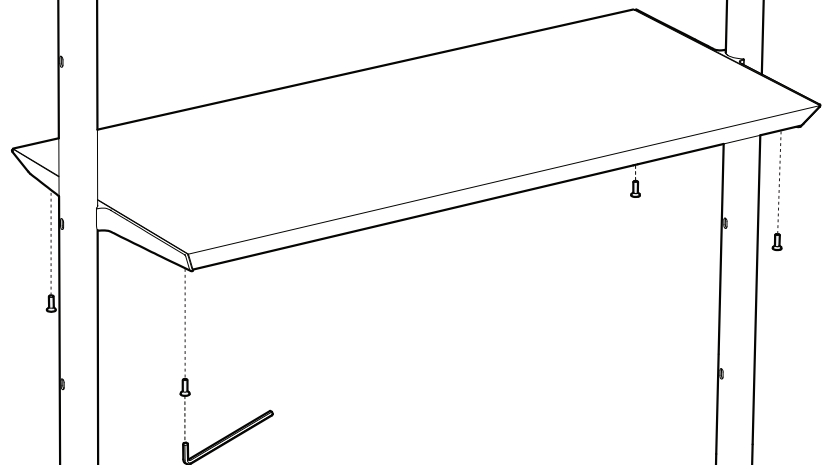
1

Place shelf on bracket pair.

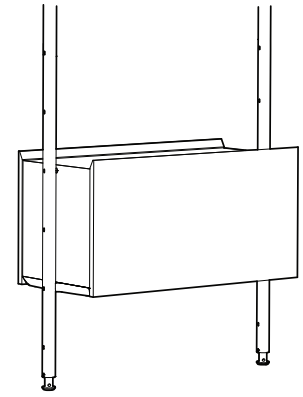


2

Install (4x) black screws in base of component.

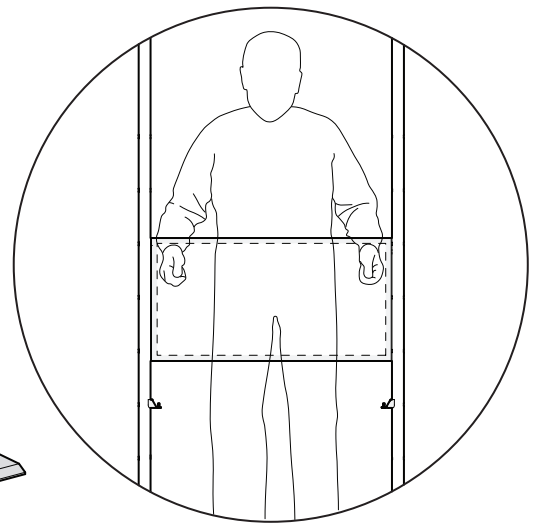
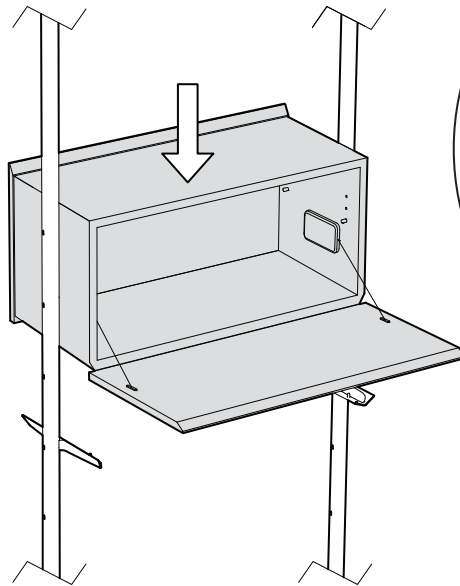


# Installing cabinets



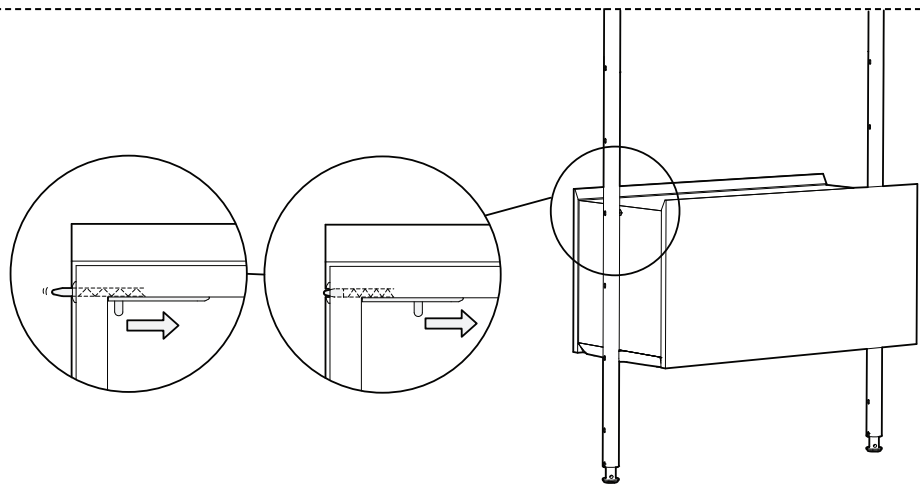
1

Place both arms inside the cabinet and gently lower onto the brackets.



The spring pin on the side of the cabinet should self locate into a corresponding hole on the pole.

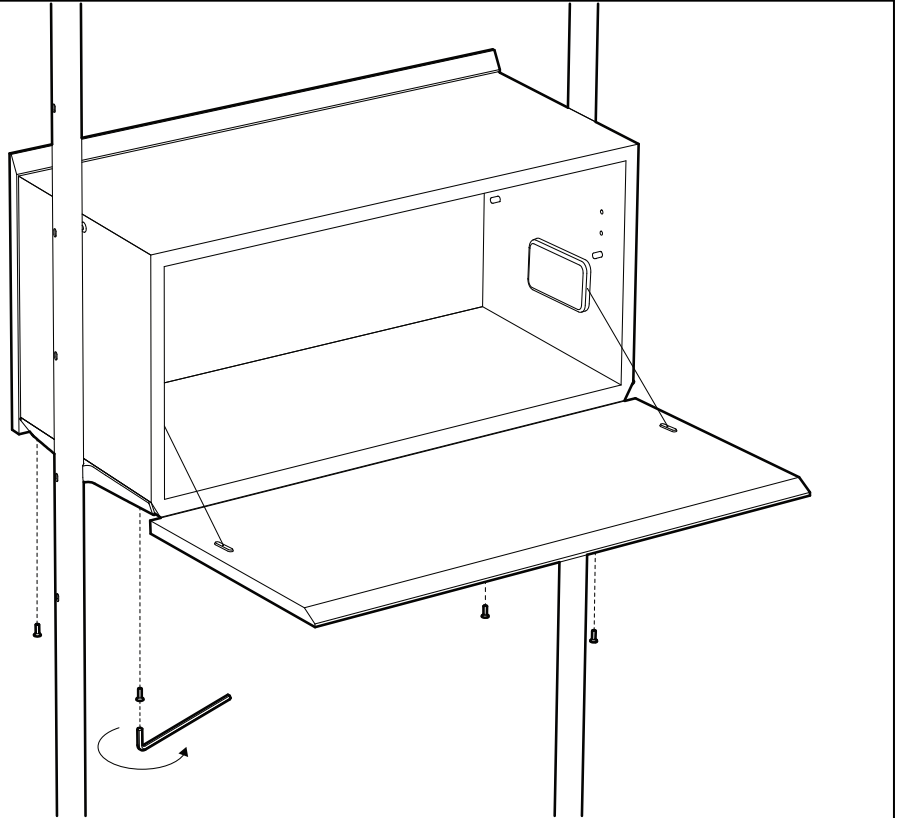
This can also be manually adjusted inside the cabinet.





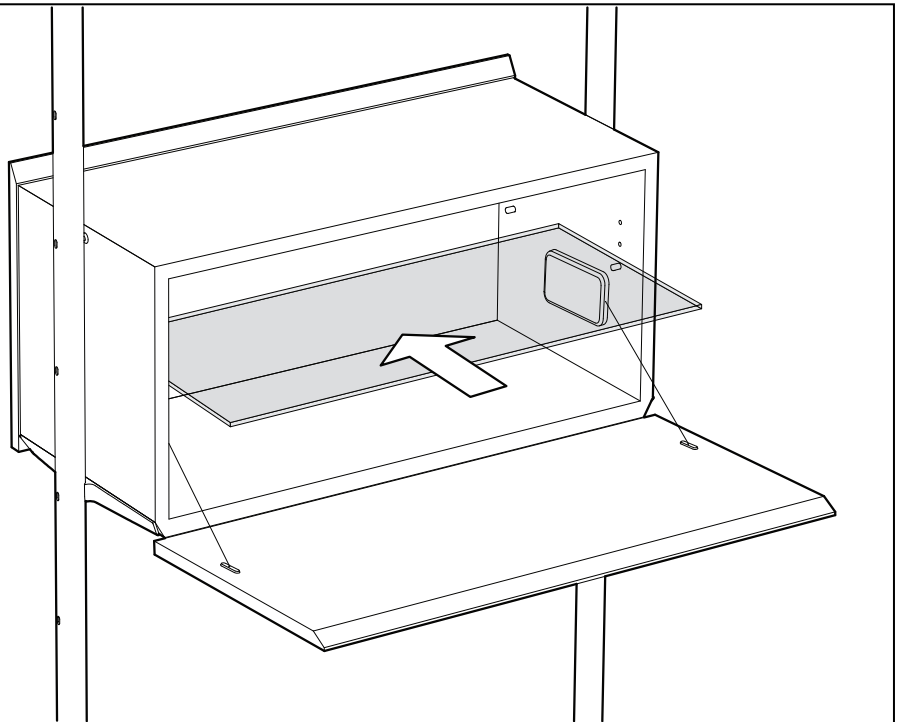
2

Install (4x) screws in base of component.

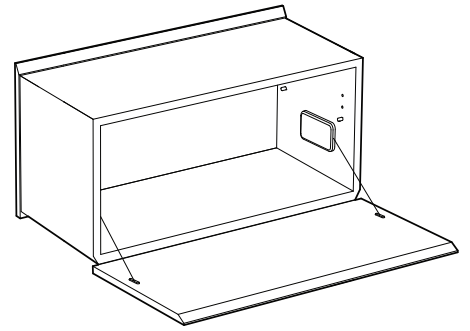


3

Install glass shelf.

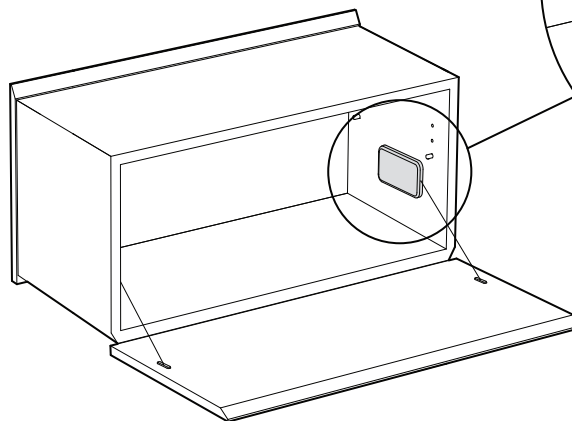


# Fold-down cabinet wire adjustment

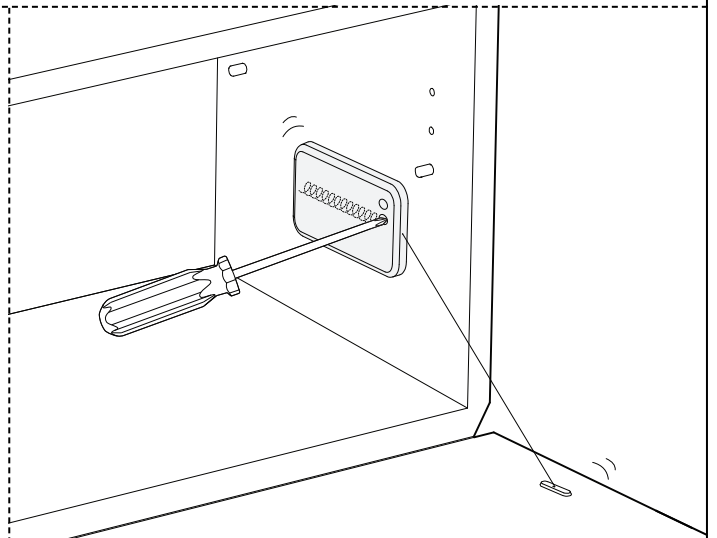
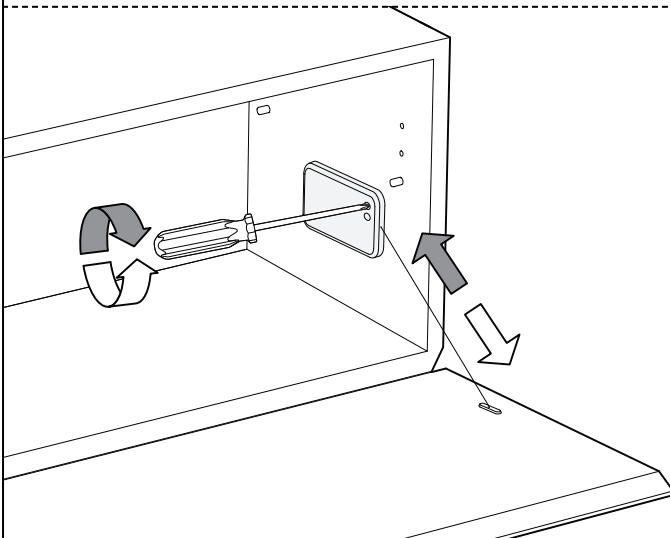


If doors do not align, adjust cable length with a screwdriver on both sides of the cabinet.

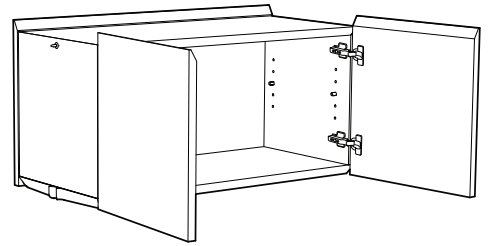
Remove the plastic cover to access adjustment screws.



Always hold the door during adjustment.



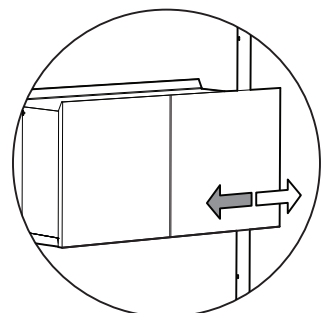
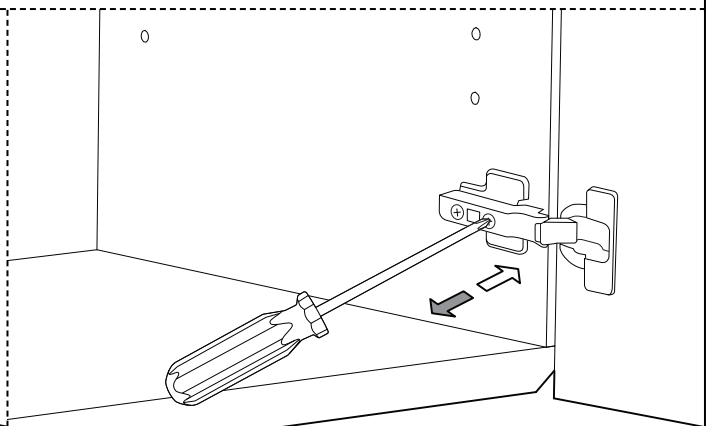
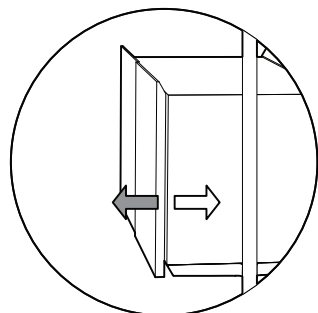
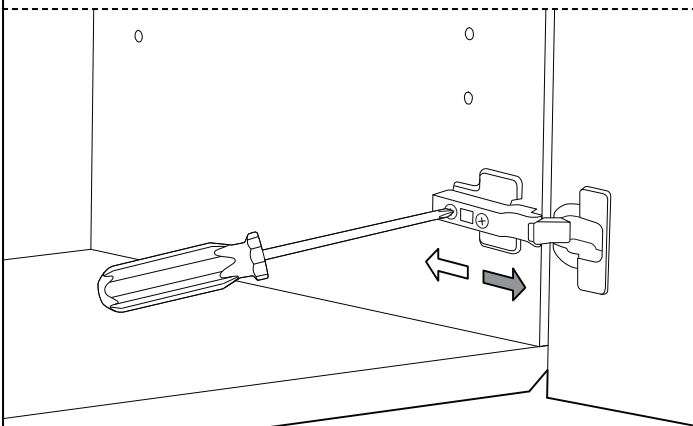
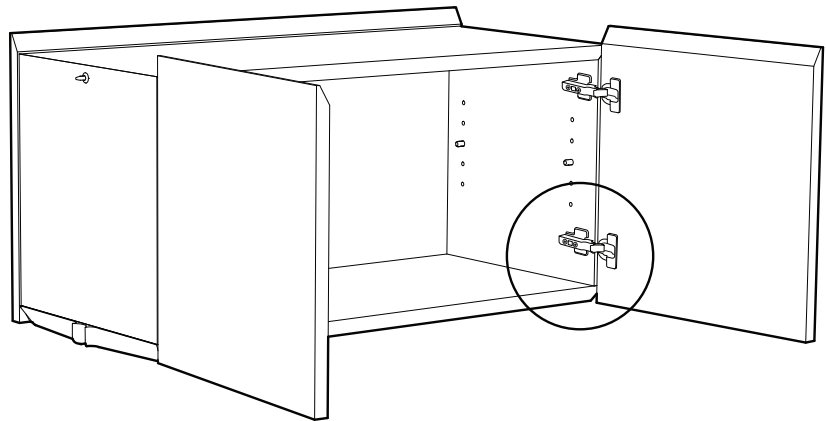
# Twin-door hinge adjustment



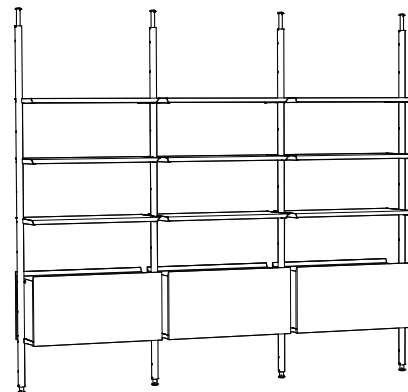
If doors do not align, adjust hinges with a screwdriver on both sides of the cabinet.



Always hold the door during adjustment.



# Final adjustments



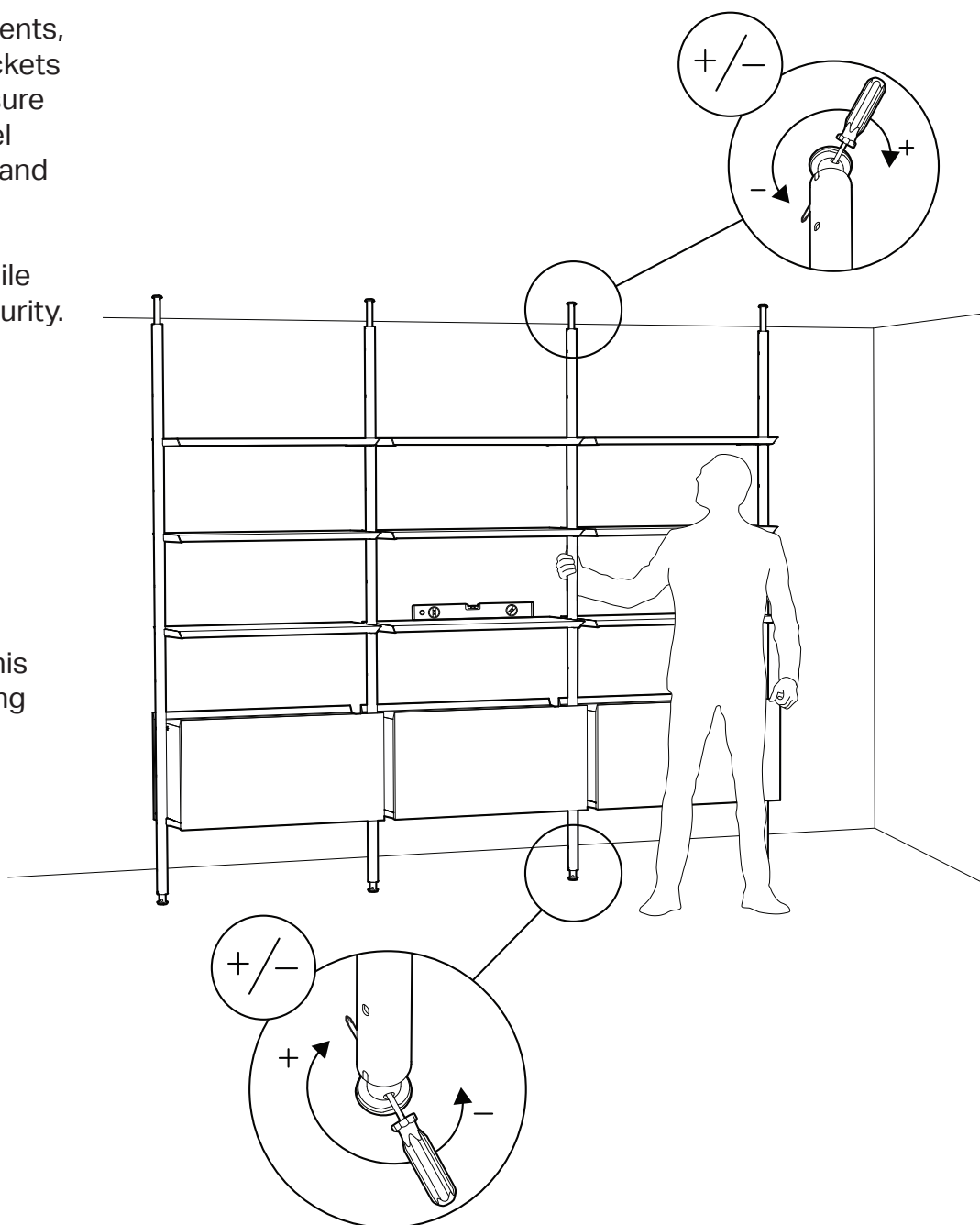
1

After all components, shelves and brackets are installed, ensure surfaces are level by adjusting top and bottom jack.

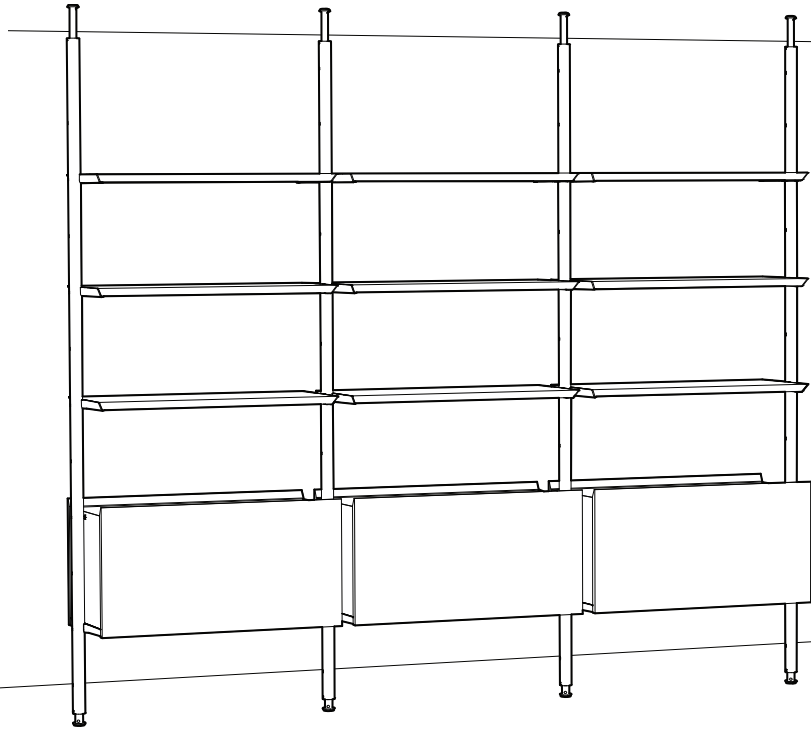
Hold the pole while adjusting for security.



Only complete this step after shelving system is fully assembled.



Congratulations!  
You have finished  
installing your Vertio  
Wall System.



You have completed installing your Vertio Wall System.

For further support, please contact King  
Customer Care. Contact details are listed below.

#### KING CUSTOMER CARE:

##### AUSTRALIA:

T 1300 135 464  
E [service@kingliving.com.au](mailto:service@kingliving.com.au)  
W [kingliving.com.au](http://kingliving.com.au)

##### NEW ZEALAND:

T 0800 546 422  
E [service@kingliving.co.nz](mailto:service@kingliving.co.nz)  
W [kingliving.co.nz](http://kingliving.co.nz)

##### SINGAPORE:

T +65 6805 4198  
E [aftersales@kingliving.com.sg](mailto:aftersales@kingliving.com.sg)  
W [kingliving.com.sg](http://kingliving.com.sg)

##### MALAYSIA:

T +603 7732 0272  
E [aftersales@kingliving.my](mailto:aftersales@kingliving.my)  
W [kingliving.my](http://kingliving.my)

##### CANADA:

T +1 236 521 6666  
E [granvillecs@kingliving.ca](mailto:granvillecs@kingliving.ca)  
W [kingliving.ca](http://kingliving.ca)

##### SHANGHAI:

T +86 21 5882 1888  
E [shanghai@kingliving.com](mailto:shanghai@kingliving.com)  
W [kinglivingaustralia.com.cn](http://kinglivingaustralia.com.cn)