

## 1977 Sofa

### Assembly | User Guide

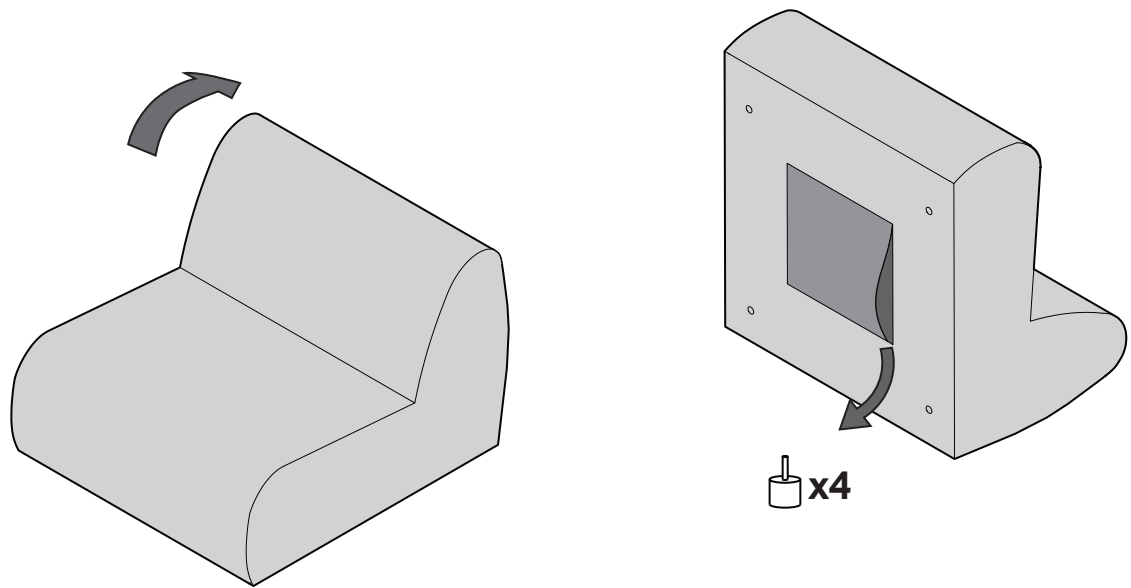
Two people are required for safe assembly

#### Opening Boxes:

DO NOT use a knife to open the packaging as you may damage your furniture.  
Peel off the tape, then lift & separate the cardboard flaps to open.

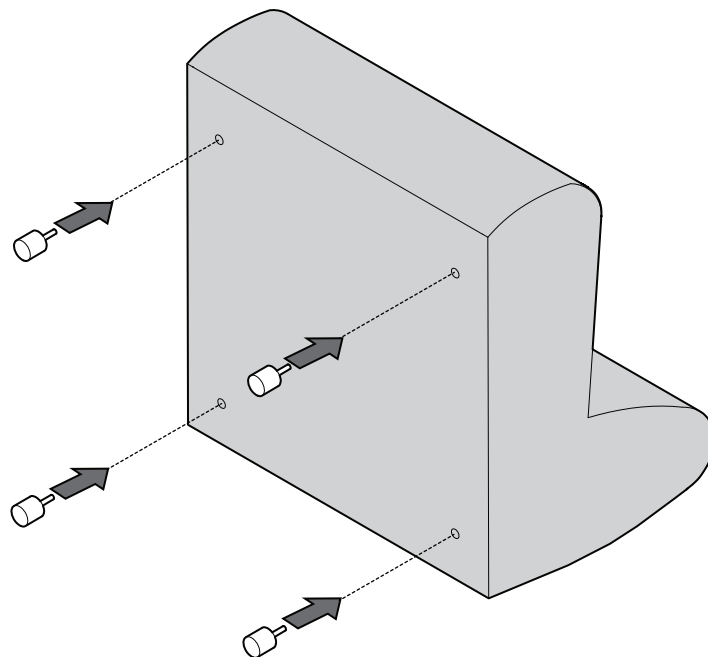
Assemble your furniture by following the instructions below.

1

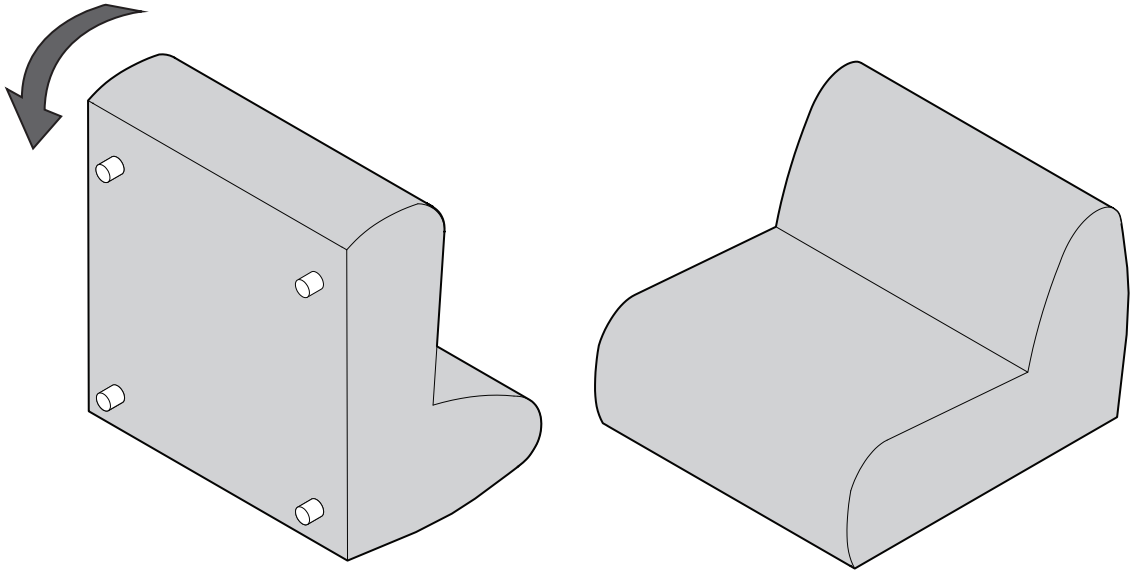


2

x4



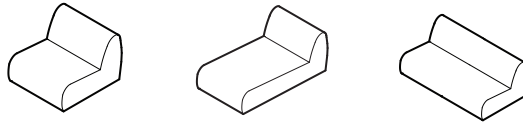
3



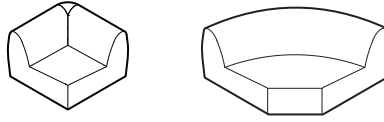
## 1977 Sofa

### Cover Removal & Installation | User Guide

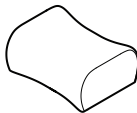
See Instruction Steps: Chair | Chaise | 2-Seater



See Instruction Steps: Corner | Curve



See Instruction Steps: Ottoman

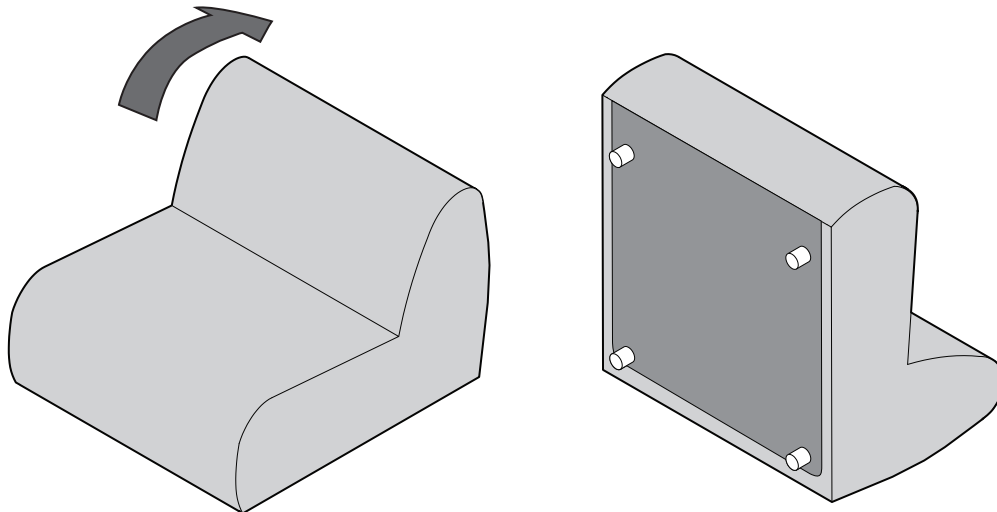


See Instruction Steps: High Back

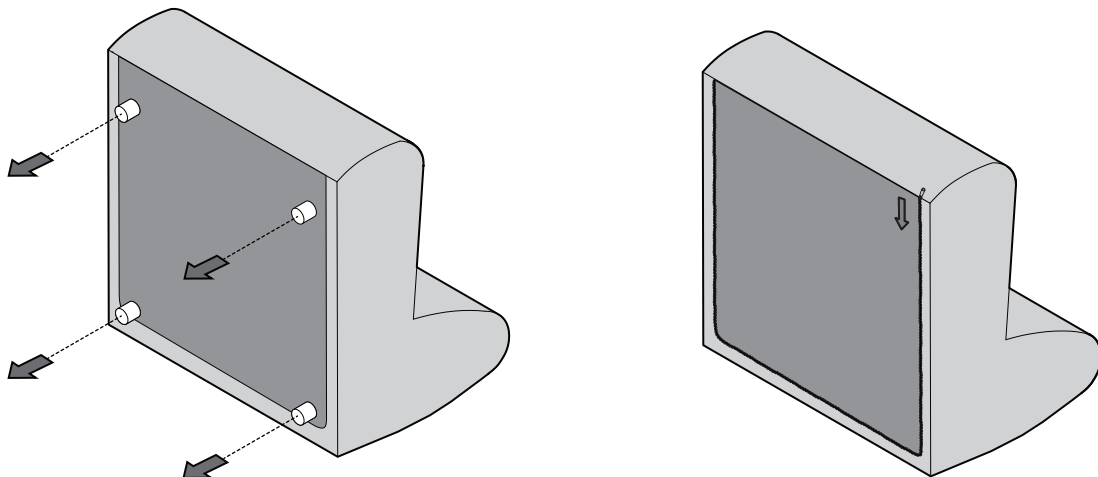


### Cover Removal: Chair | Chaise | 2-Seater

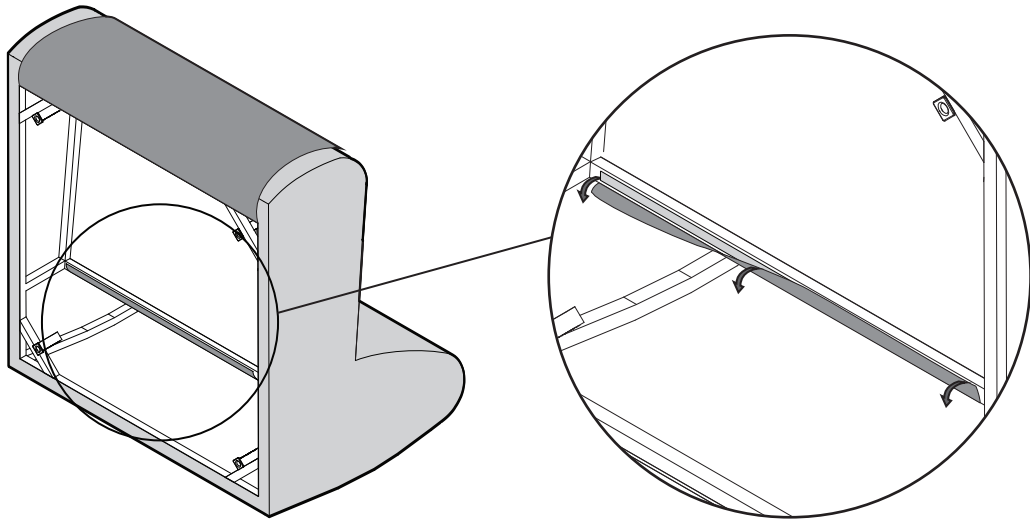
1



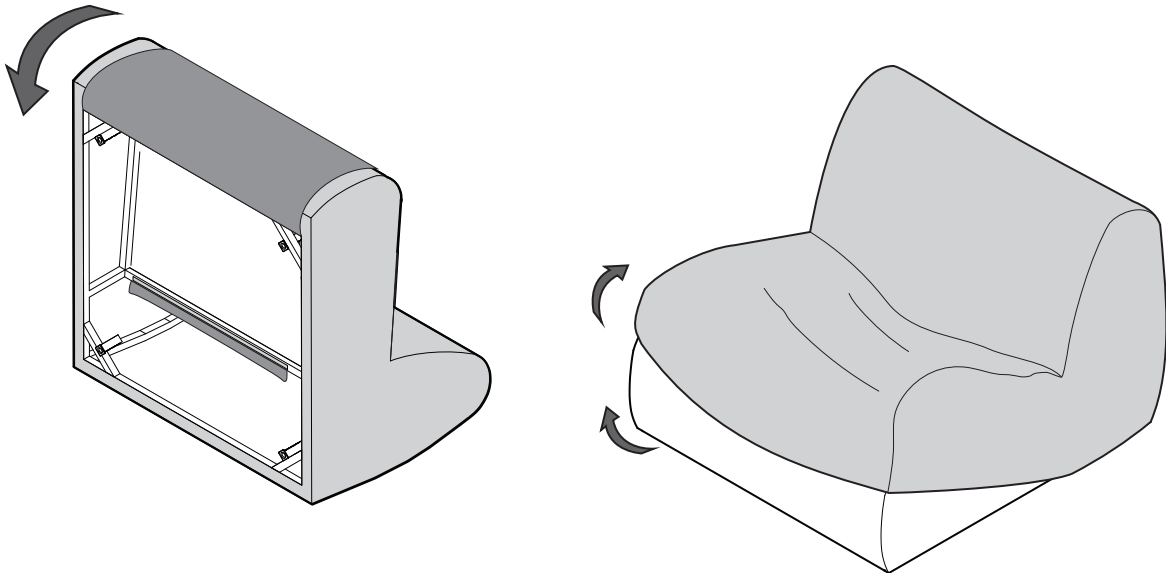
2



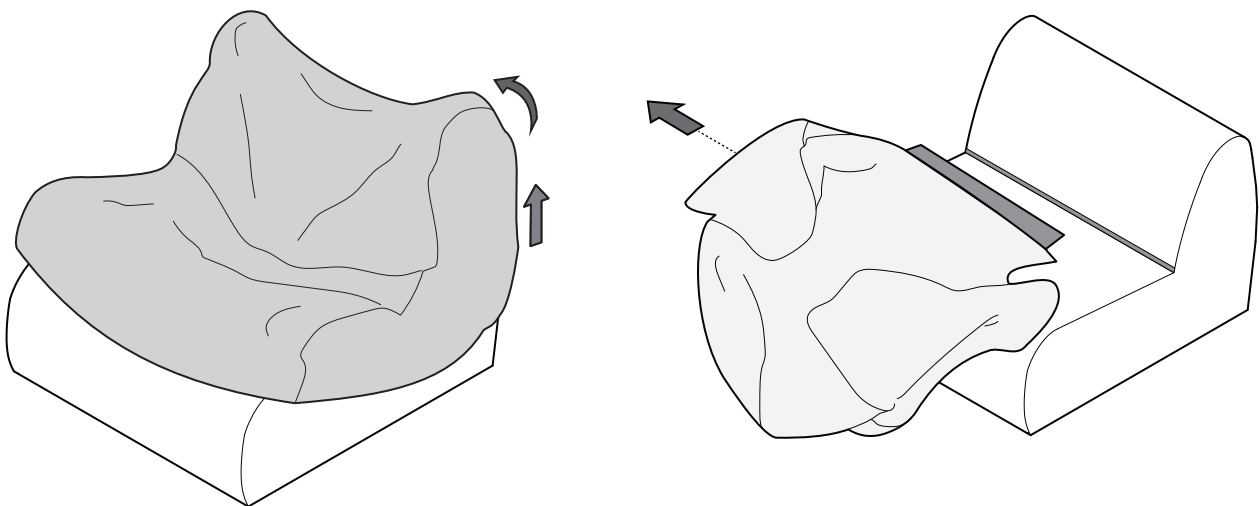
3



4

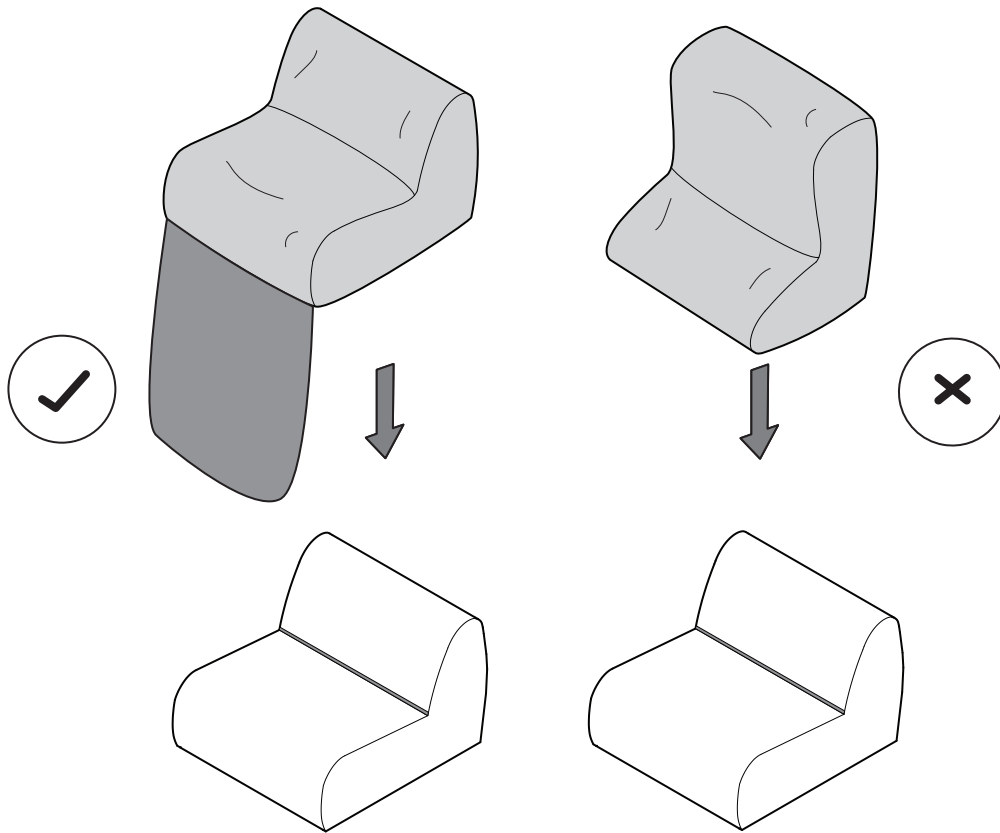


5



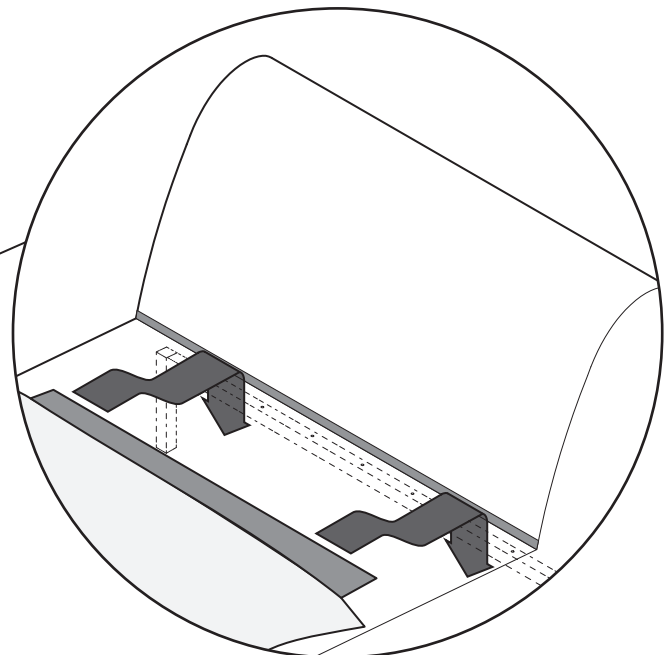
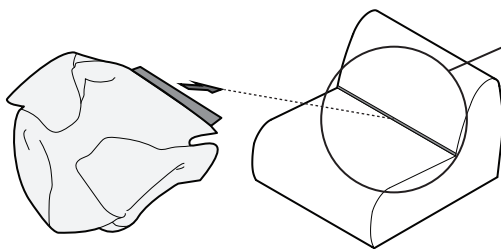
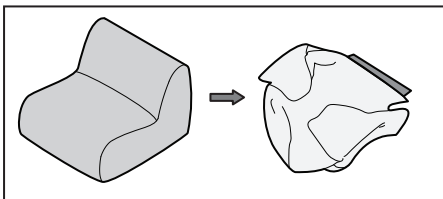
## Cover Installation: Chair | Chaise | 2-Seater

1

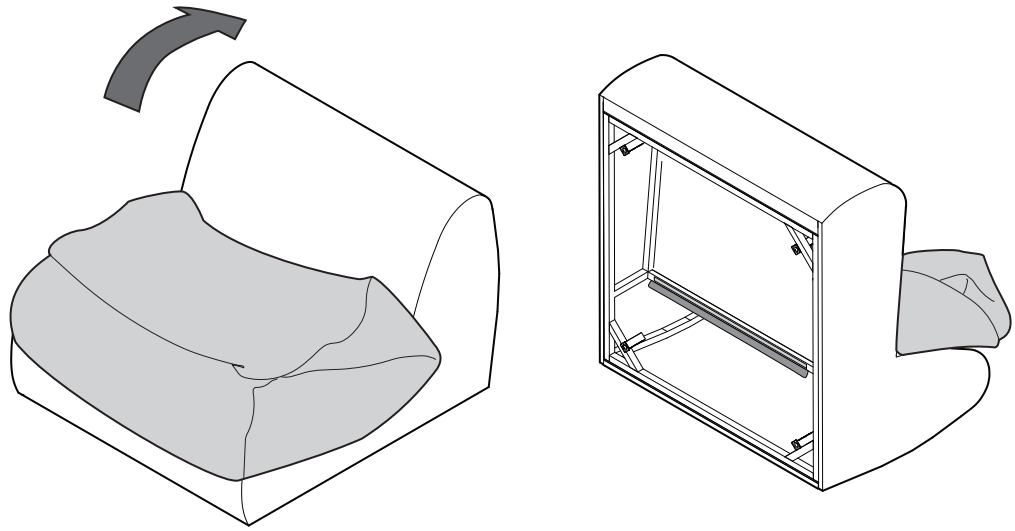


Line up side panels of cover and module before applying cover

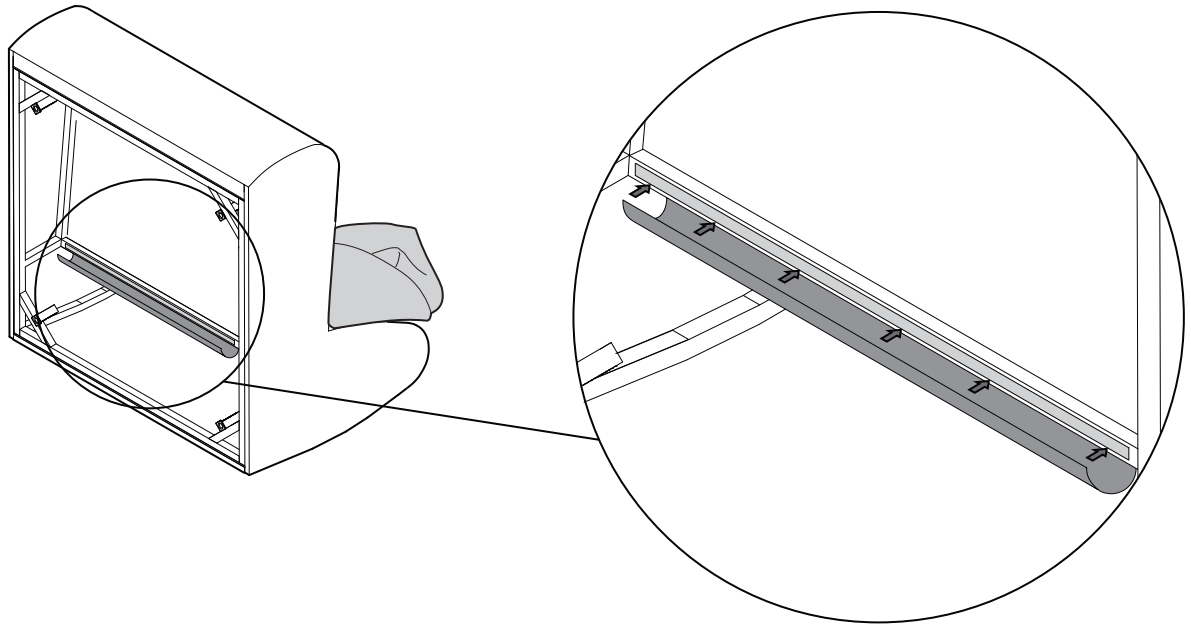
2



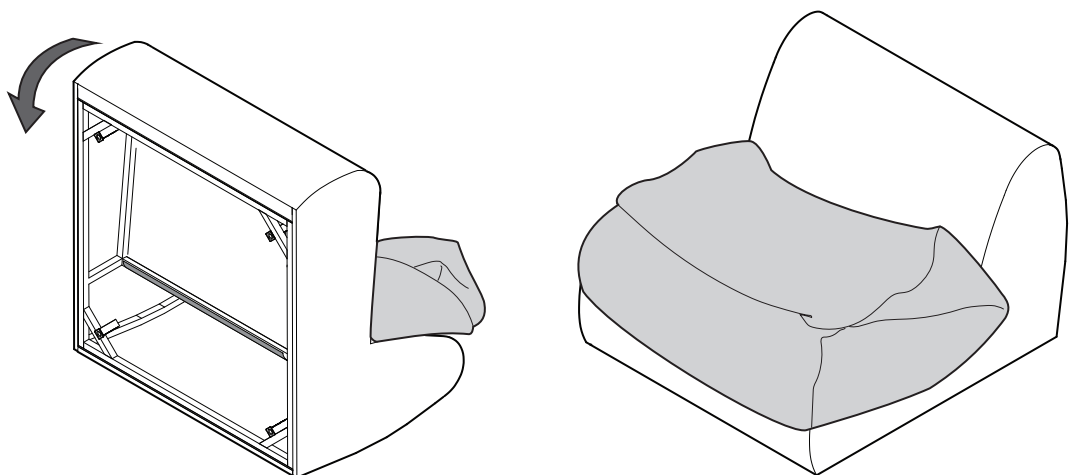
3



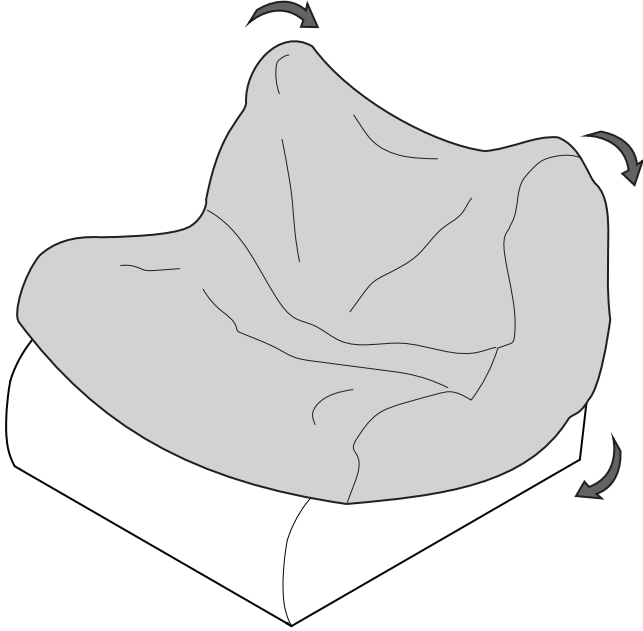
4



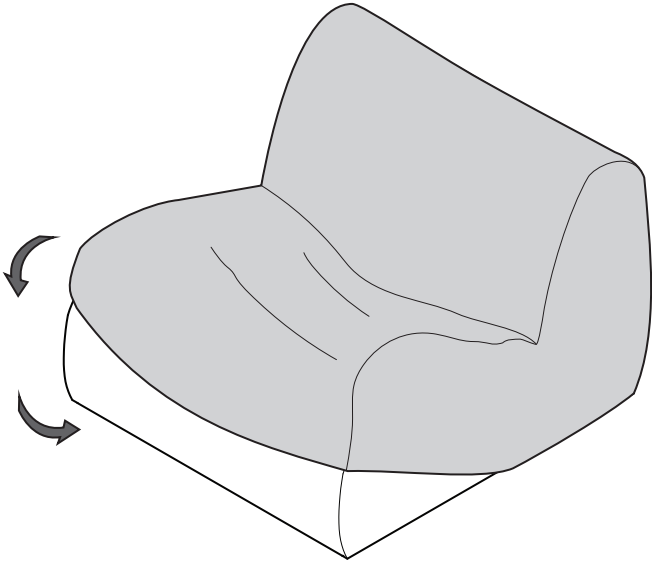
5



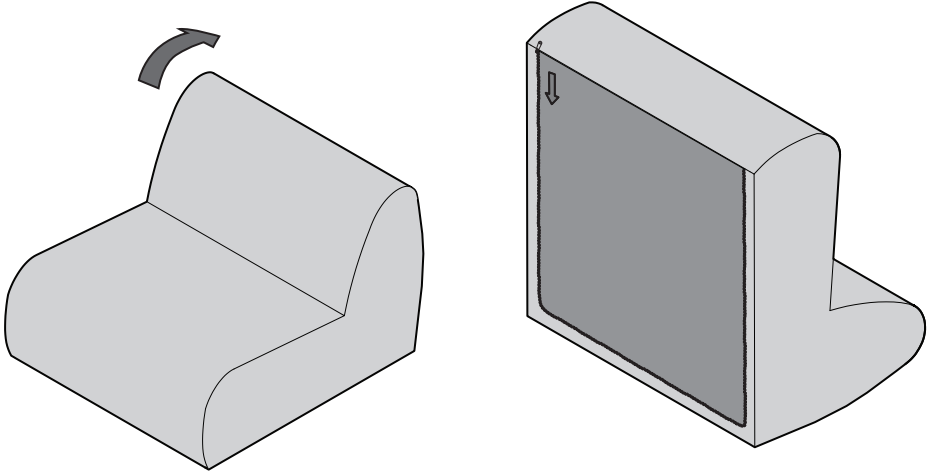
6



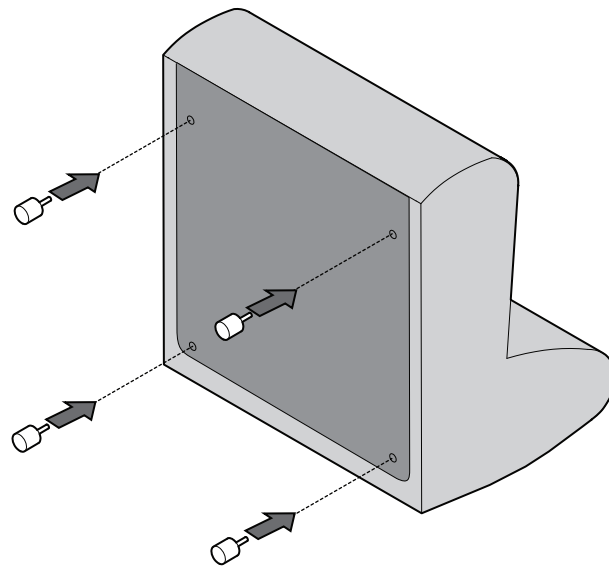
7



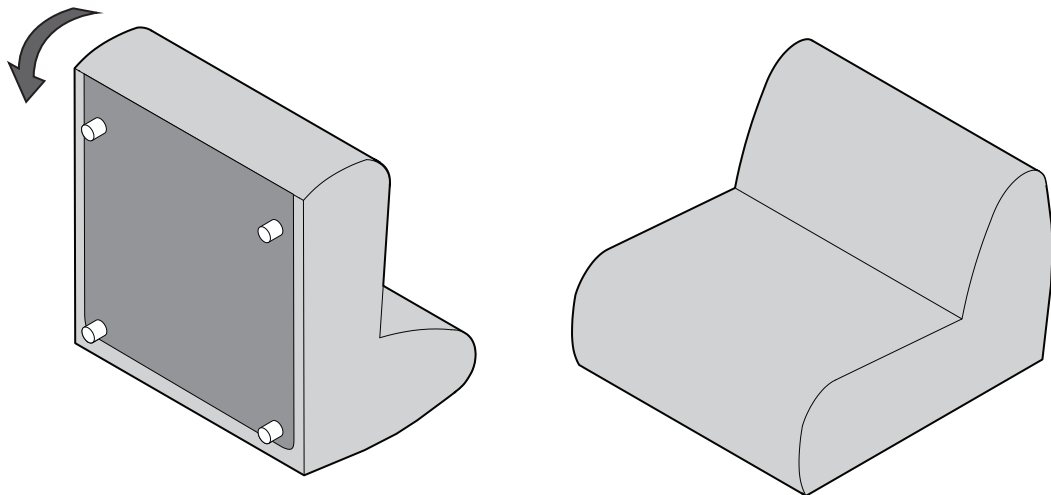
8



9



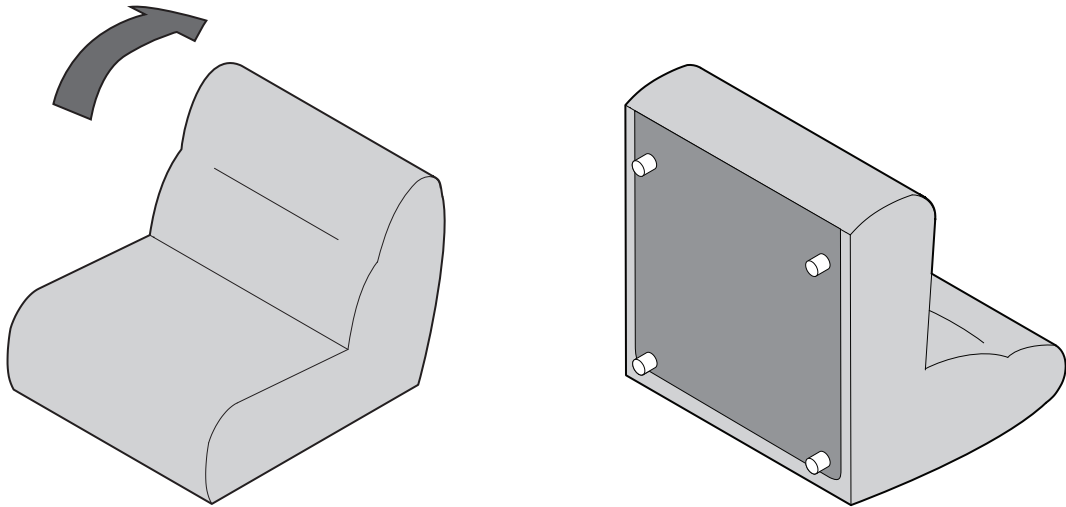
10



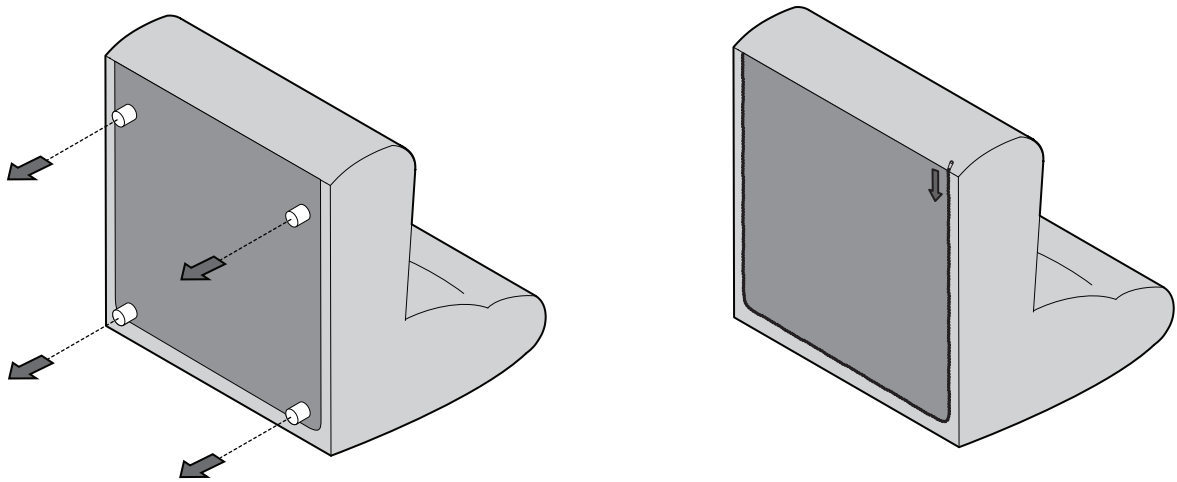


## Cover Removal: High Back

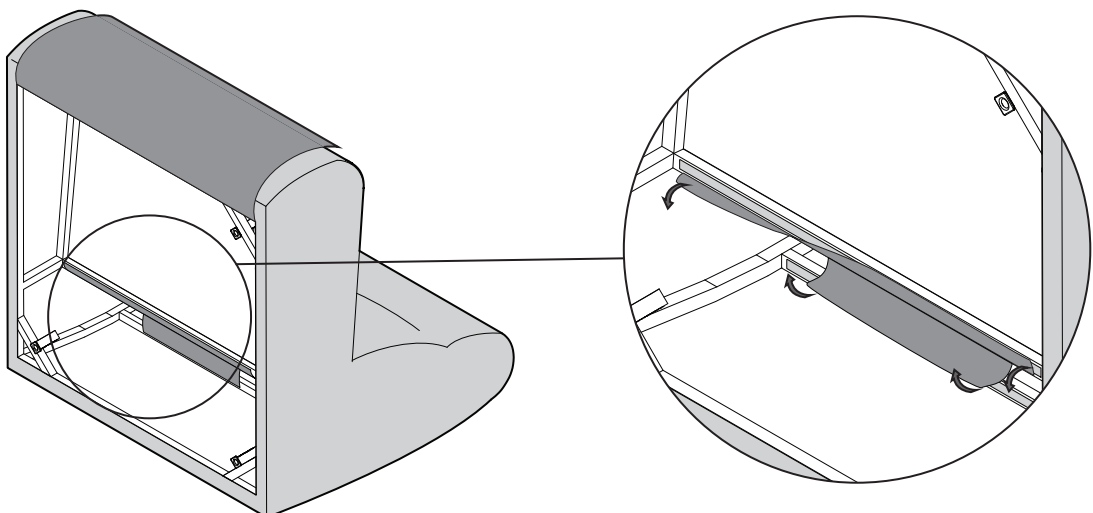
1



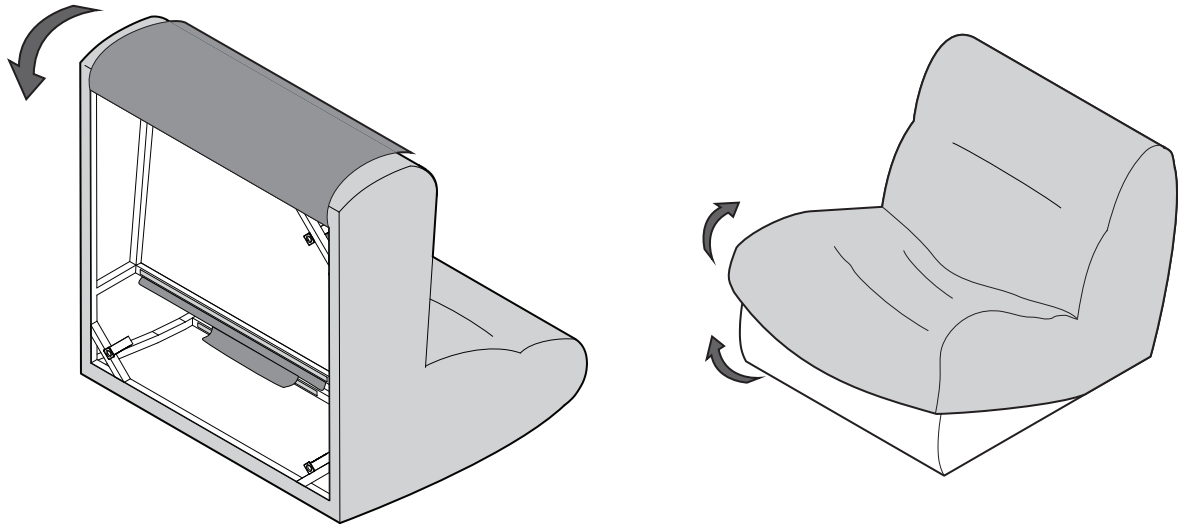
2



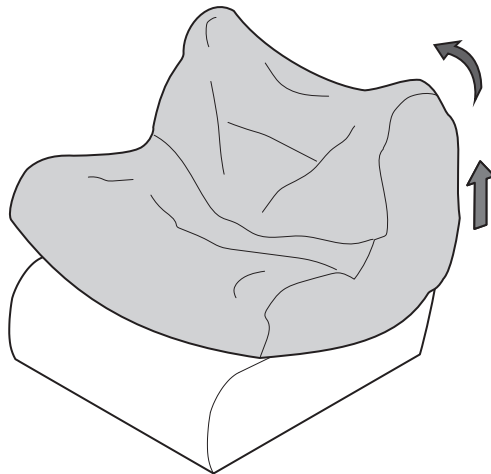
3



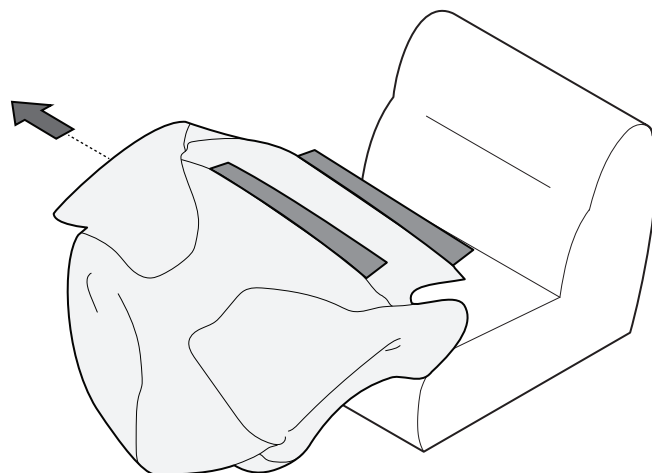
4



5

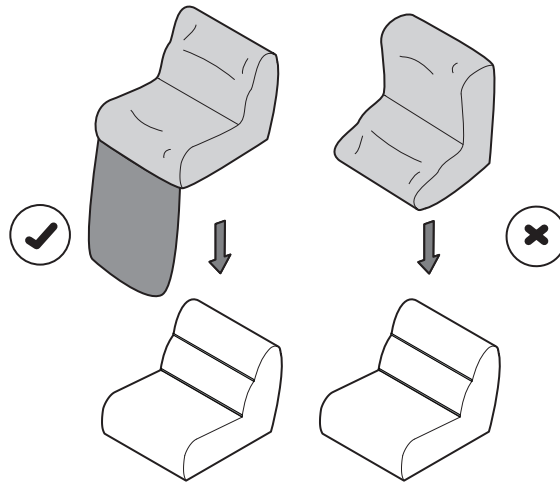


6



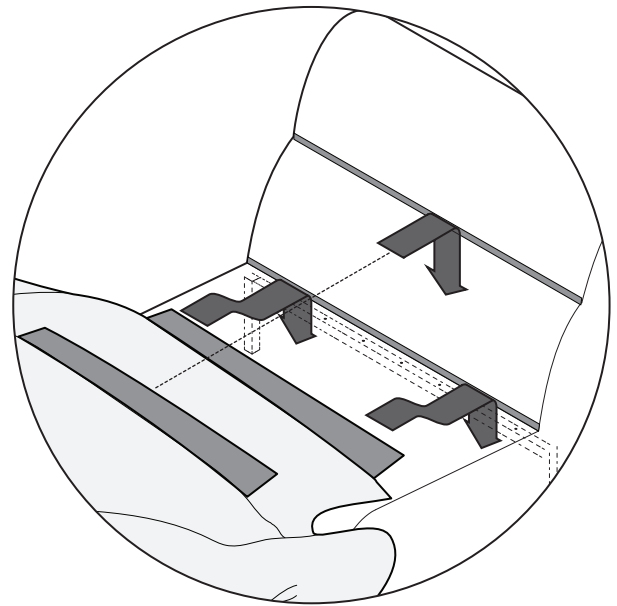
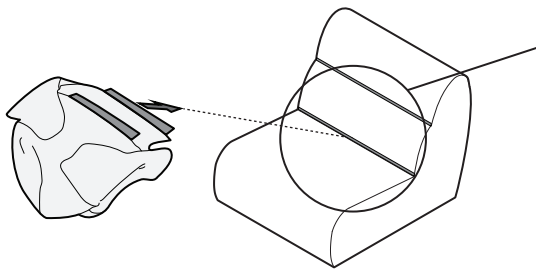
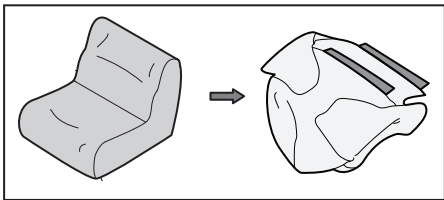
## Cover Installation: High Back

1

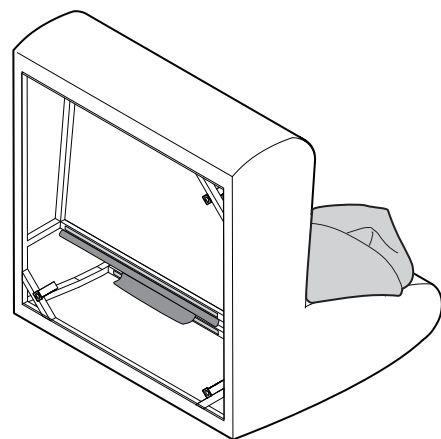
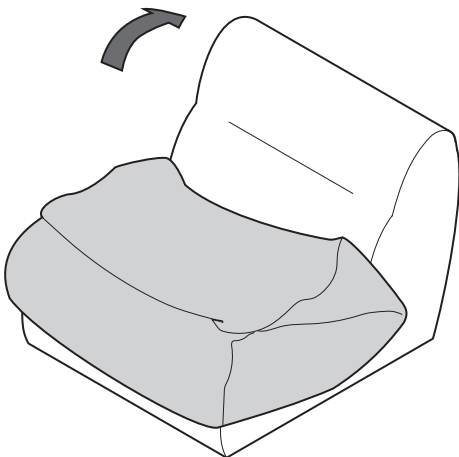


Line up side panels of cover and module before applying cover

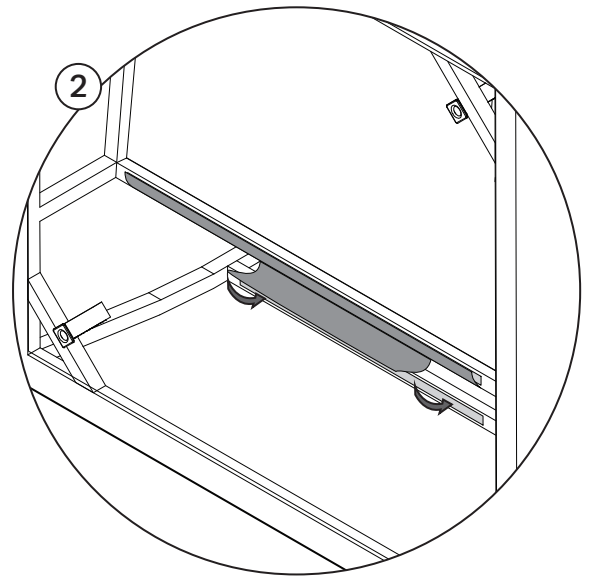
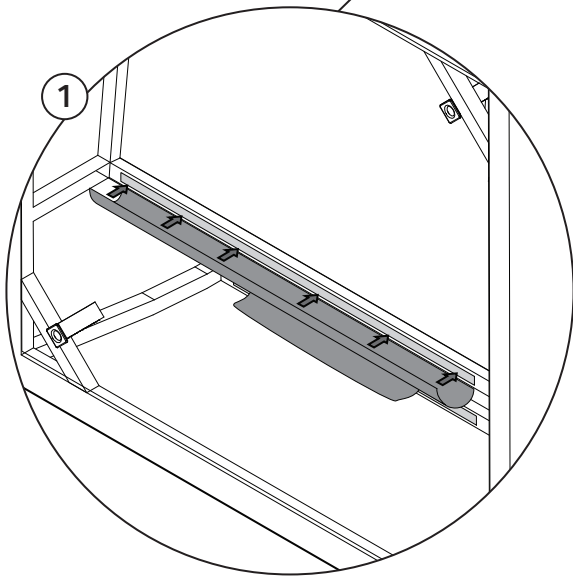
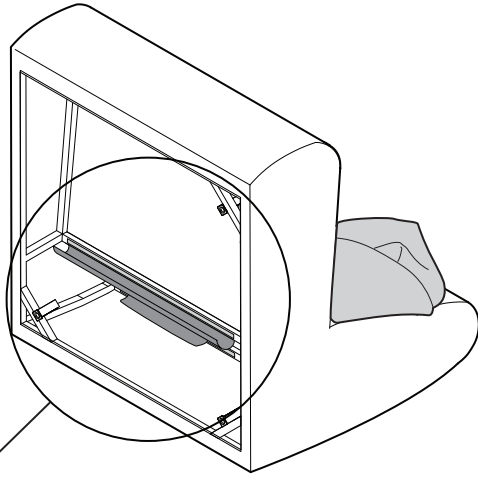
2



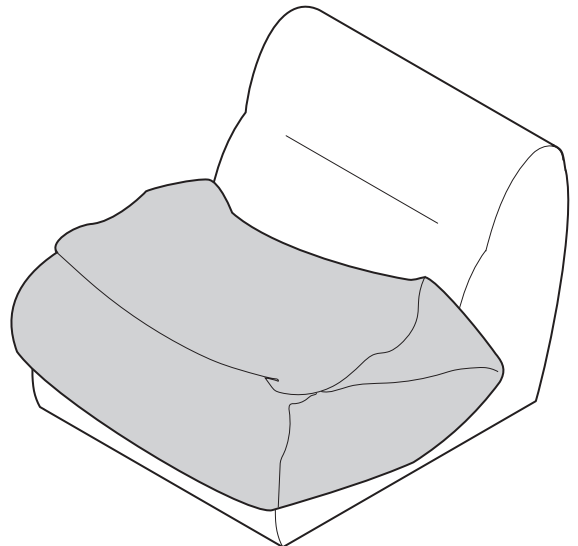
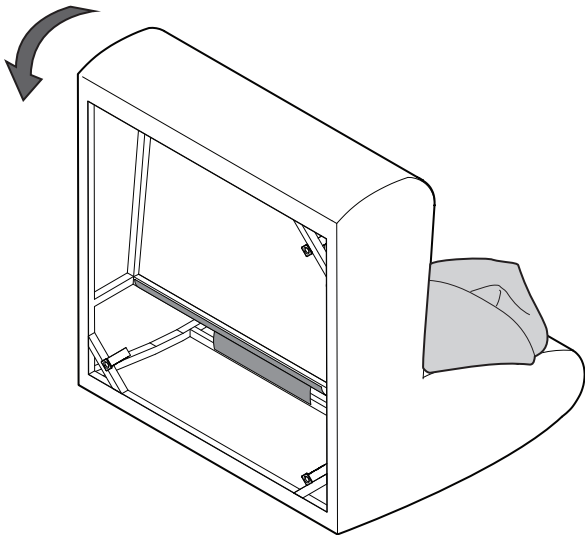
3



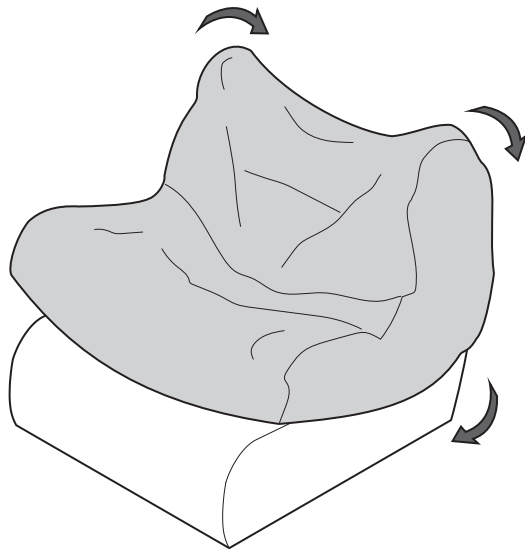
4



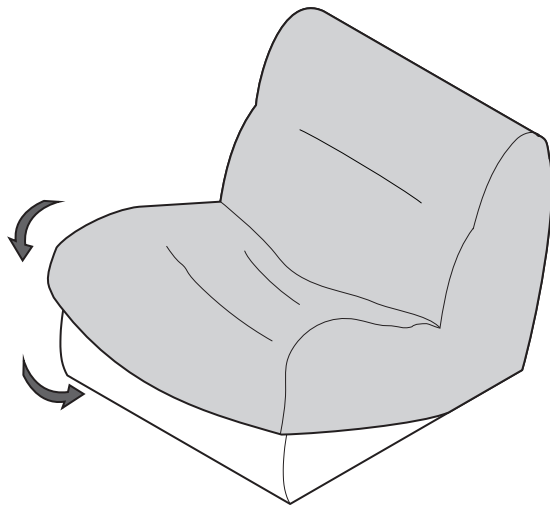
5



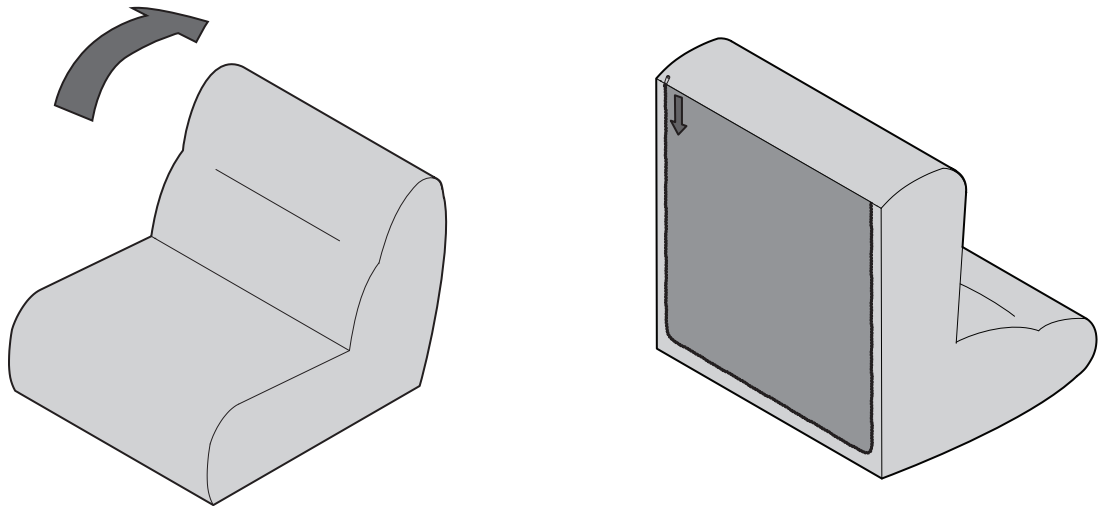
6



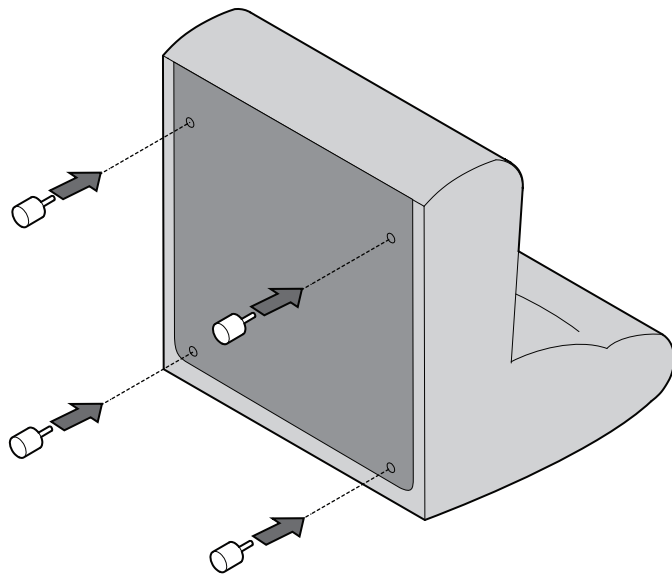
7



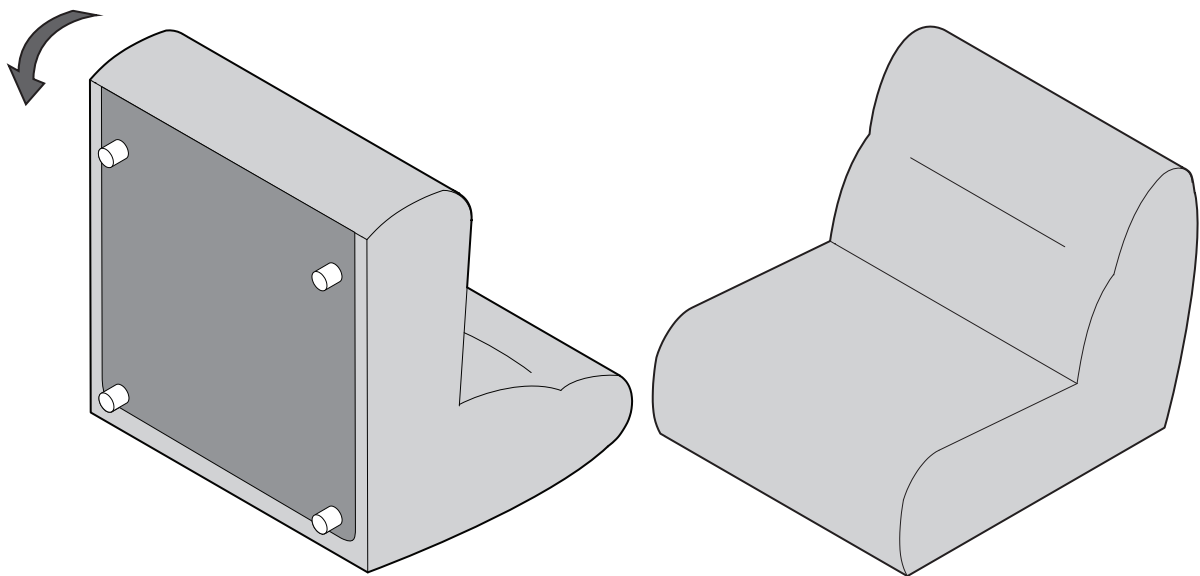
8



9

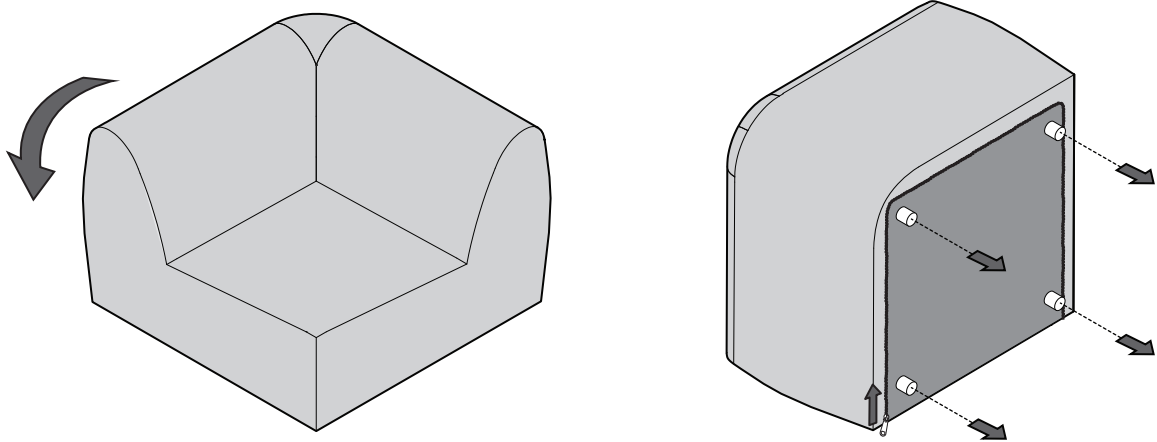


10

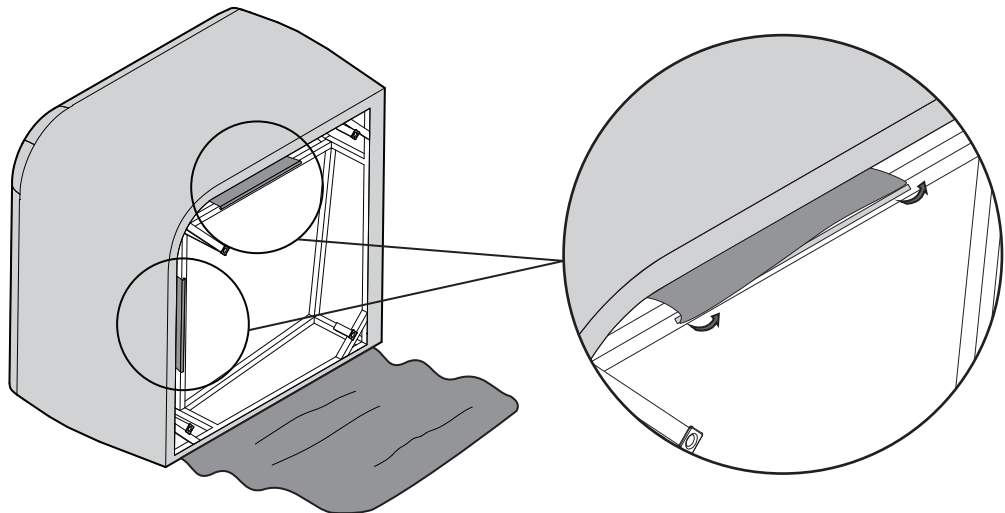


## Cover Removal: Corner

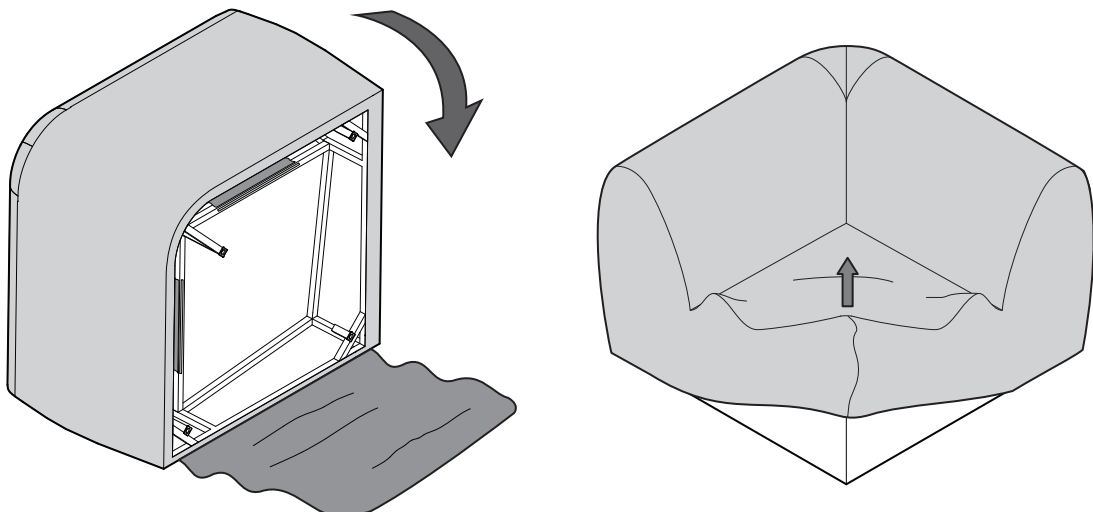
1



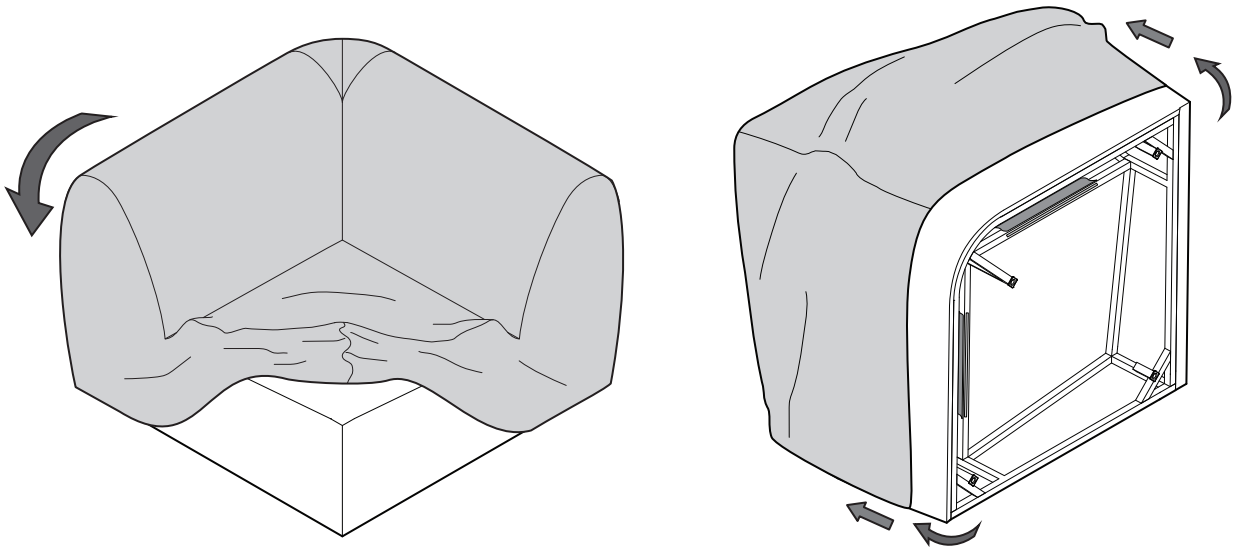
2



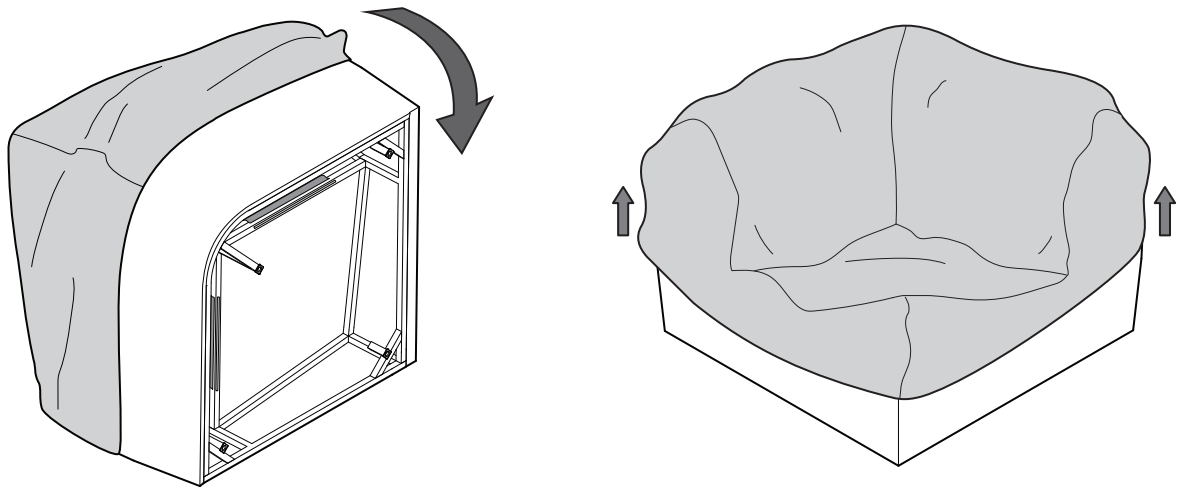
3



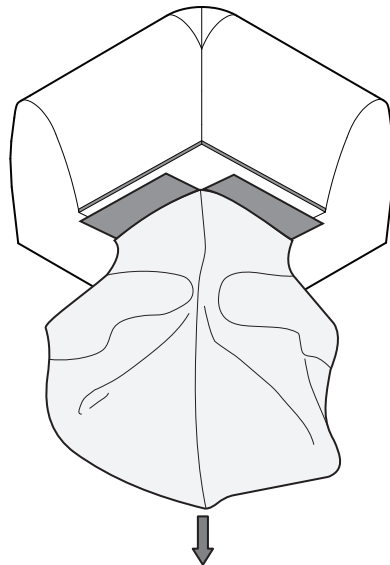
4



5



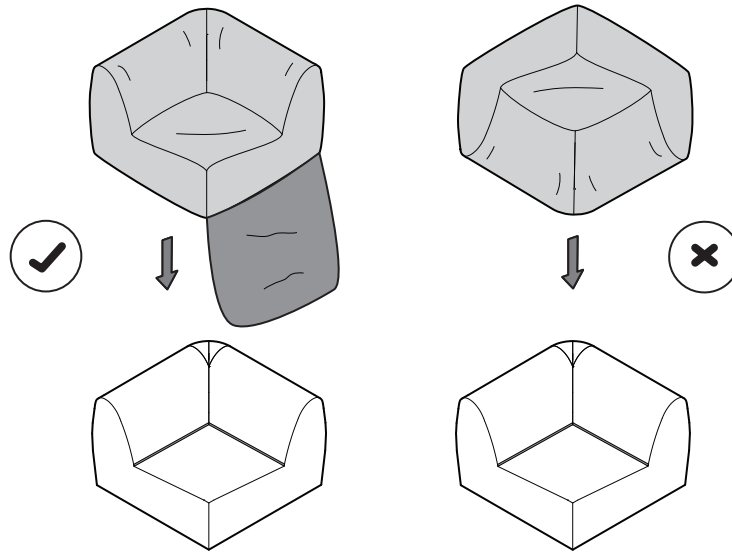
6





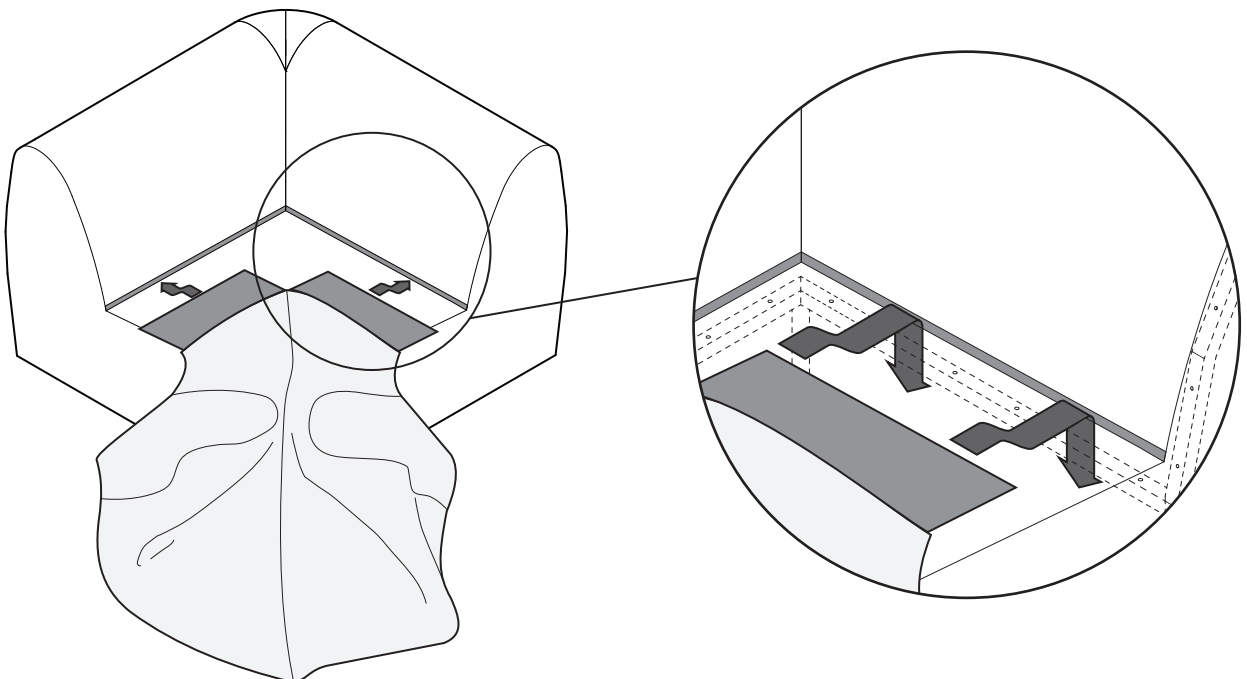
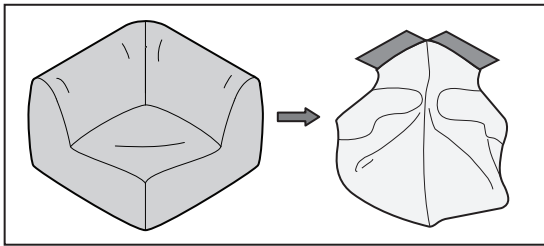
## Cover Installation: Corner

1

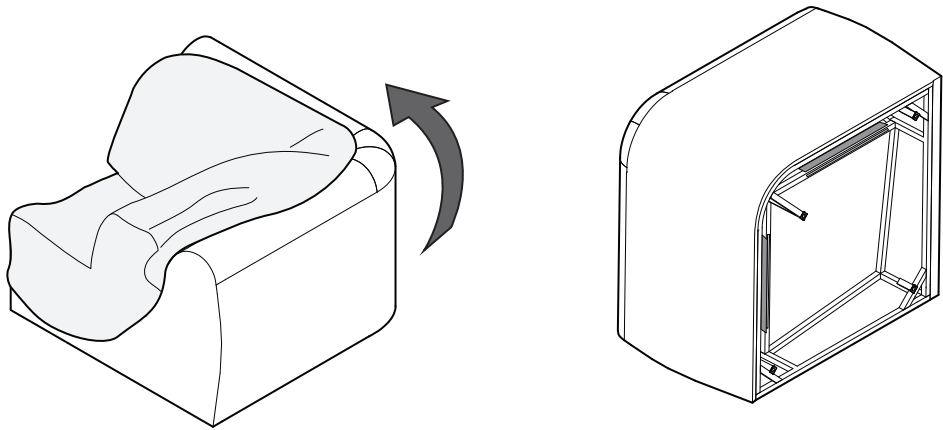


Line up side panels of cover and module before applying cover

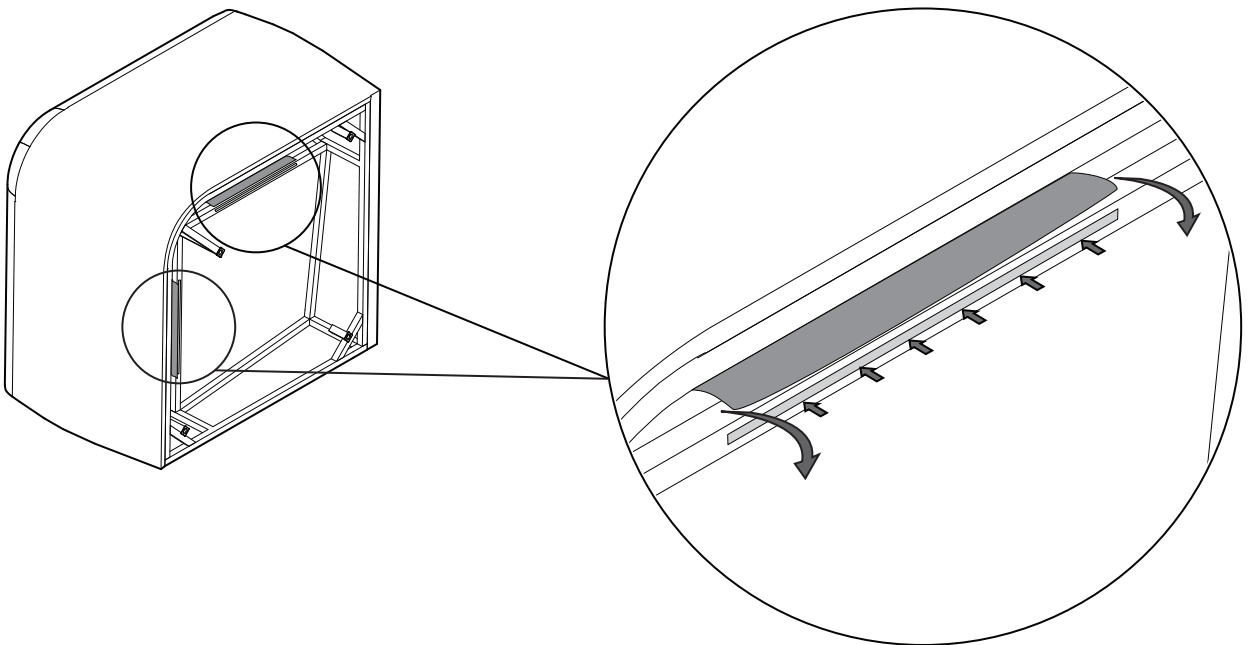
2



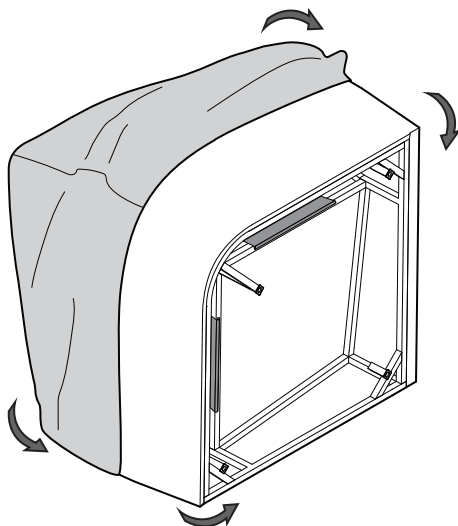
3



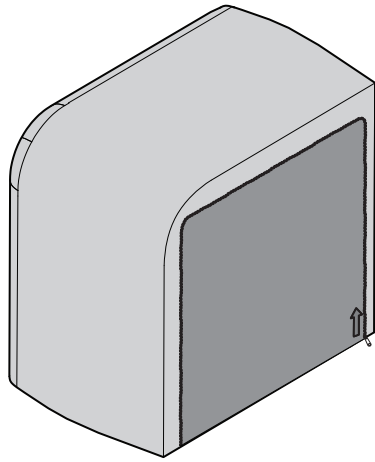
4



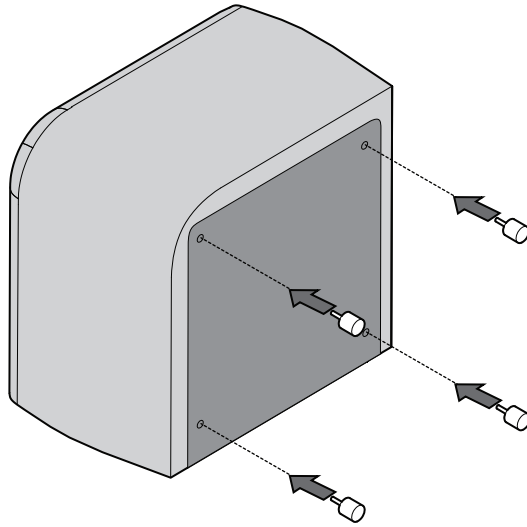
5



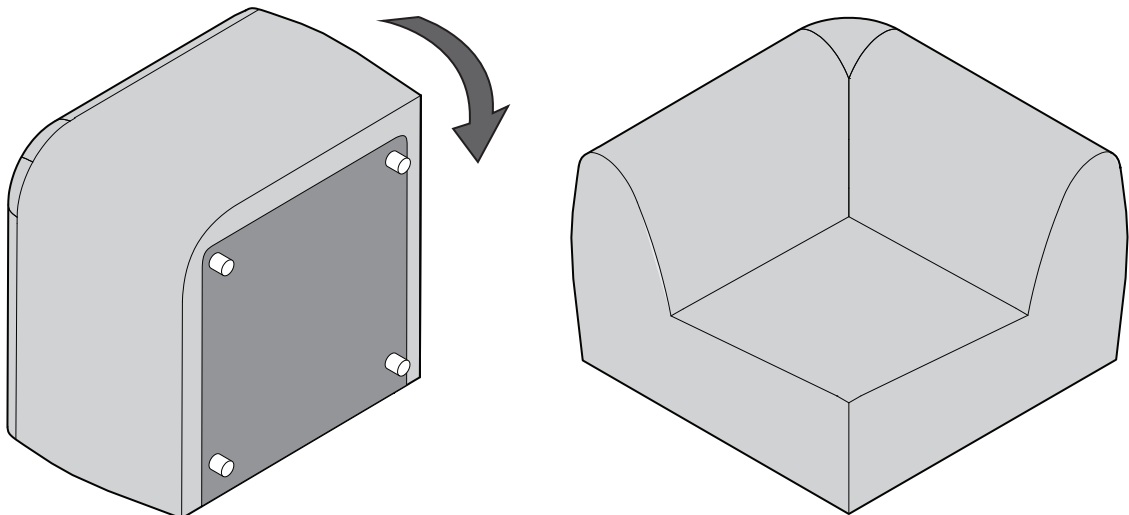
6



7

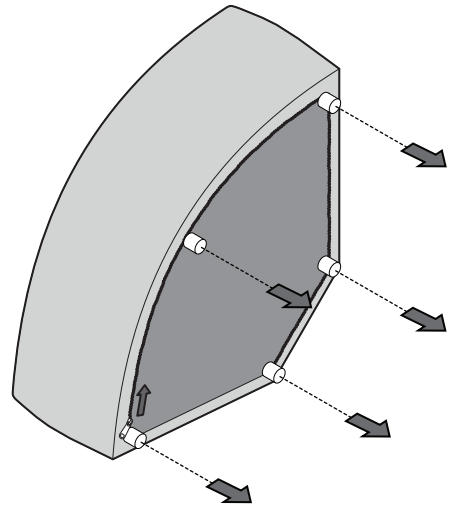
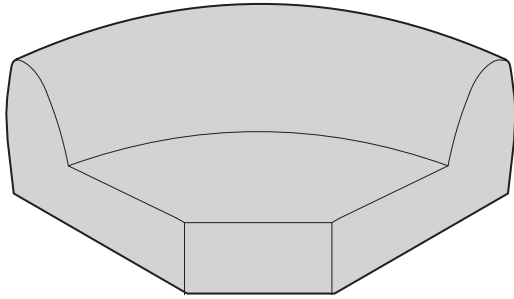


8

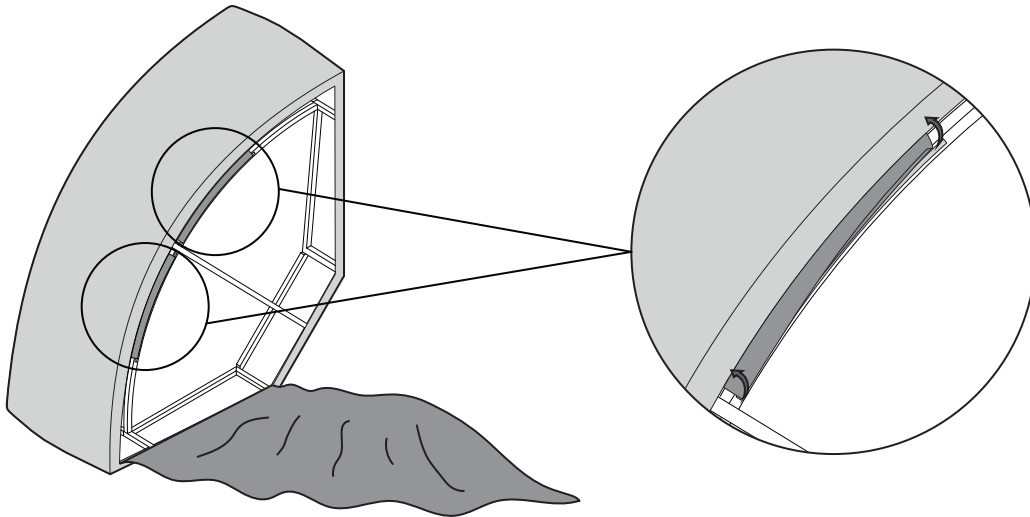


## Cover Removal: Curve

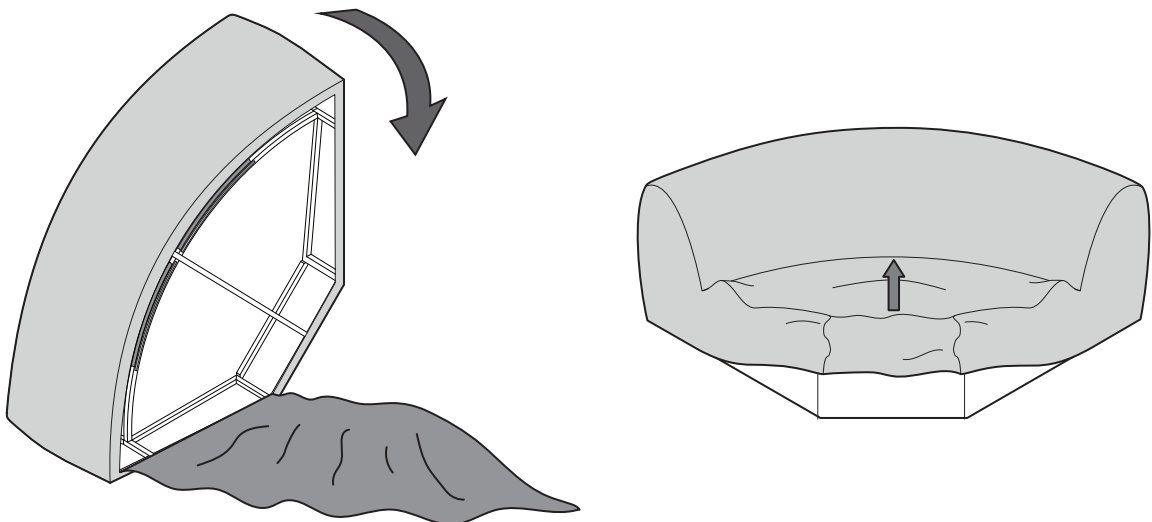
1



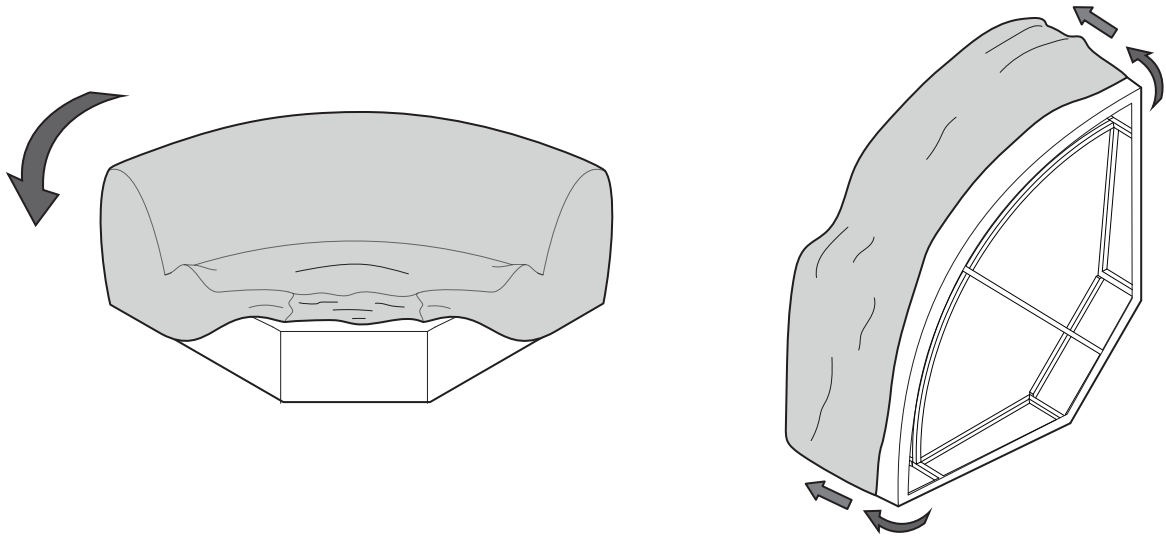
2



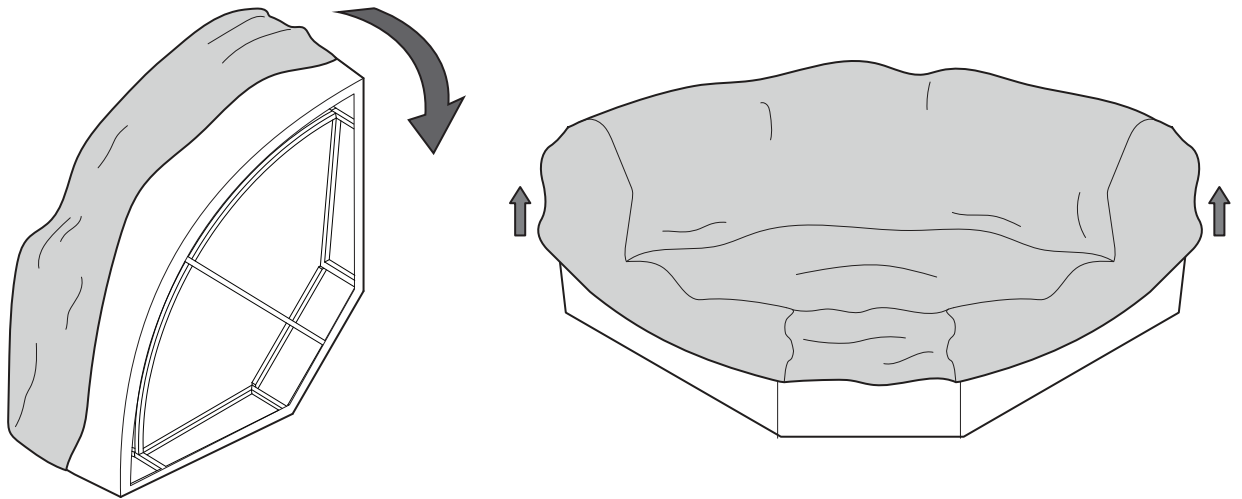
3



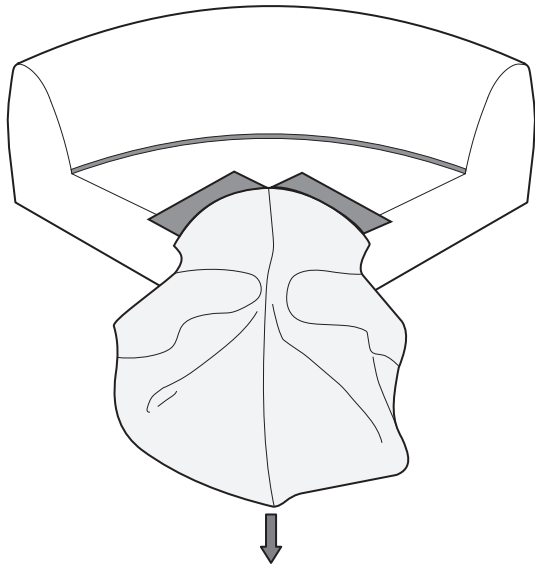
4



5

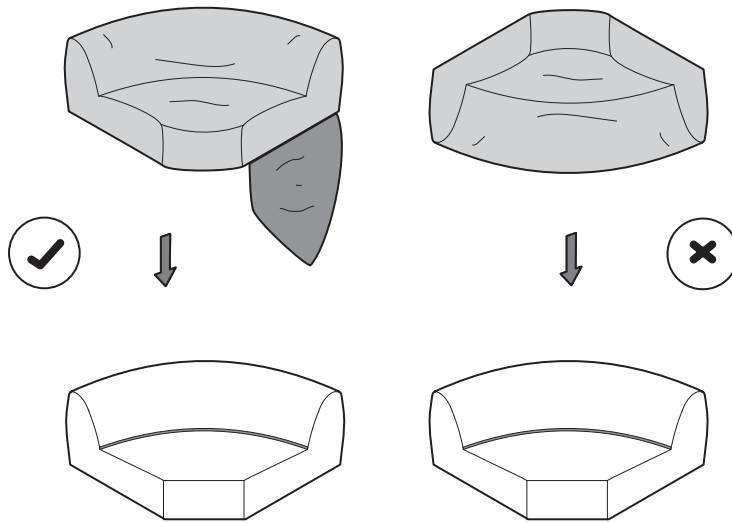


6



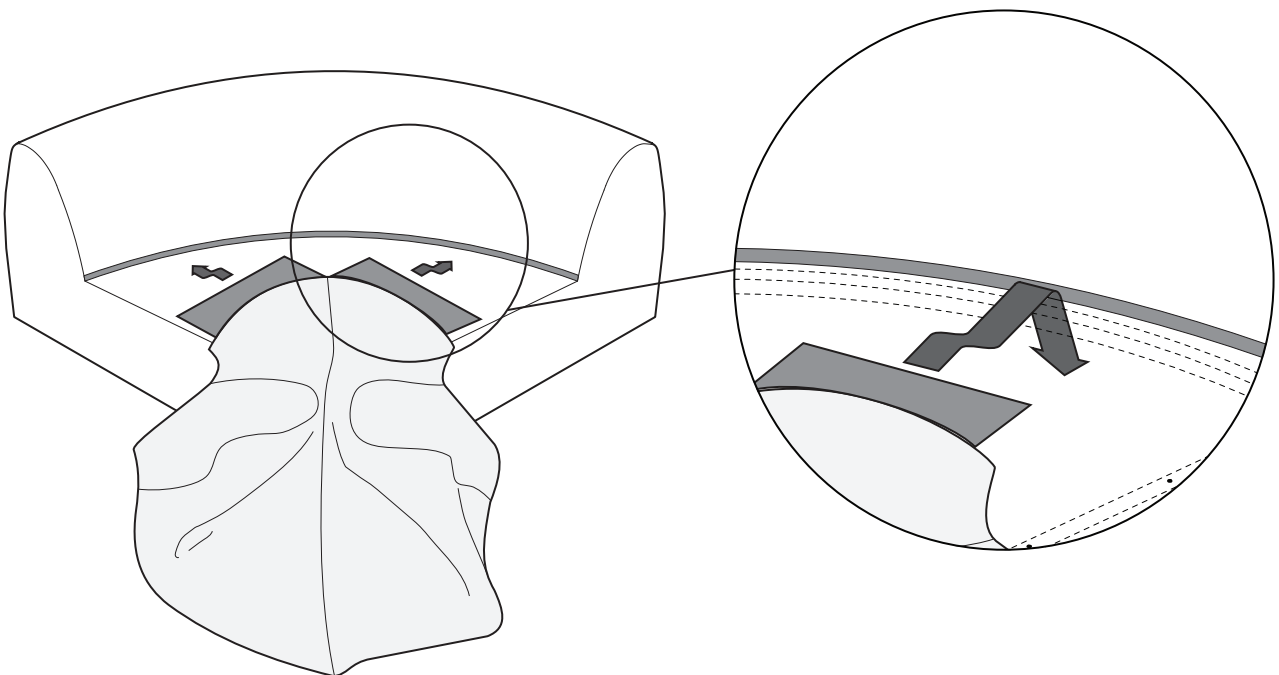
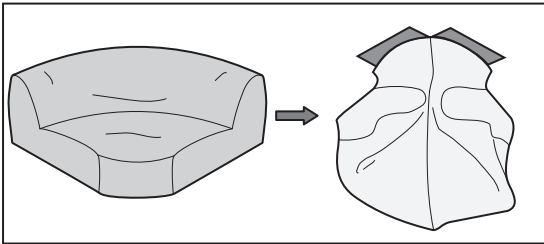
## Cover Installation: Curve

1

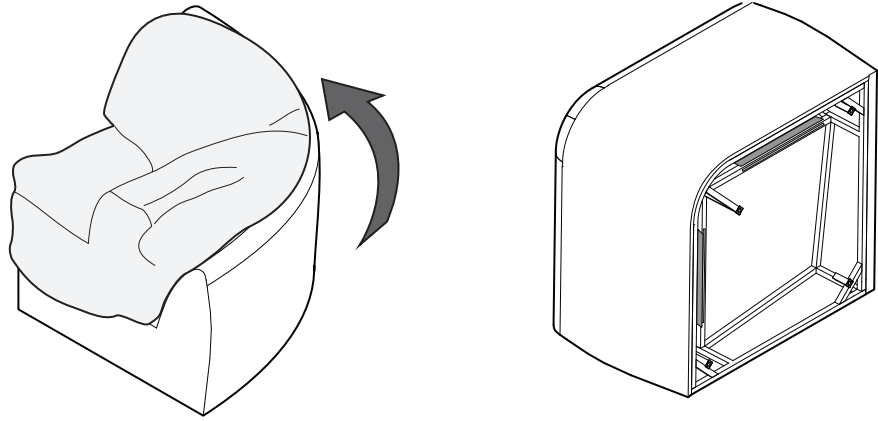


Line up side panels of cover and module before applying cover

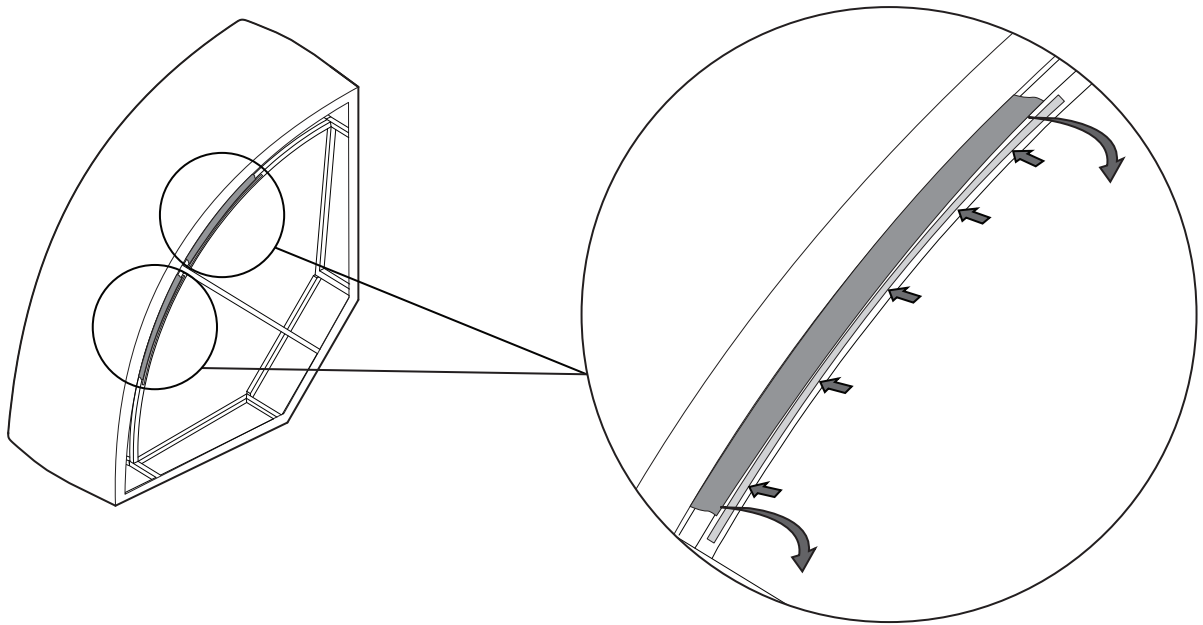
2



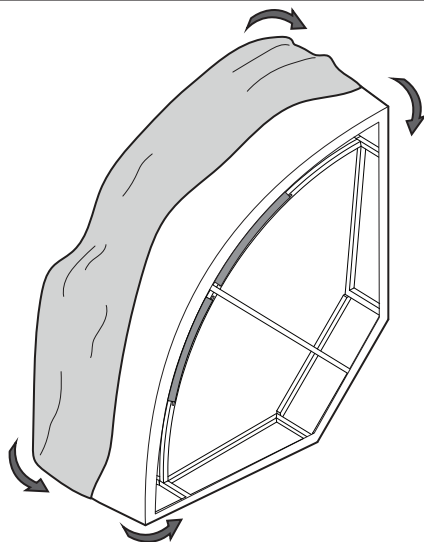
3



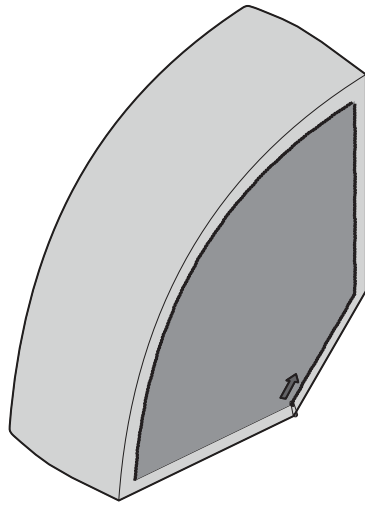
4



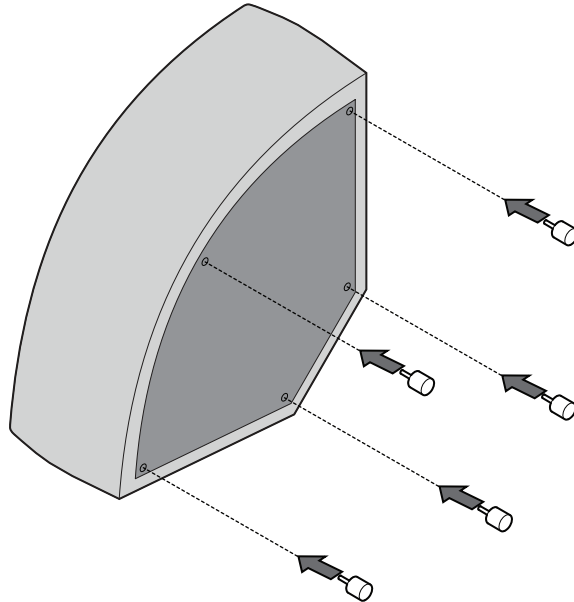
5



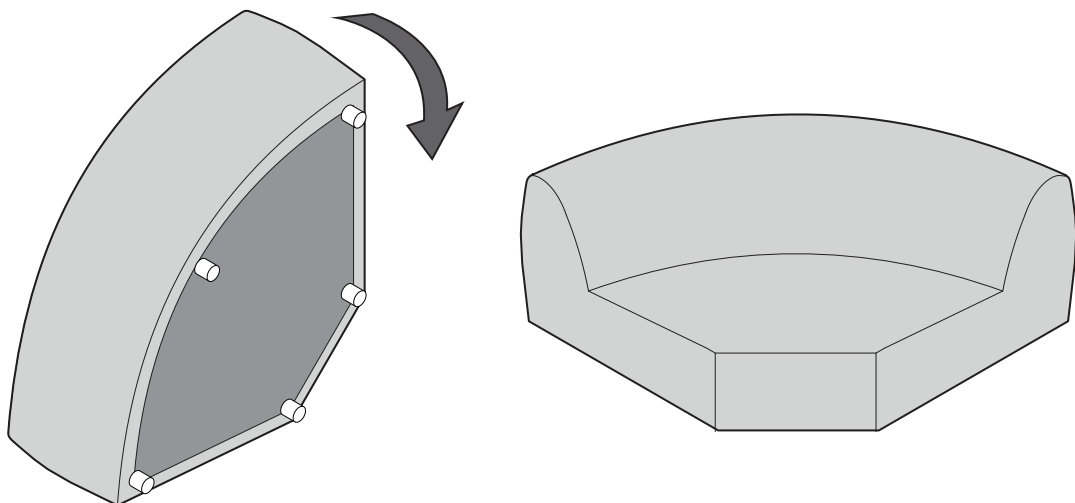
6



7



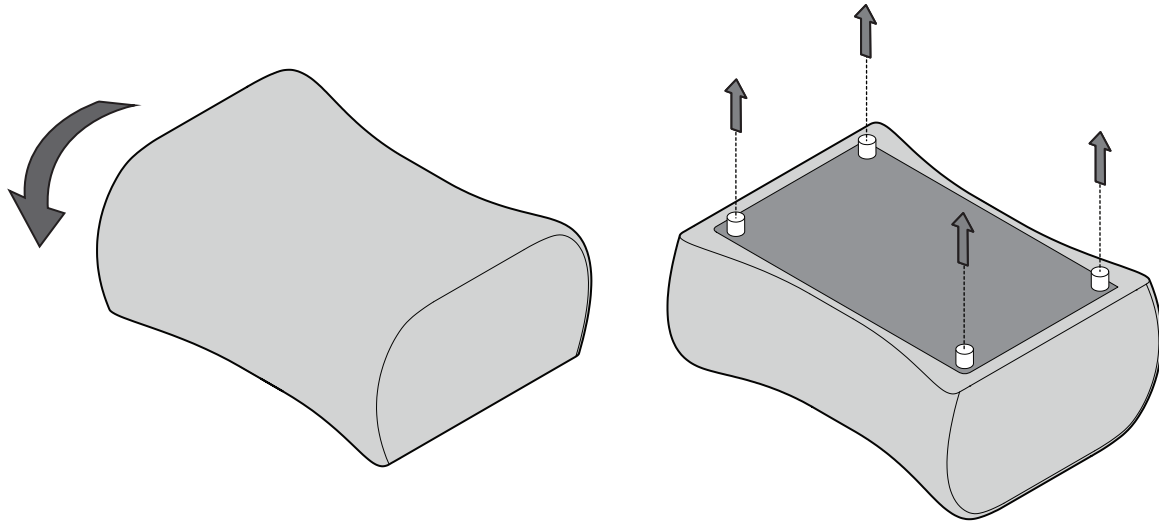
8



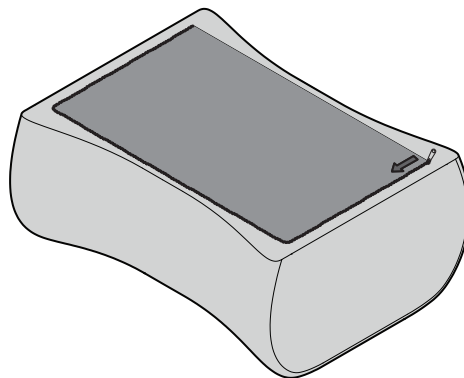


## Cover Removal: Ottoman

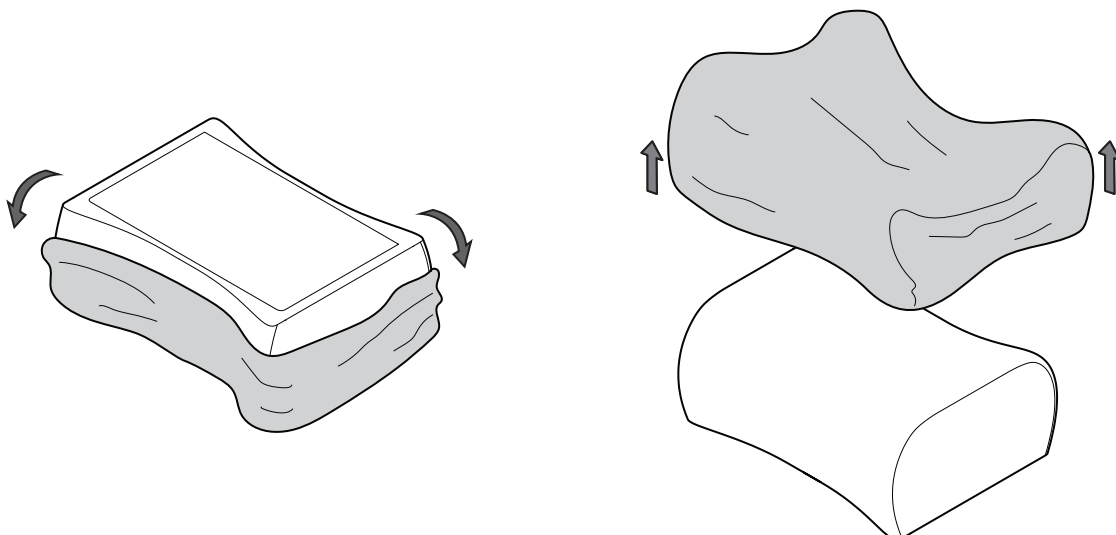
1



2

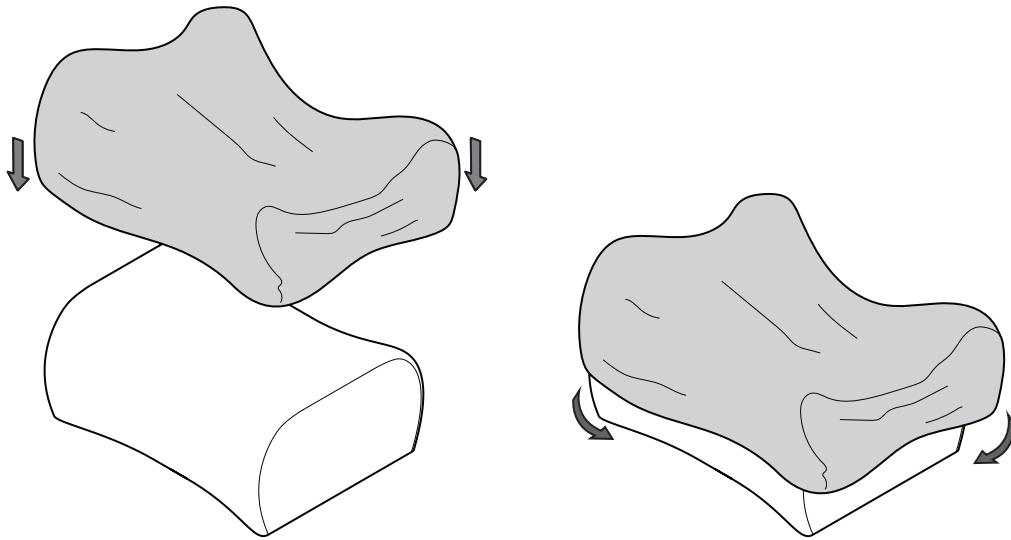


3

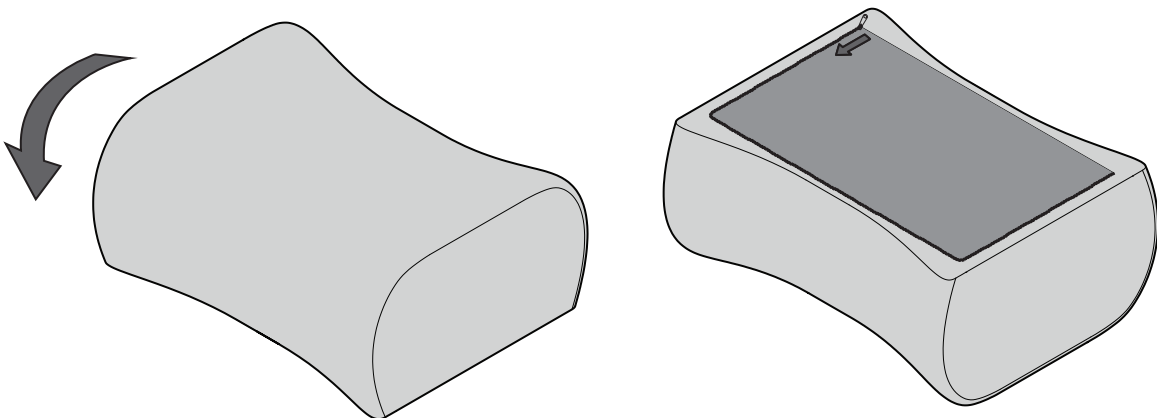


## Cover Installation: Ottoman

1



2



3

