

# King Cloud III

## Instructions for Reclining Sofas

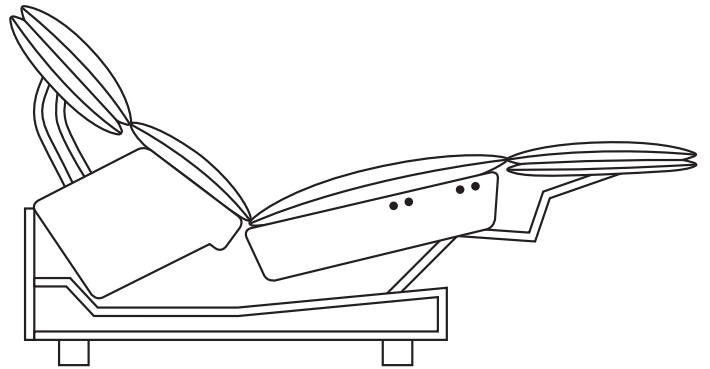
**KING**<sup>®</sup>  
L I V I N G

### Warning

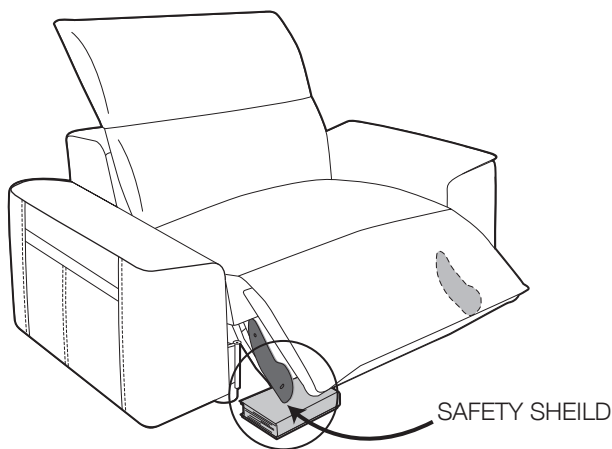
Do not sit on footrest when in open reclined/extended position.

**MAXIMUM LOAD 15 KG.**

Always **RETRACT FOOTREST** prior to standing.



### Obstruction Detection



IF THE RECLINER DOESN'T CLOSE,  
THERE MAY BE AN OBSTRUCTION  
INTERFERING WITH THE SAFETY SHIELD

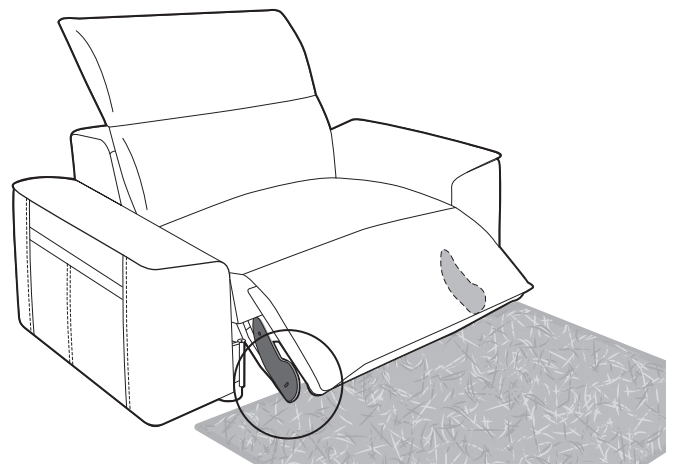


**REMOVE OBSTRUCTION  
BEFORE FURTHER OPERATION**



**THE SAFETY SHIELD MAY ALSO  
BE TRIGGERED BY A THICK RUG  
UNDER THE SOFA.**

IF THE RUG CANNOT BE MOVED  
OUT OF THE WAY OF THE SAFETY SHIELD,  
PLEASE CONTACT CUSTOMER SERVICE



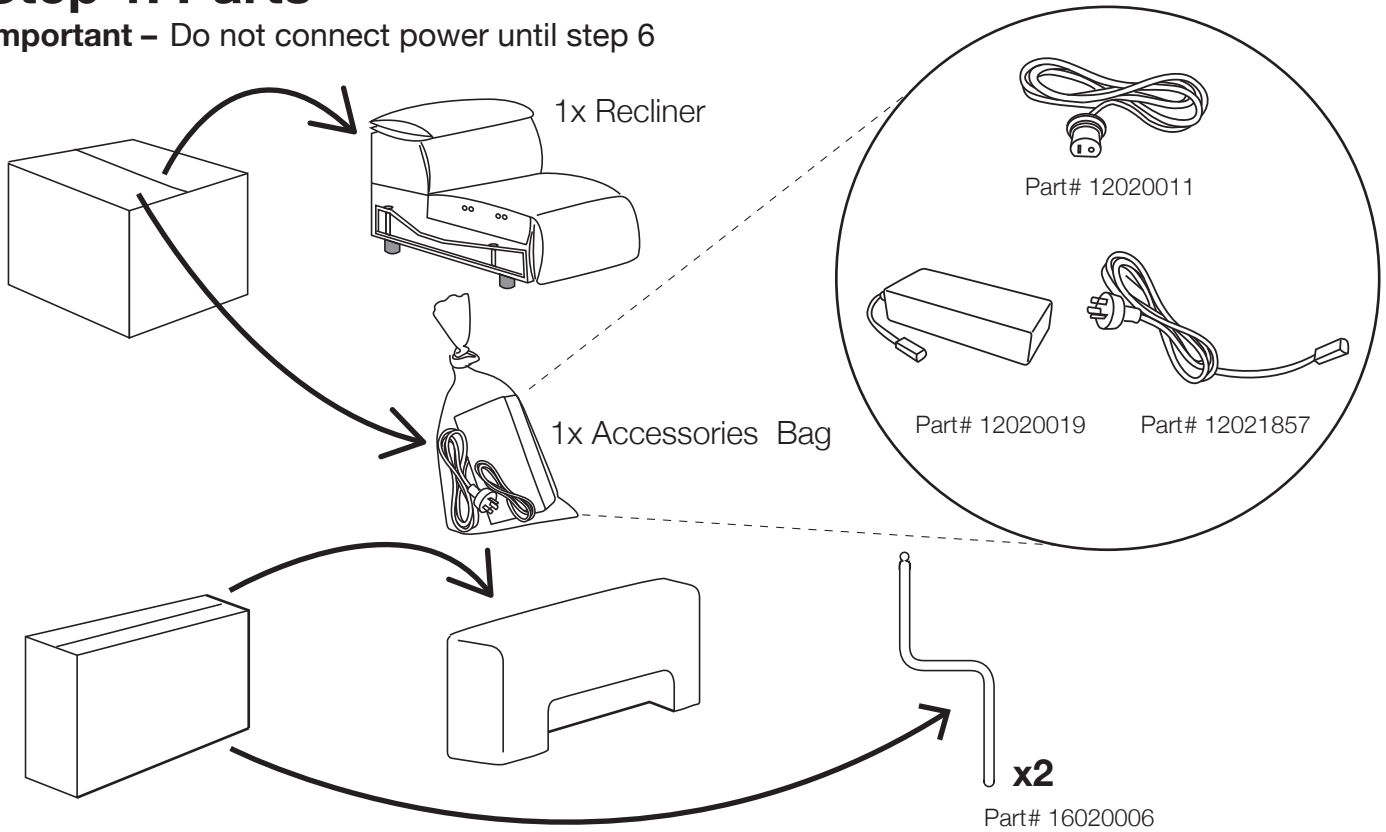
# King Cloud III

## Quick Start Guide | Setup

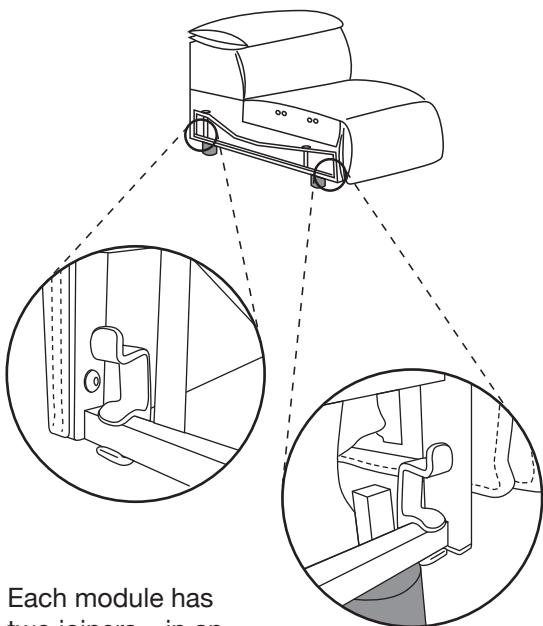
**KING**<sup>®</sup>  
L I V I N G

### Step 1: Parts

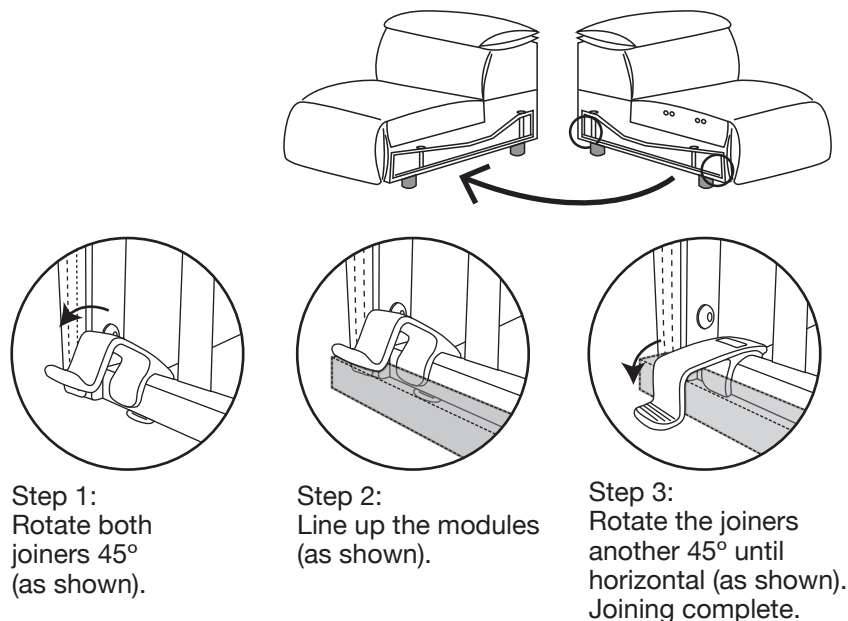
**Important** – Do not connect power until step 6



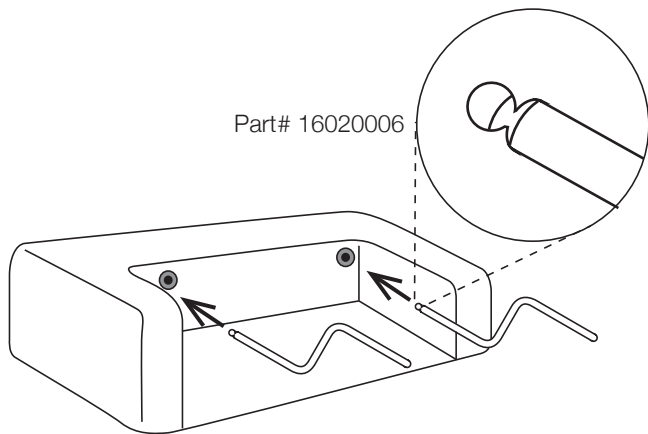
### Step 2: Join Modules



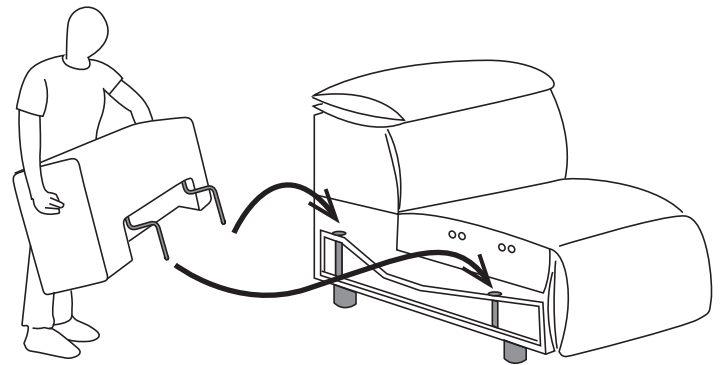
Each module has two joiners – in an upright position.



## Step 3: Assembling Arms



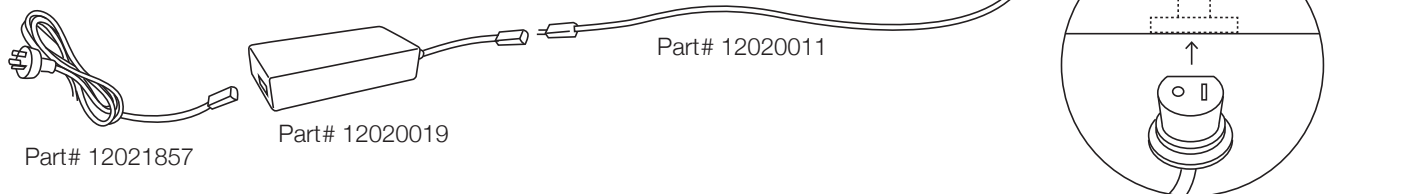
## Step 4: Assembling Arms



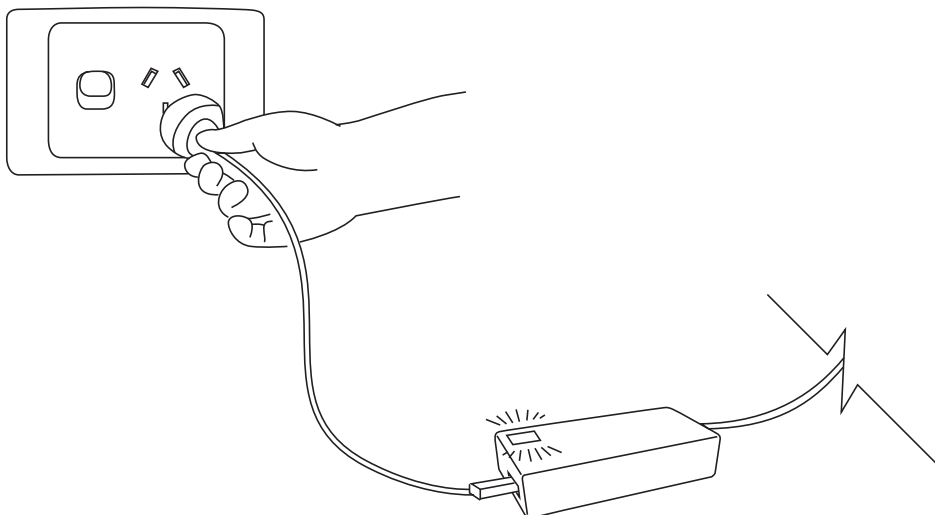
## Step 5: Connect Power Cables

### Important

- Do not connect King Cloud III to power until arms are assembled and modules connected.
- Every recliner must be connected to its own power supply.



## Step 6: Connect King Cloud III to Power

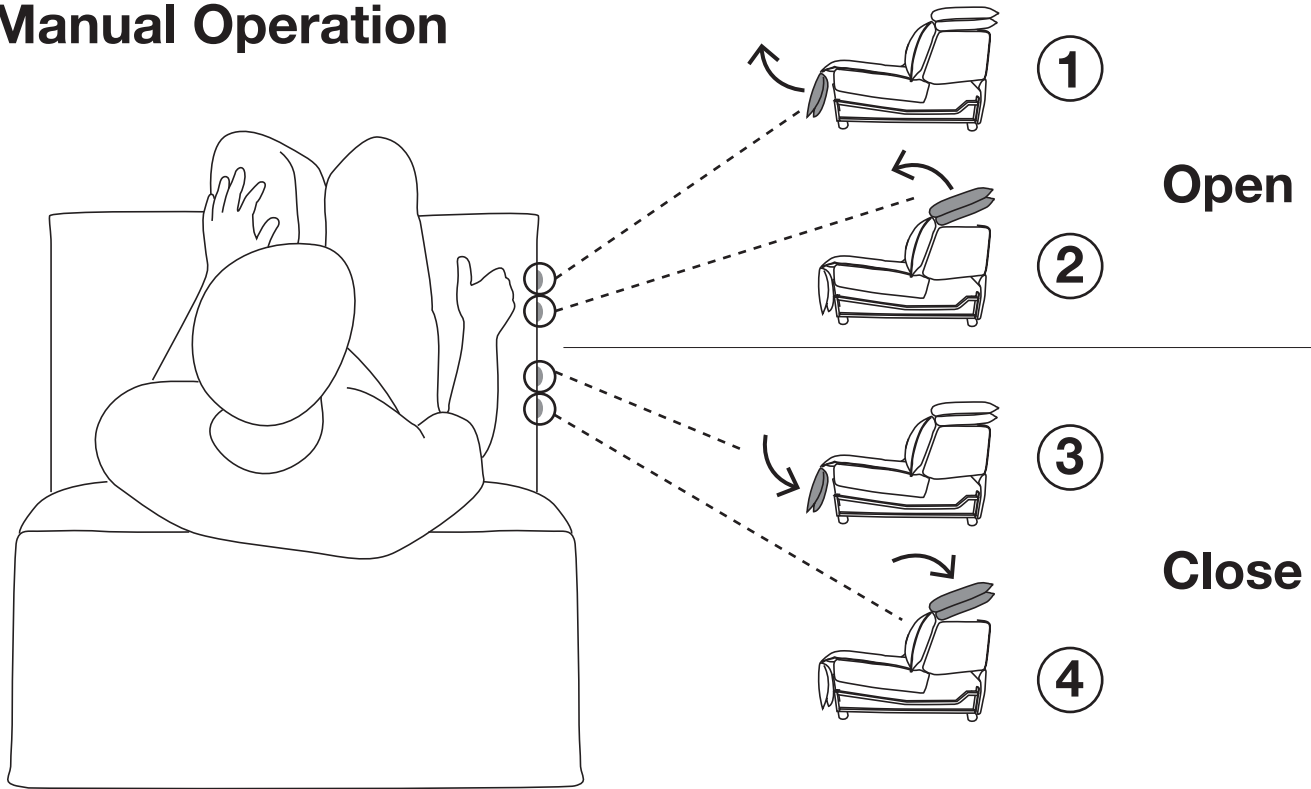


# King Cloud III

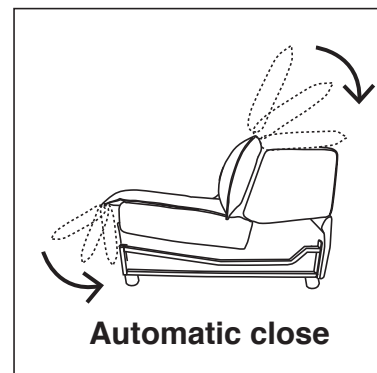
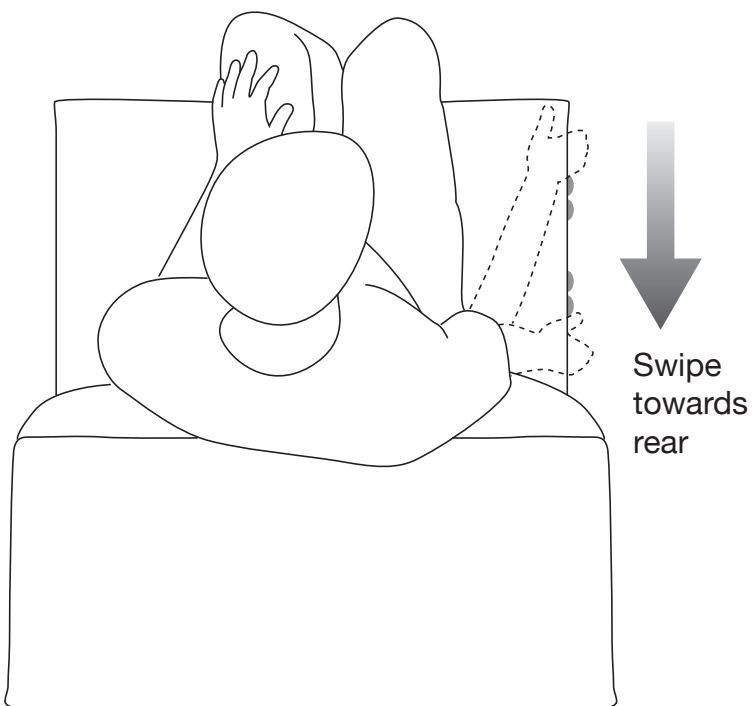
## Quick Start Guide | Operation

**KING**<sup>®</sup>  
L I V I N G

### Manual Operation



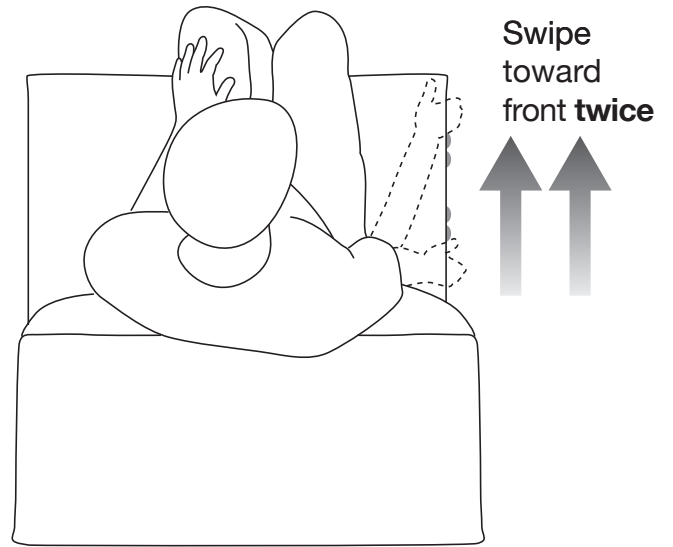
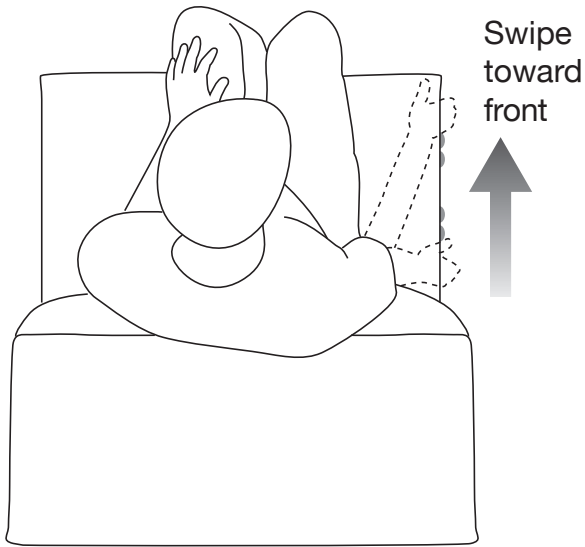
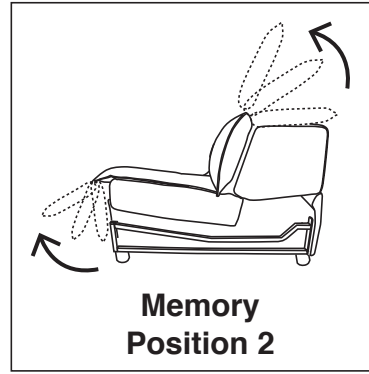
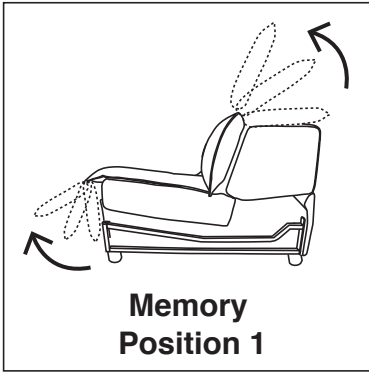
### Automatic Close



#### Important

This should be completed everytime the power supply is connected or interrupted.

# Memory Position Recall



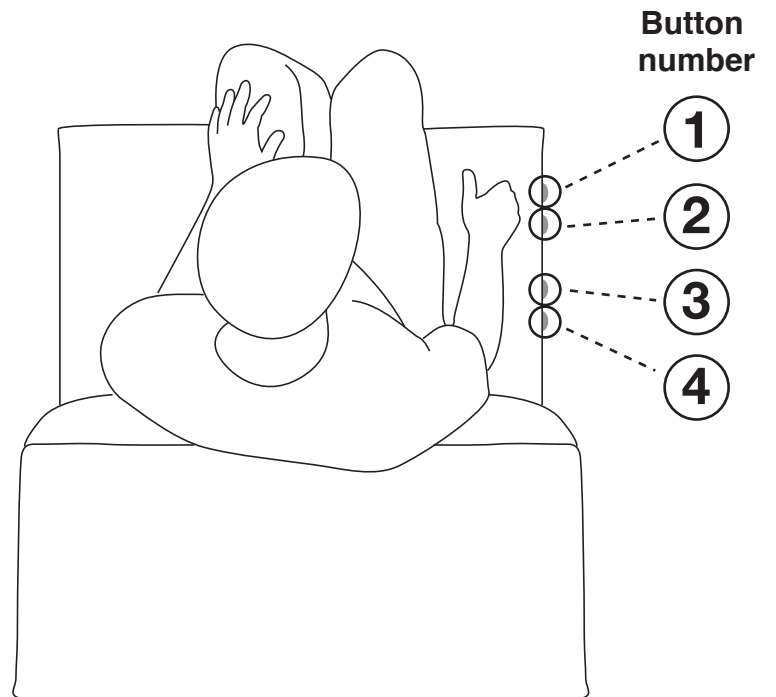
## Set Memory Positions

Manual adjust to desired position

**Set memory Position 1:**  
Press and hold Button ① and ③ for 8 seconds

**Set memory Position 2:**  
Press and hold Button ② and ④ for 8 seconds

**Please note:**  
This will overwrite existing memory position.



KING LIVING  
CUSTOMER CARE:  
AUSTRALIA

T 1300 135 464  
E [service@kingliving.com.au](mailto:service@kingliving.com.au)  
W [kingliving.com.au](http://kingliving.com.au)

NEW ZEALAND

T 0800 546 422  
E [service@kingliving.co.nz](mailto:service@kingliving.co.nz)  
W [kingliving.co.nz](http://kingliving.co.nz)

SINGAPORE

T +65 6805 4198  
E [kingcare@kingliving.com.sg](mailto:kingcare@kingliving.com.sg)  
W [kingliving.com.sg](http://kingliving.com.sg)

MALAYSIA

T +603 7732 0272  
E [service@kingliving.my](mailto:service@kingliving.my)  
W [kingliving.my](http://kingliving.my)

# Warning

## Important:

Read the below instructions carefully before assembling and using this product.

### **IMPORTANT: ALWAYS FULLY RETRACT THE FOOTREST BEFORE SITTING IN OR GETTING OUT OF THE RECLINER.**

To avoid damage to your recliner, the reclining function should only be operated when you are seated in the recliner. Any open footrests, which have a 15kg weight limit, must be closed before getting out of or into the seat. Sliding forward over the footrest to get out of the seat or getting into a fully reclined seat may cause damage to the mechanism of the recliner and can result in the sofa tipping forward in extreme cases. This built-in tipping point was specifically designed to preserve the integrity of the mechanism if too much pressure is placed on it and to avoid permanent damage. Damage caused by improper use of Recliners will not be covered under Warranty.

- Do not allow children to play with or on the unit or allow children to use the unit unsupervised. Serious injury or death could occur if head or body parts are trapped within or under the unit while it is being operated.
- Ensure children and pets are at a safe distance from the unit when operating the electric mechanism / moving parts.
- Keep hands and feet clear of moving parts at all times.
- Each unit should be operated only by the person sitting on it.
- Only use the electronic mechanism to operate the unit. Do not attempt to open the footrest by pulling on it.
- Always leave the unit in an upright and closed position when not in use to avoid children and pets crawling into any open cavities and becoming trapped under moving parts.
- Always disconnect the electrical cord attached to the unit from power before cleaning or moving the unit or when not in use for an extended period.
- Ensure the unit is clear of walls, furniture and other obstructions that may interfere with a clear path for operation. Ensure that no objects are left under the unit to avoid interference with the internal mechanisms.
- Do not use the unit if it is wet, in water, or around water or any liquid. Keep liquids away from unit. If liquids are spilled on the unit, disconnect from power immediately and wait until the spill is completely dry before reconnecting to power. Do not handle the plug or electric controls with wet hands.
- This product is for indoor residential use only.
- Use only a slightly damp cloth to clean metal parts of the mechanism. Before cleaning ensure the furniture has been disconnected from its power source.
- Ensure electrical wires are free from obstruction and not twisted or trapped. If any wires are damaged, turn off power supply and call King-Care.
- Do not attempt to disassemble or service the internal mechanism, motor or other parts. No customer serviceable parts inside.

**KING LIVING  
CUSTOMER CARE:**

**AUSTRALIA:**

T 1300 135 464  
E [service@kingliving.com.au](mailto:service@kingliving.com.au)  
W [kingliving.com.au](http://kingliving.com.au)

**NEW ZEALAND:**

T 0800 546 422  
E [service@kingliving.co.nz](mailto:service@kingliving.co.nz)  
W [kingliving.co.nz](http://kingliving.co.nz)

**SINGAPORE:**

T +65 6805 4198  
E [kingcare@kingliving.com.sg](mailto:kingcare@kingliving.com.sg)  
W [kingliving.com.sg](http://kingliving.com.sg)

**MALAYSIA:**

T +603 7732 0272  
E [service@kingliving.my](mailto:service@kingliving.my)  
W [kingliving.my](http://kingliving.my)

# King Cloud III

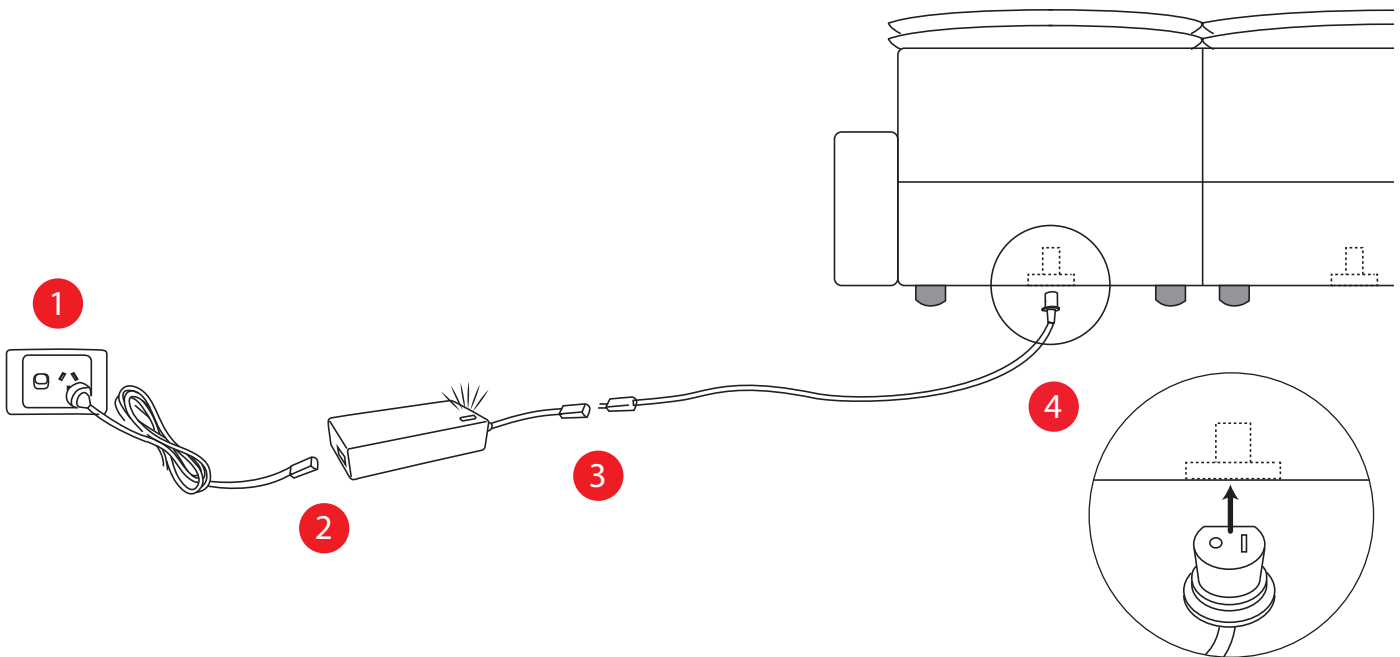
## Customer FAQs

**KING**<sup>®</sup>  
L I V I N G

### **1 Why doesn't my recliner module respond when a button is touched?**

Your recliner module may not be connected to power. Follow these steps:

- 1) Ensure the power cable is plugged into the power socket and the power socket is switched ON
- 2) Ensure the power cable is connected to the power supply and the LED on the power supply is illuminated green
- 3) Ensure the extension power cable is connected to the power supply
- 4) Ensure the extension power cable is correctly plugged into the rear of the recliner module
- 5) If the recliner module still doesn't respond when you touch a button, continue below.



Your power supply may have overheated. Follow these steps:

- 1) Turn power OFF at the power socket, unplug power cable and wait for 15 minutes
- 2) Re-connect power cable and turn power ON at the power socket
- 3) Check that the light on the power supply is illuminated green
- 4) If the recliner module still doesn't respond when a button is touched, contact King Living Customer Care.

# King Cloud III

## Customer FAQs

**KING**<sup>®</sup>  
L I V I N G

### 2 Why aren't the seams on my recliner modules sitting straight?

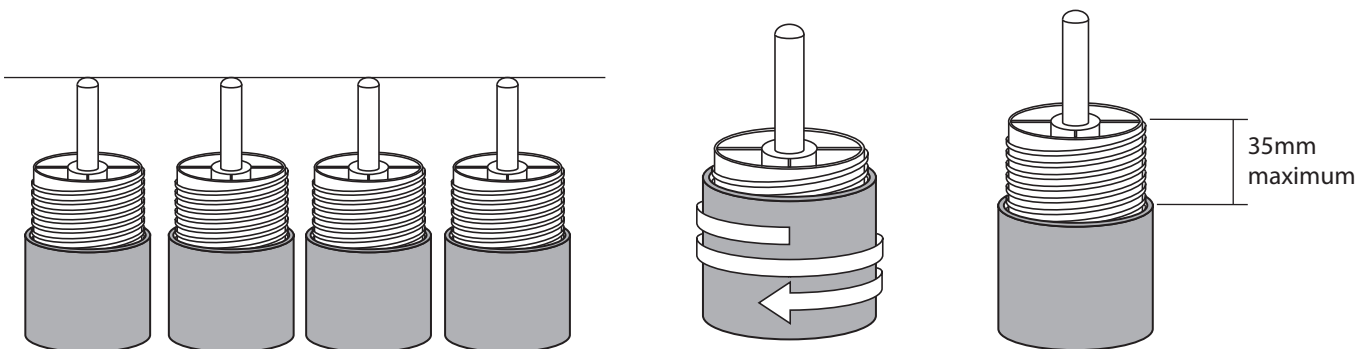
For enhanced comfort King Cloud III uses a soft multi-layered cushioning system. The soft nature of these layers means that the seams on one recliner module may not perfectly align with the seams on another recliner module.

If there is a significant misalignment between recliner modules, they may be sitting at different heights. See FAQ 3 for more details.

### 3 Why does one recliner module sit higher or lower than another recliner module?

The adjustable feet on your recliner modules may be set to different heights. Follow these steps.

- 1) Turn power OFF at the power socket for each recliner module
- 2) Tilt each recliner module until they are lying on their backs
- 3) Adjust leg heights by rotating in a clockwise or anti-clockwise direction. Ensure the legs on all recliner modules are adjusted to the same height
- 4) Lower each recliner module onto its legs
- 5) Turn power ON at the power socket for each recliner module and ensure that the recliner modules are still connected to power (see FAQ 1 for more details)
- 6) Check the Setup section of your Quick Start Guide for instructions on how to correctly join the King Cloud III modules back together.



**NOTE:** If your recliner module has not been fitted with adjustable legs, contact King Living Customer Care.



# King Cloud III

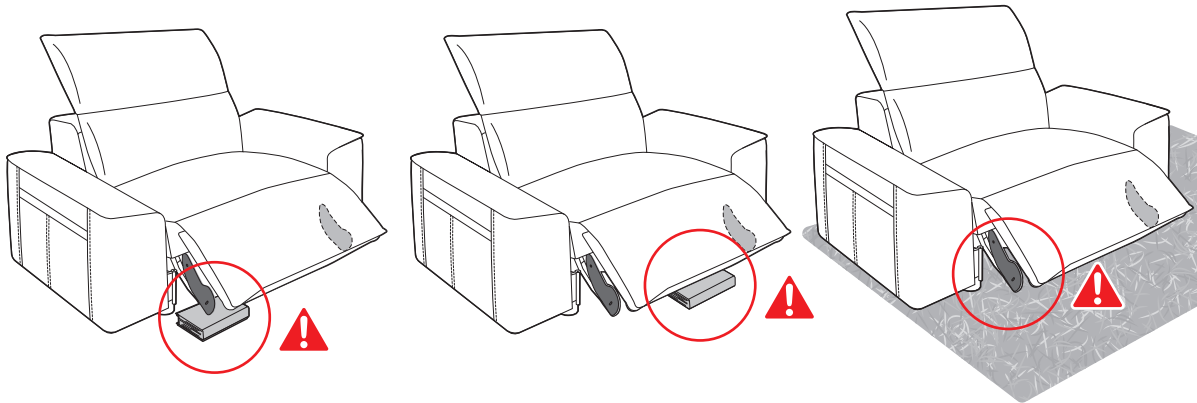
## Customer FAQs

**KING**<sup>®</sup>  
L I V I N G

### 4 Why won't the footrest of my recliner module close?

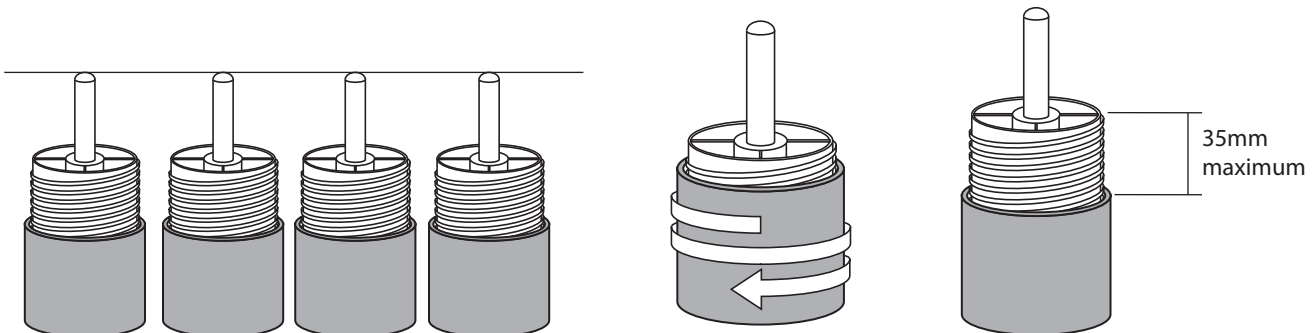
The footrest on your recliner module will not close if the safety system detects an object under the footrest. Follow these steps.

- 1) Remove any objects from underneath the footrest such as toys or books.
- 2) If the footrest still doesn't close, continue below



Your recliner module may be sitting on a thick carpet or rug which is activating the safety system. Follow these steps to raise your recliner above the carpet or rug.

- 1) Turn power OFF at the power socket for each recliner module
- 2) Tilt recliner module until it is lying on its back
- 3) Increase leg heights by rotating each leg in an anti-clockwise direction. Ensure all legs are adjusted to the same height
- 4) Lower recliner module onto carpet/rug
- 5) Turn power ON at the power socket for each recliner module. Ensure that the recliner modules are still connected to power (see FAQ 1 for more details)
- 6) If your recliner module's footrest still doesn't close, contact King Living Customer Care.



**NOTE:** If your recliner module has not been fitted with adjustable legs, contact King Living Customer Care.

# King Cloud III

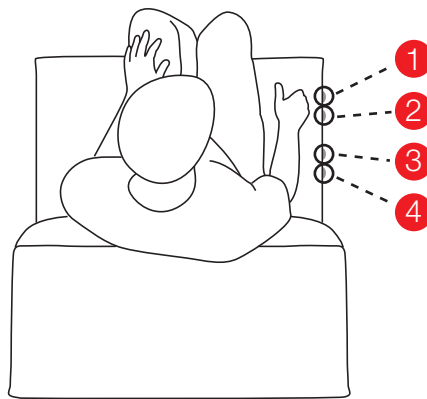
## Customer FAQs

**KING**<sup>®</sup>  
L I V I N G

### 5 Why can't my recliner module's memory positions be programmed or recalled?

The power to your recliner module may have been interrupted and therefore the home position needs to be reset. Follow these steps

- 1) Touch and hold buttons 3 and 4 for 15 seconds. **NOTE:** It is important to touch the buttons for the full 15 seconds
- 2) Set and recall memory positions as per the operation section of the Quick Start Guide
- 3) If your memory positions still cannot be set or recalled, contact King Living Customer Care.



### 6 Why do my recliner modules have gaps between them?

Your recliner module is brand new and needs to be used in order to wear in the soft cushioning. After several weeks of use any gaps between your recliner modules will reduce. If the gaps don't reduce over time, continue below.

Your recliner modules may not be correctly joined together. Follow these steps.

- 1) Turn power OFF at the power socket for each recliner module
- 2) Check the Setup section of your Quick Start Guide for instructions on how to correctly join your King Cloud III modules
- 3) Turn power ON at the power socket for each recliner module
- 4) If your recliner modules still have gaps between modules, contact King Living Customer Care.

# King Cloud III

## Customer FAQs

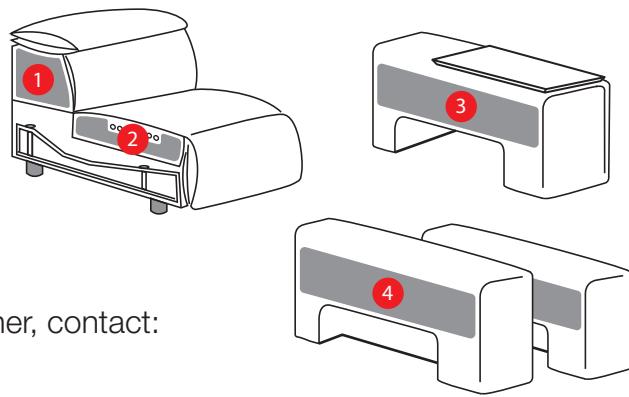
**KING**<sup>®</sup>  
L I V I N G

### 7 Why is my leather recliner module making a rubbing noise during operation?

During operation a rubbing noise may be present as the leather surfaces of your recliner modules slide past one another. Applying King-Care Leather Conditioner will not only ensure the soft, luxurious feel of your leather is maintained, but will allow the surfaces to move freely over each other and reduce any rubbing noises.

Apply King-Care Leather Conditioner to:

- 1) The sides of the lumbar
- 2) The sides of the seats
- 3) The sides of the media consoles
- 4) The insides of the arms



#### NOTE:

If you do not have King-Care Leather Conditioner, contact: King Living Customer Care.

### 8 Why does my leather recliner module have slight wrinkles?

The King Cloud III is a luxurious, soft cushioned design which has been engineered for comfort. The multi-layered cushioning system combined with the natural stretch of high quality, soft European leathers will result in some slight wrinkling of your recliner module covers – this is perfectly normal.

### 9 Can I Open/Close the Headrest or Footrest manually?

If the Footrest or Headrest is stuck in the open or closed position, they can be manually operated by disabling the IR Function of the DMC. **Please Note:** This disables the Safety Shield Obstruction Detection Function. **Important:** Always check for obstructions before disabling the IR Function.

#### TO DISABLE THE IR FUNCTION OF THE DMC:

- Press & Hold Buttons 1 & 4 for 30 Seconds
- Release Buttons: IR Function is Disabled
- You can Manually Open/Close Recliner
- **Safety Shield Function is Disabled**

#### TO RESET DMC TO FACTORY DEFAULT:

- Disconnect Power Supply for 5 Seconds
- Reconnect to Power Supply & Switch On
- DMC is Reset to Factory Default
- **Safety Shield Function Restored**

KING LIVING  
CUSTOMER CARE:

AUSTRALIA  
T 1300 135 464  
E [service@kingliving.com.au](mailto:service@kingliving.com.au)  
W [kingliving.com.au](http://kingliving.com.au)

NEW ZEALAND  
T 0800 546 422  
E [service@kingliving.co.nz](mailto:service@kingliving.co.nz)  
W [kingliving.co.nz](http://kingliving.co.nz)

SINGAPORE  
T +65 6805 4198  
E [kingcare@kingliving.com.sg](mailto:kingcare@kingliving.com.sg)  
W [kingliving.com.sg](http://kingliving.com.sg)

MALAYSIA  
T +603 7732 0272  
E [service@kingliving.my](mailto:service@kingliving.my)  
W [kingliving.my](http://kingliving.my)